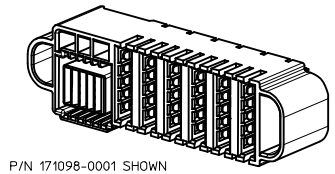
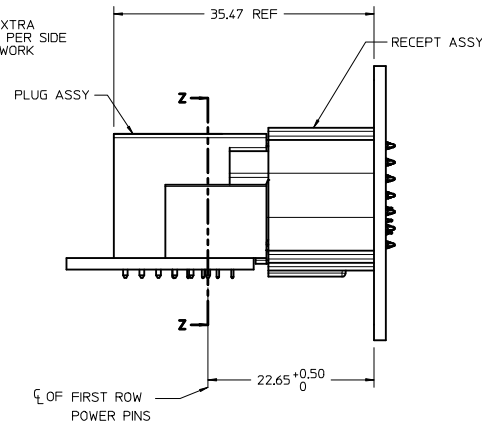
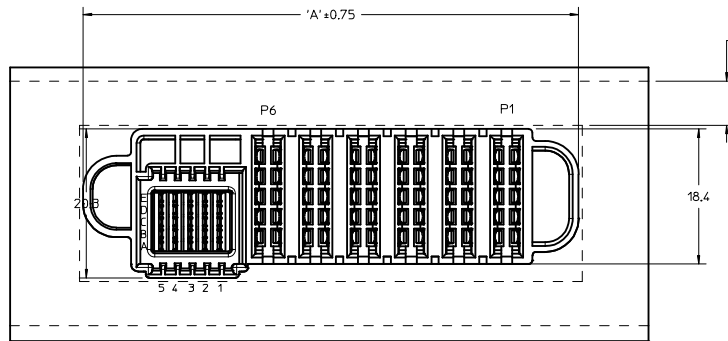
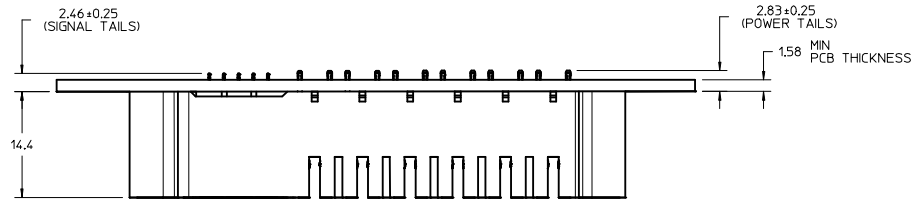
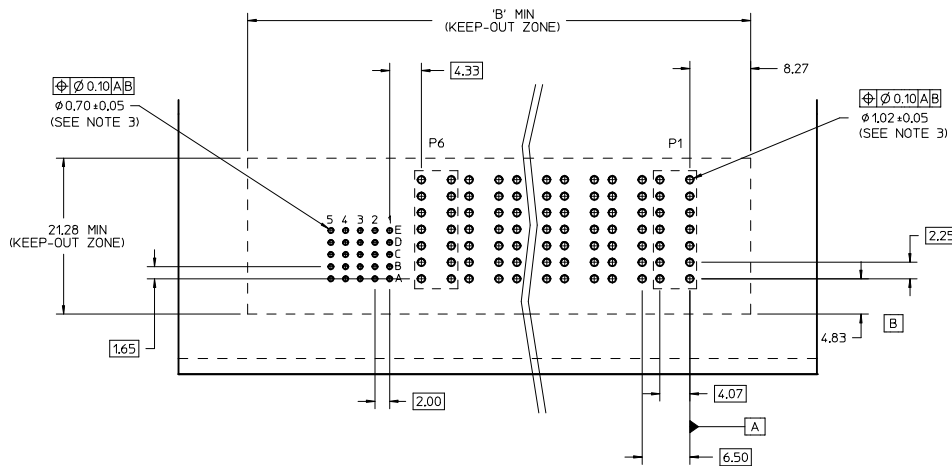
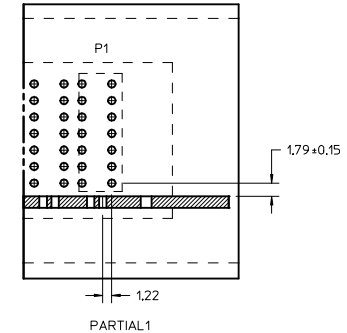


PACKAGING SPEC	PART NUMBER	# OF POWERS	DIM 'A'	DIM 'B'	# OF SIGNALS
PK-171098-0100	171098-0001	6	67.50	68.50	25
PK-172186-0002	171098-0002	4	54.50	55.50	
PK-172186-0002	171098-0003	2	41.50	42.50	



P/N 171098-0001 SHOWN

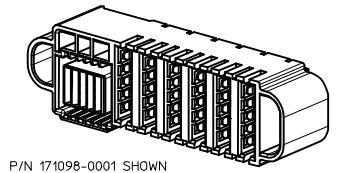
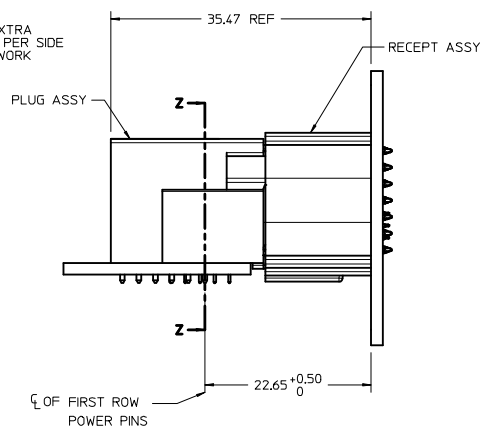
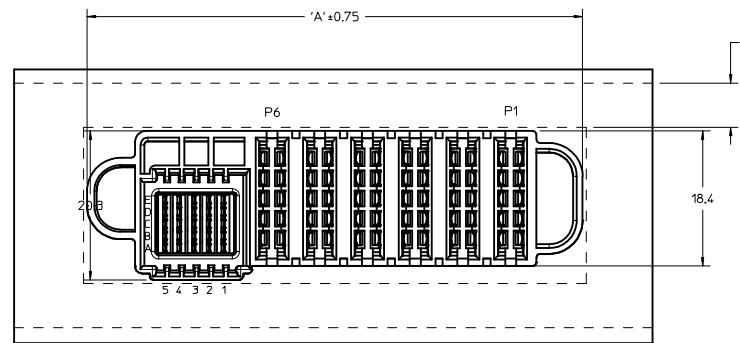
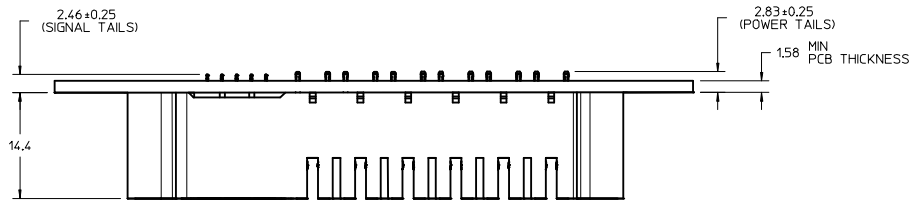


- NOTE:
- MATERIAL:
    - HOUSINGS: LCP UL94, V-0, COLOR: BLACK
    - TERMINALS: COPPER ALLOY
    - PLATING: 1.27 MICROMETER (50 MICROINCH) NICKEL OVERALL WITH 2.54 MICROMETER (100 MICROINCH) SELECTIVE TIN ON TAILS AND 0.762 MICROMETER (30 MICROINCH) SELECTIVE GOLD ON CONTACT AREA
  - PACKAGING: ASSEMBLIES TO BE TRAY PACKED PER PACKAGING SPEC; SEE TABLE
  - PLATED THRU HOLE SIZE, REFER TO PS-171097-1000 FOR DETAILS
  - PRODUCT SPEC: PS-171097-1000
  - APPLICATION SPEC: AS-171097-0001
  - PRODUCT TO MEET RoHS REQUIREMENTS
  - FOR MATING PARTS SEE PLUG ASSEMBLY SD-171097-0001
  - TAIL DESIGN: COMPLIANT PIN
  - POWER AND SIGNAL CONTACTS ARE LUBRICATED

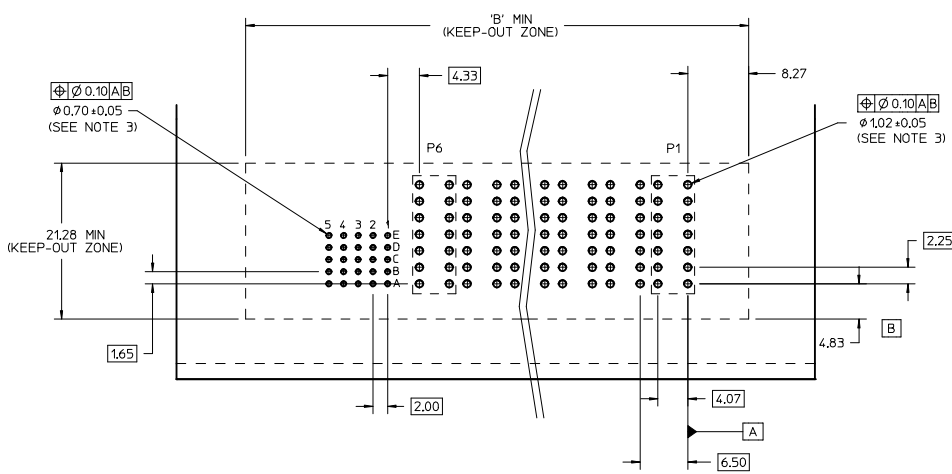
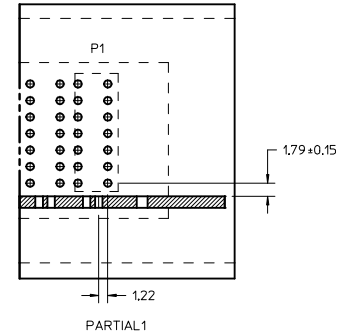
RECOMMENDED PCB LAYOUT AND KEEP-OUT ZONE  
(PCB LAYOUT FOR 6P CONNECTOR SHOWN AS REFERENCE)

ADD PK SPEC IEC NO. UCP2017-0856 DRAWN/CCH 2016/10/18 CHKD/CWCHAN 2016/11/07 APPR/KHLIM 2016/11/15 A2 REV	QUALITY SYMBOLS	GENERAL TOLERANCES (UNLESS SPECIFIED)	DIMENSION STYLE	SCALE	DESIGN UNITS	THIRD ANGLE PROJECTION
	▽=0	mm INCH	MM ONLY	3:1	METRIC	☉
	▽=0	4 PLACES ±--- ±---	DRAWN BY DATE	TITLE		
	▽=0	3 PLACES ±--- ±---	BPI/SZCZOR 2013/06/25	VERT RECEPTACLE ASSY STANDARD LAYOUTS ENERGETIC POWER FAMILY		
	ANGULAR ±1/2°	DRAFT WHERE APPLICABLE MUST REMAIN WITHIN DIMENSIONS	APPROVED BY DATE	DOCUMENT NO.		
			APATEL 2013/12/12	SD-171098-0001		
			MATERIAL NO.	SHEET NO.		
			SEE CHART	1 OF 1		
			THIS DRAWING CONTAINS INFORMATION THAT IS PROPRIETARY TO MOLEX INCORPORATED AND SHOULD NOT BE USED WITHOUT WRITTEN PERMISSION			

PACKAGING SPEC	PART NUMBER	# OF POWERS	DIM 'A'	DIM 'B'	# OF SIGNALS
PK-171098-0100	171098-0001	6	67.50	68.50	25
PK-172186-0002	171098-0002	4	54.50	55.50	
PK-172186-0002	171098-0003	2	41.50	42.50	



P/N 171098-0001 SHOWN



- NOTE:
- MATERIAL:
    - HOUSINGS: LCP UL94, V-0, COLOR: BLACK
    - TERMINALS: COPPER ALLOY
    - PLATING: 1.27 MICROMETER (50 MICROINCH) NICKEL OVERALL WITH 2.54 MICROMETER (100 MICROINCH) SELECTIVE TIN ON TAILS AND 0.762 MICROMETER (30 MICROINCH) SELECTIVE GOLD ON CONTACT AREA
  - PACKAGING: ASSEMBLIES TO BE TRAY PACKED PER PACKAGING SPEC; SEE TABLE
  - PLATED THRU HOLE SIZE, REFER TO PS-171097-1000 FOR DETAILS
  - PRODUCT SPEC: PS-171097-1000
  - APPLICATION SPEC: AS-171097-0001
  - PRODUCT TO MEET RoHS REQUIREMENTS
  - FOR MATING PARTS SEE PLUG ASSEMBLY SD-171097-0001
  - TAIL DESIGN: COMPLIANT PIN
  - POWER AND SIGNAL CONTACTS ARE LUBRICATED

RECOMMENDED PCB LAYOUT AND KEEP-OUT ZONE  
(PCB LAYOUT FOR 6P CONNECTOR SHOWN AS REFERENCE)

ADD PK SPEC IEC NO. UCP2017-0856 DRAWN BY A2 2016/10/18 DRWNG:CGH 2016/11/07 CHKD:WCHAN APPR:KHLIM 2016/11/15	QUALITY SYMBOLS ∇=0 ∇=0 ∇=0	GENERAL TOLERANCES (UNLESS SPECIFIED)		DIMENSION STYLE MM ONLY		SCALE 3:1	DESIGN UNITS METRIC	THIRD ANGLE PROJECTION	
		4 PLACES ±--- ±--- 3 PLACES ±--- ±--- 2 PLACES ±0.13 ±--- 1 PLACE ±0.25 ±--- 0 PLACE ±--- ±---	mm INCH	DRAWN BY BPI/SZC/ZOR	DATE 2013/06/25	TITLE VERT RECEPTACLE ASSY STANDARD LAYOUTS ENERGETIC POWER FAMILY			
		ANGULAR ±1/2° DRAFT WHERE APPLICABLE MUST REMAIN WITHIN DIMENSIONS		APPROVED BY APATEL	DATE 2013/12/12	MATERIAL NO. SEE CHART			
				DOCUMENT NO. SD-171098-0001	SHEET NO. 1 OF 1				