

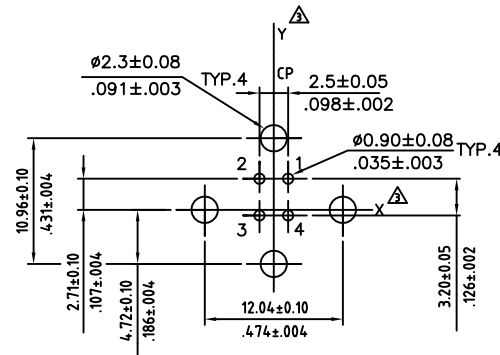
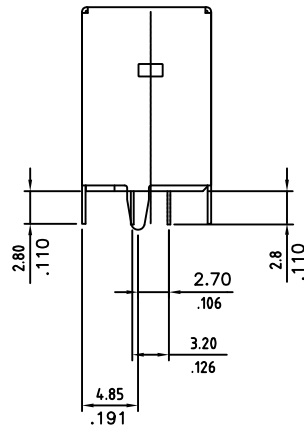
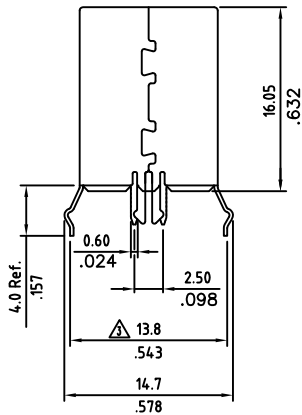
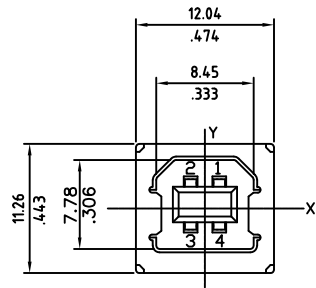
SIGN	DATE	DESCRIPTION	APPROVER
△	2012.04.09	Dimension added	Sun
△	2012.10.03	USB 2.0 detail added	SHIN
△	2014.10.13	X Y information added	Sun

PART NUMBER:

USB-B1KSXX

PLATING:
 6: Selective Au Flash/50u" Ni
 8: Selective 30u" Au/50u" Ni (USB 2.0)

Color
 W - white
 B - black



Recommended P.C. Board Layout

Material

- Insulator: PBT+30% G.F.
- Flammability: UL94 V-0
- Contact: Phosphor Bronze
- Shell: Brass
- Shell Plating: 80u" Nickel over 50u" Copper
- Packaging: Tray

Ratings

- Current: 1A
- Voltage: 30V AC(r.m.s.)
- Contact Resistance: <30mΩ
- Insulation Resistance: >1000 MΩ
- Dielectric Withstanding Voltage: 750V AC
- Operating Temperature: 0°C - +40°C
- Storage Temperature: -40°C - +60°C

RoHS Compliant



THESE DRAWINGS AND SPECIFICATIONS ARE THE PROPERTY OF ON-SHORE TECHNOLOGY, INC. AND SHALL NOT BE REPRODUCED, COPIED OR USED IN ANY MANNER WITHOUT THE PRIOR WRITTEN CONSENT OF ON-SHORE TECHNOLOGY, INC.

TITLE		USB B1KS Series - Board Mount- B Type, board lock, vertical				
PART NO.	USB-B1KSXX	DWG NO.	USB-B1KSXX.DWG			
APPROVED	CHECKED	DESIGNED	DRAWN	4050		
Stephen 2006.08.29	Marvin 2006.08.29	Sun 2006.08.29	Lee 2006.08.22	Tolerance		
					UNIT: mm/inches	X° ±1°
					SCALE: NONE	X.X ±0.30/.012
				SHEET: 01/01	REV.: A	X.XX ±0.20/.008
						X.XXX ±0.10/.004