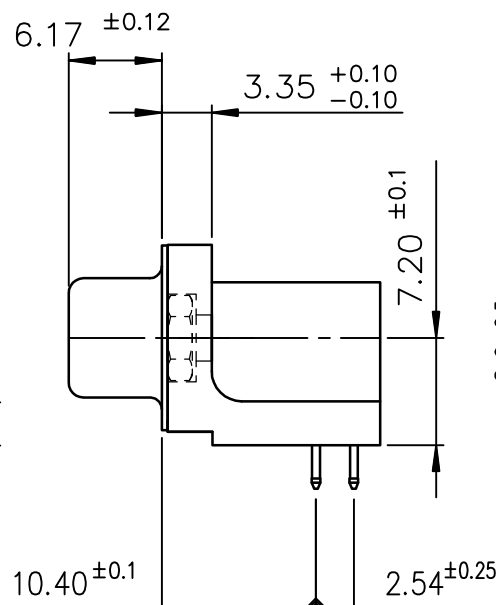
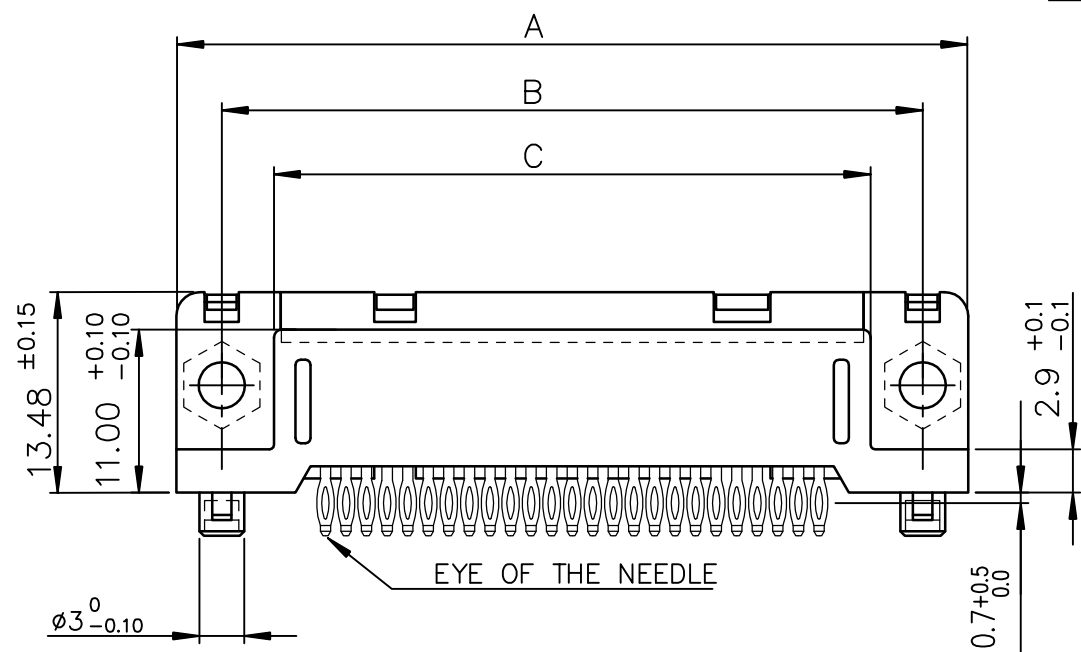
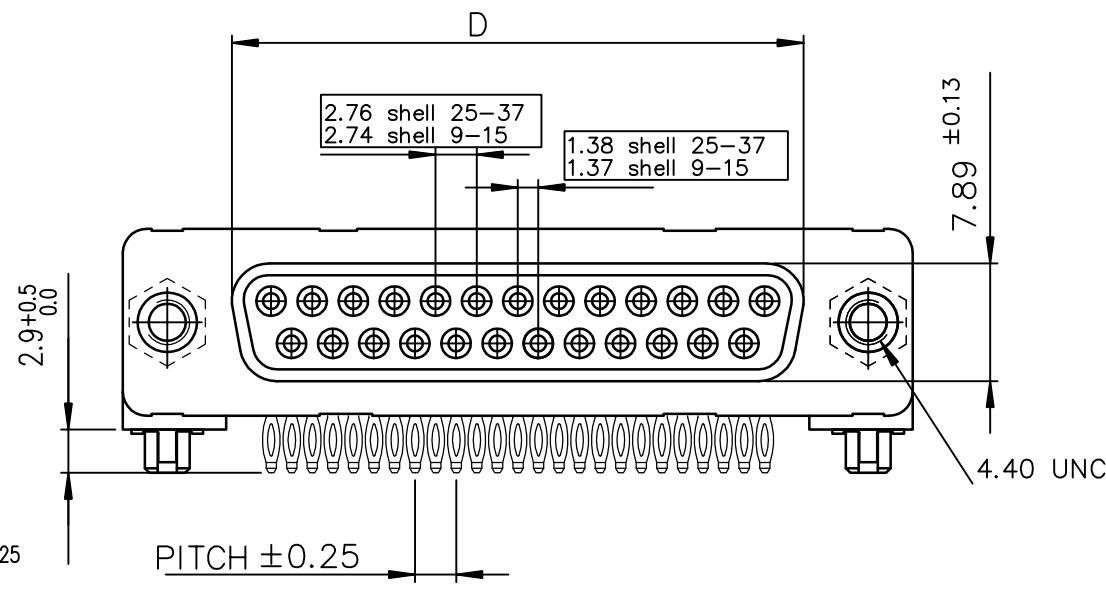


view shown without plastic pin and grounding

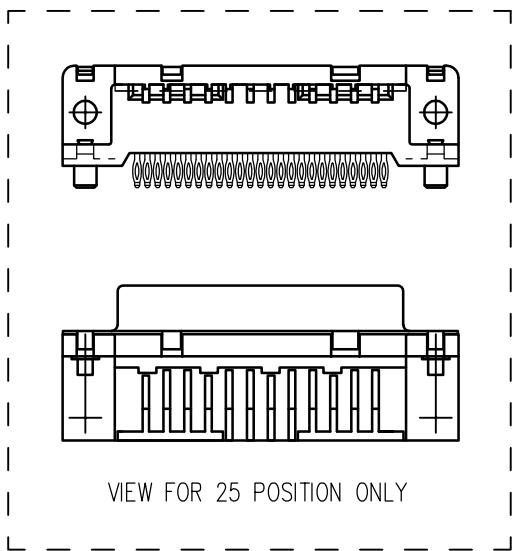
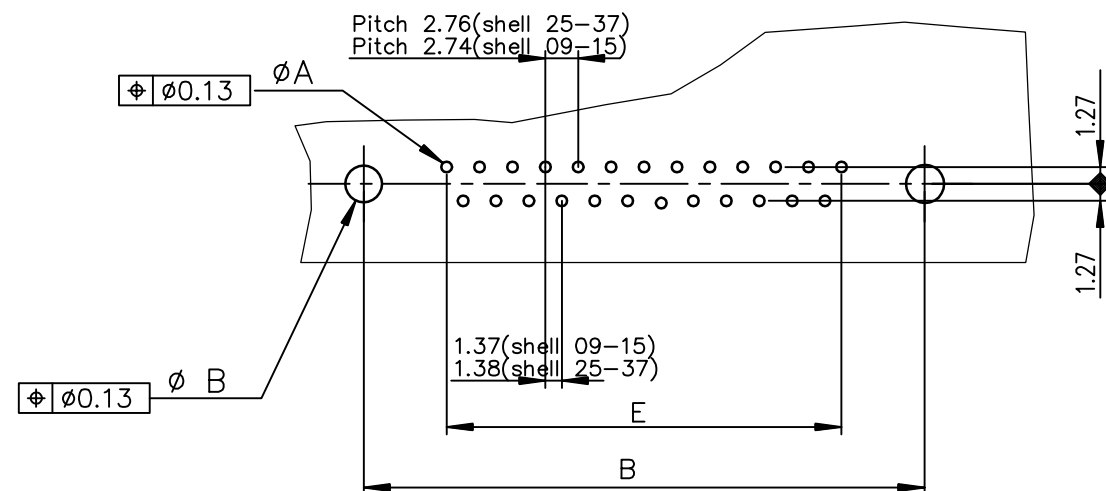
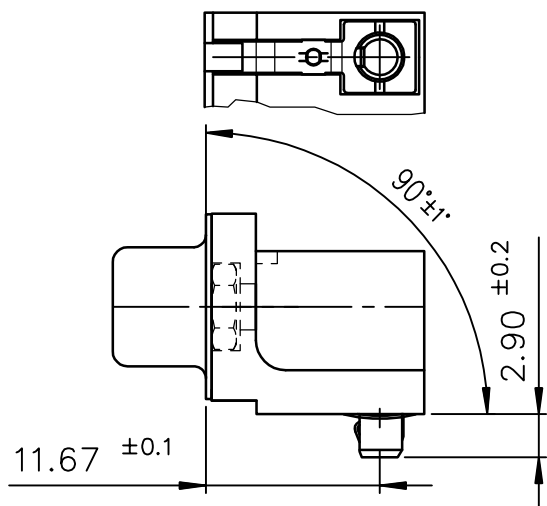
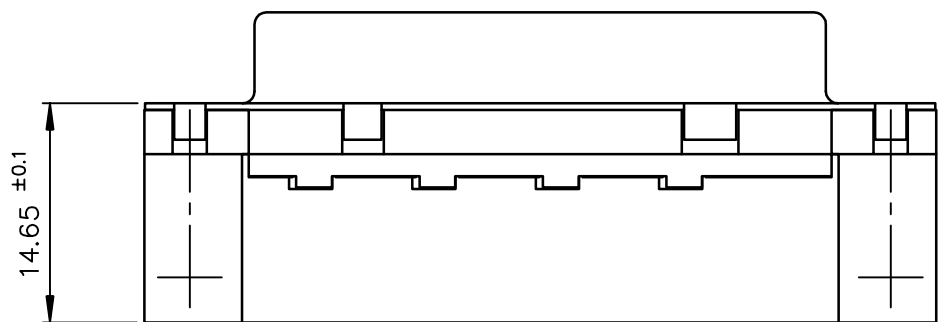


Detail of grounding strip



PC card drilling dimensions(after plating)

(thickness 1.60 ±0.20)



GENERAL CHARACTERISTICS AND ROHS INFORMATIONS:
SEE DRAWING C01-8646-0001

LEAD FREE PART NUMBER

SHELL	A±0.38	B±0.12	C±0.10	D±0.25	E±0.07	PART NUMBER	PART NUMBER
09	30.81	24.99	18.00	16.21	10.96	D09S81C4GX00LF	D09S81C6GX00LF
15	39.14	33.32	26.32	24.54	19.18	D15S81C4GX00LF	D15S81C6GX00LF
25	53.03	47.04	40.04	38.25	33.12	D25S81C4GX00LF	D25S81C6GX00LF
37	69.32	63.50	56.50	54.71	49.68	D37S81C4GX00LF	D37S81C6GX00LF
						Gold flash	0.76 µ gold/GxT

mat'l. code		surface		tolerance		projection		product family	
-		ISO 1302 ✓		ISO 406 ISO 1101				D-SUB	
ltr		ecn no	dr	date		tolerances unless otherwise specified		title	
K	ELX-I-18050	MP		2014/06/23		.0±0.3		FEMALE CONNECTOR DELTA-D EUROPE	
L	ELX-I-33101	GM		2019-04-01		.00±0.1		RIGHT ANGLED PRESS FIT	
M	ELX-I-34612	GM		2019-20-08		.000±0.05		scale 2:1	
sheet index		revision		M		dr		dwg no	
1		sheet		1		PESSON		sheet 1 of 1	
						engr		size	
						GREGAR M		A3	
						chr		C01-8646-0514	
						MITHUN PAUL		type	
						2019-20-08		Product Customer Drawing	
						appd			
						SANOJ P K			
						2019-20-08			