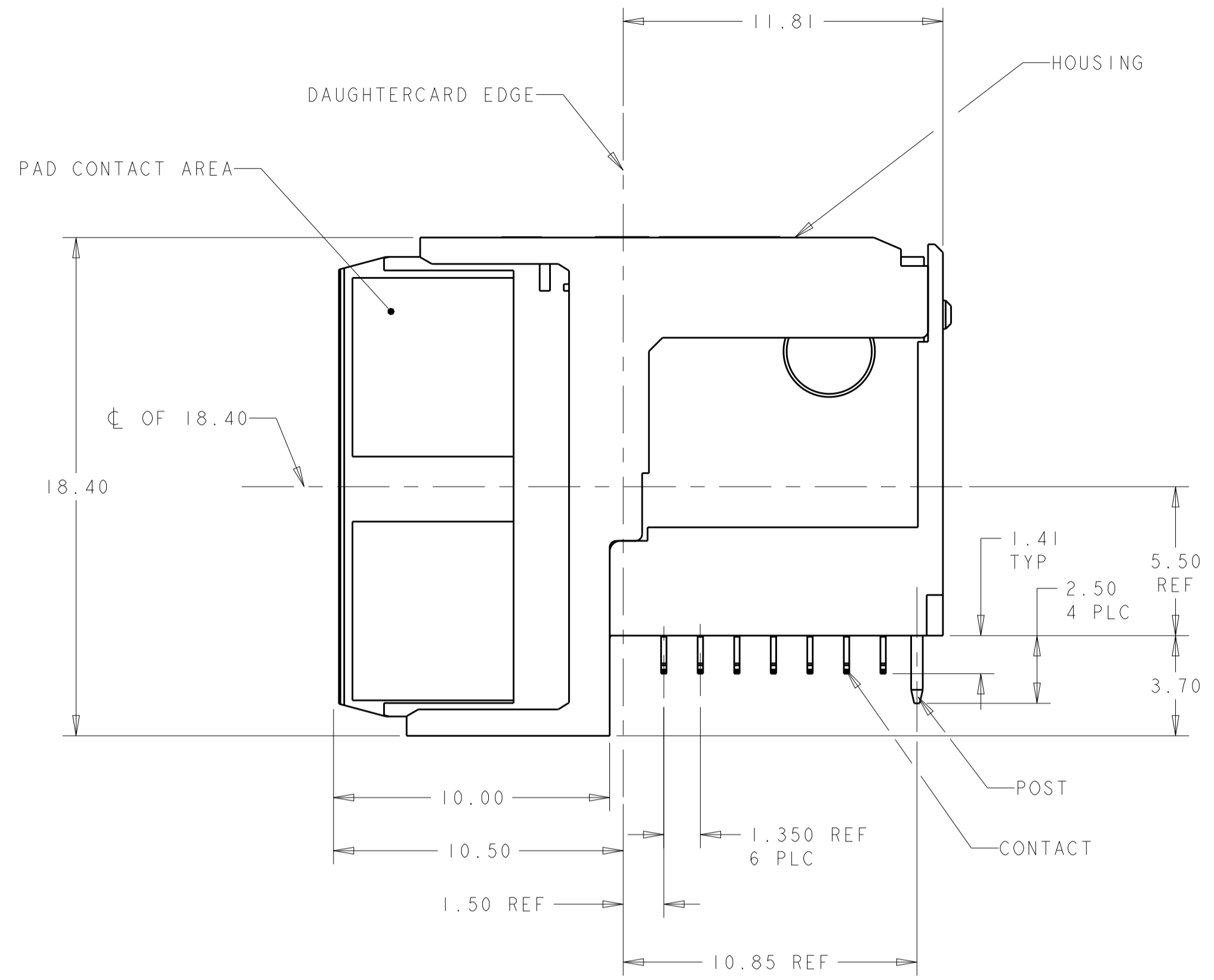
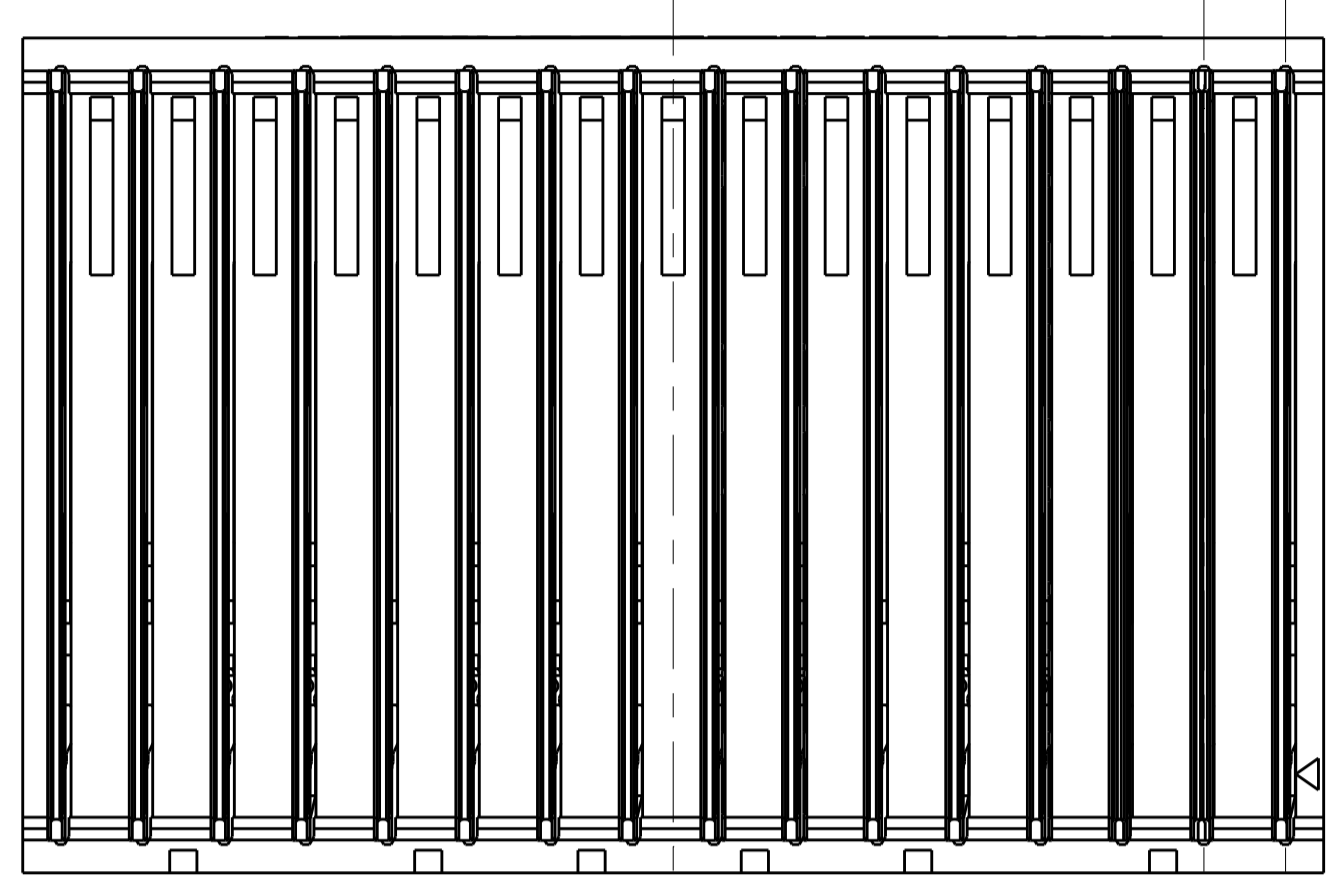


REVISIONS				
P.	LTN.	DESCRIPTION	DATE	OWN. APVD.
B		REV PER ECO 14-010790	7-17-14	CT DH
C		REV PER ECO-16-003813	06APR2016	KG DH



- 1 HOUSING: LCP, UL94V0, COLOR: BLACK. CONTACT: PHOSPHOR BRONZE. POST: BRASS WIRE
- 2 PLATED THROUGH HOLE PER TE SPEC 114-13056, FIGURE 4.
- 3 SEE TABLE 1 FOR INTERCONNECTIONS TO BACKPLANE CONNECTOR.
- 4 CONTACT: 0.76um MIN GOLD IN PAD CONTACT AREA. 1.27um MIN TIN ON PCB TAIL. OVER 1.27um MIN NICKEL OVER ALL. POST 1.27um MIN NICKEL PLATED.
- 5 CONTACT: 1.27um MIN GOLD IN PAD CONTACT AREA. 1.27um MIN TIN-LEAD ON PCB TAIL. OVER 1.27um MIN NICKEL OVER ALL. POST 1.27um MIN NICKEL PLATED.
- 6 CONTACT: 1.27um MIN GOLD IN PAD CONTACT AREA. 1.27um MIN TIN ON PCB TAIL. OVER 1.27um MIN NICKEL OVER ALL. POST 1.27um MIN NICKEL PLATED.

TABLE 1
 INTERCONNECTIONS WITH BACKPLANE CONNECTOR 1410140-X

TYPICAL INTERCONNECTIONS FOR COLUMN (WAFER): 7, 9, 11, 13, 15		
CONTACT USAGE	DAUGHTERCARD CONNECTOR PIN	BACKPLANE CONNECTOR PIN
SIGNAL PAIR	ax	ax
	bx	bx
SIGNAL PAIR	dx	ex
	ex	fx
SIGNAL	gx	ix
GROUPS	cx, fx, (ALL COMMONED)	cx, dx, gx, hx

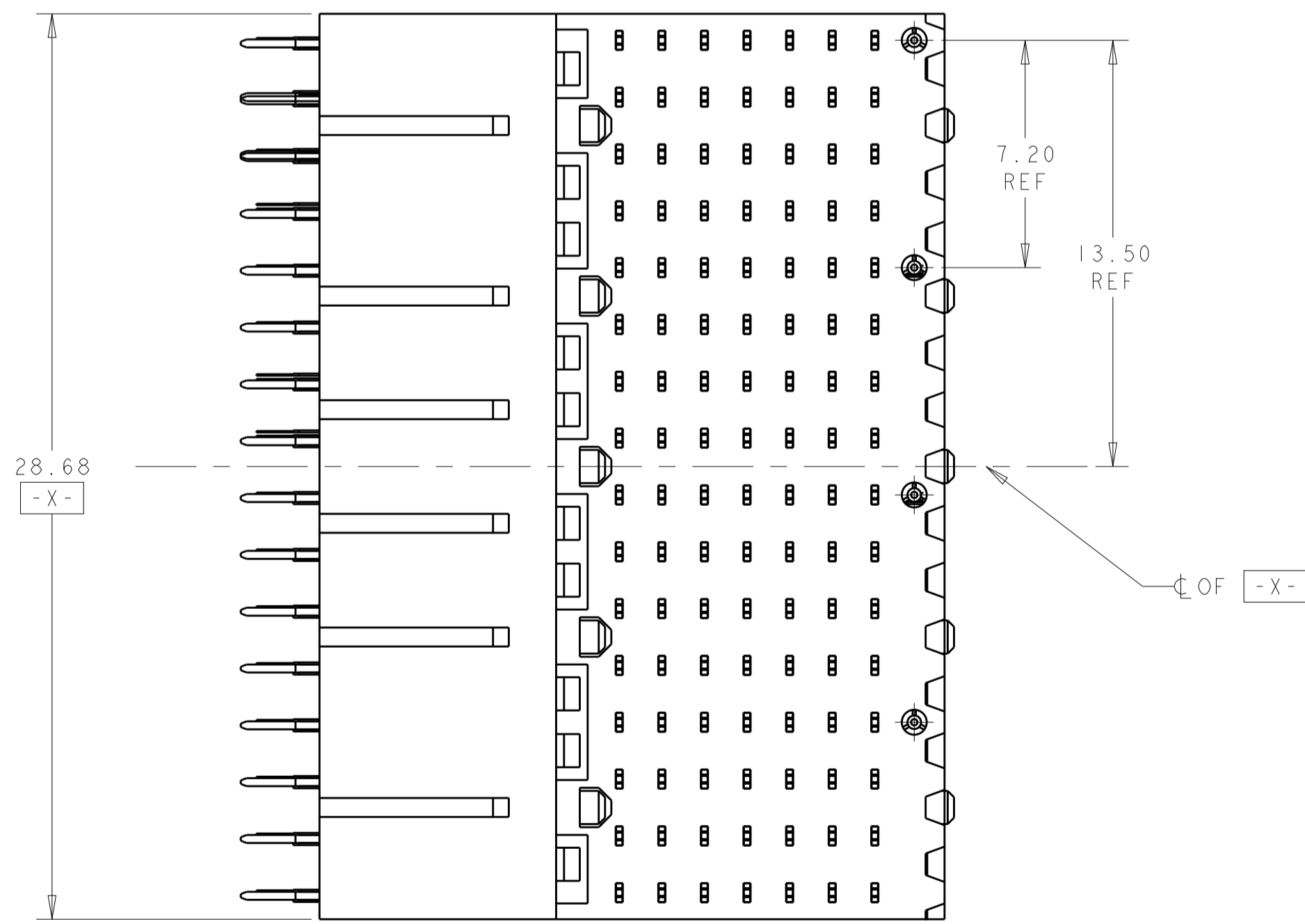
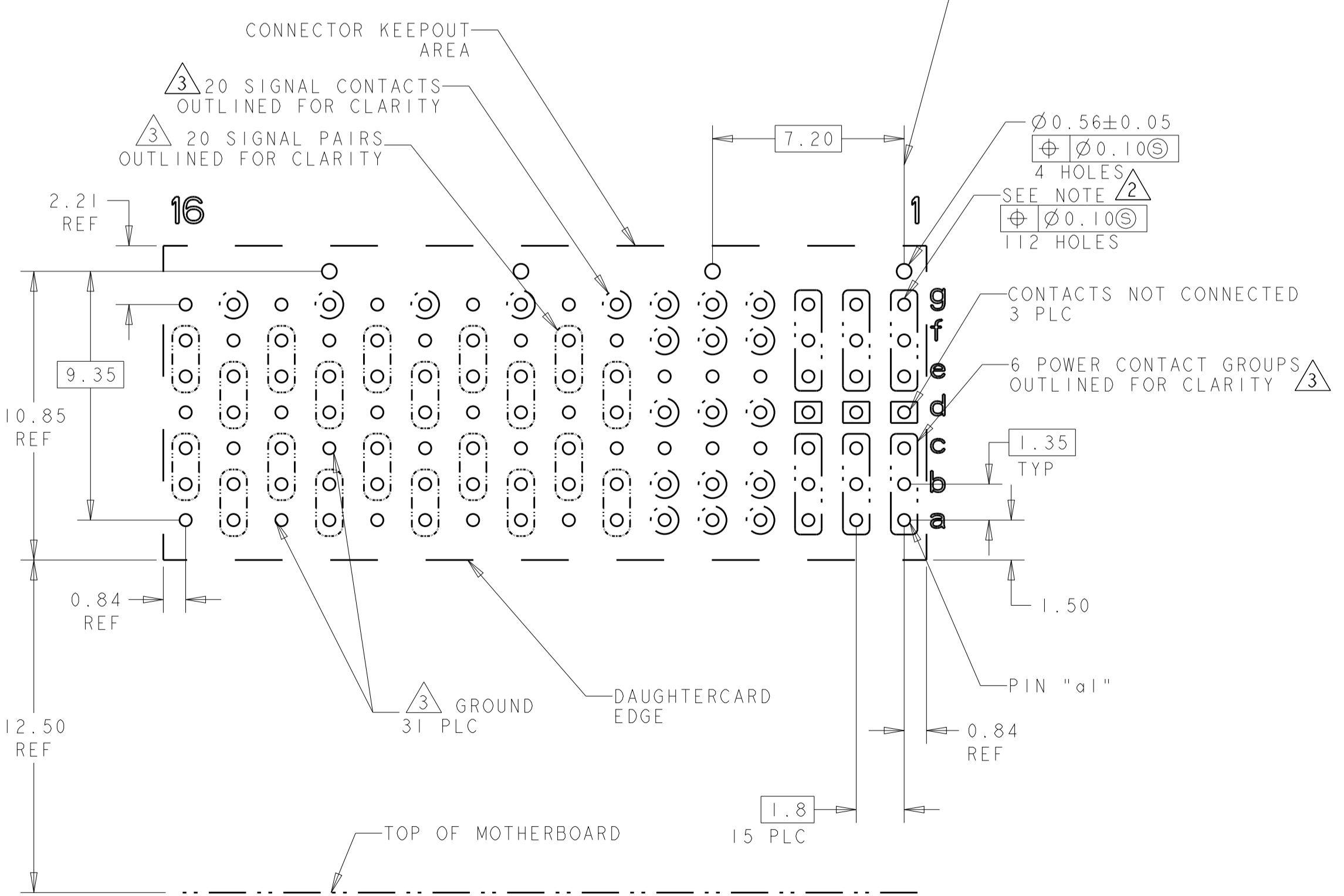
TYPICAL INTERCONNECTIONS FOR COLUMN (WAFER): 8, 10, 12, 14, 16		
CONTACT USAGE	DAUGHTERCARD CONNECTOR PIN	BACKPLANE CONNECTOR PIN
SIGNAL PAIR	bx	cx
	cx	dx
SIGNAL PAIR	ex	gx
	fx	hx
GROUPS	ax, dx, gx (ALL COMMONED)	ax, bx, ex, fx, ix

TYPICAL INTERCONNECTIONS FOR COLUMN (WAFER): 4, 5, 6		
CONTACT USAGE	DAUGHTERCARD CONNECTOR PIN	BACKPLANE CONNECTOR PIN
SIGNAL	ax	bx
SIGNAL	bx	cx
SIGNAL	dx	ex
SIGNAL	fx	gx
SIGNAL	gx	hx
GROUPS	cx, ex (ALL COMMONED)	ax, dx, fx, ix

TYPICAL INTERCONNECTIONS FOR COLUMN (WAFER): 1, 2, 3		
CONTACT USAGE	DAUGHTERCARD CONNECTOR PIN	BACKPLANE CONNECTOR PIN
POWER	ax, bx, cx	ax, bx, cx, dx
POWER	ex, fx, gx	fx, gx, hx, ix
NOT CONNECTED	dx	ex

NOTE: "x" DESIGNATES THE COLUMN NUMBER

6	1410326-4
5	1410326-3
PLATING	PART NO



PC BOARD LAYOUT (CONNECTOR SIDE)
 SCALE 6:1

THIS DRAWING IS A CONTROLLED DOCUMENT. DWN: D. HUMBERT, 23JUN2009. CHK: R. PATTERSON, 23JUN2009. APVD: R. PATTERSON, 23JUN2009.

DIMENSIONS: mm. TOLERANCES UNLESS OTHERWISE SPECIFIED: 0 PLC ±, 1 PLC ±0.5, 2 PLC ±0.13, 3 PLC ±, 4 PLC ±, ANGLES ±1°.

MATERIAL: FINISH: 5.

CUSTOMER DRAWING. SCALE: 6:1. SHEET: 1 OF 1. REV: D.

STE TE Connectivity. RIGHT-ANGLE PLUG ASSY, 7 ROW, 20, 3mm MULTI-GIG RT2, DIFFERENTIAL, SIGNAL-ENDED AND POWER, CENTER CONN.

SIZE: A1. CAGE CODE: 1410326. DRAWING NO: 108-2072. APPLICATION SPEC: 114-13056. WEIGHT: -. PRODUCT SPEC: 108-2072.