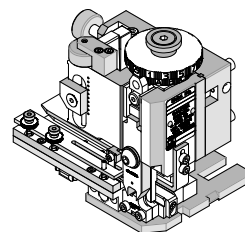


**Mini-Mac Applicator  
Mechanical Feed  
Continuous Molded Strip**



**Application Tooling  
Specification Sheet**



**Order No. 63883-7000**

**FEATURES**

- Directly adapts to most crimp presses and automatic wire processors
- Applicator designed to industry-standard mounting and shut height of 135.80mm (5.346")
- Conductor and insulation rings allow quick adjustment for conductor and cut-off tooling height change
- Quick set-up time; plus the crimp height, track and feed adjustments can be set without removing the applicator from the crimp press

**SCOPE**

Products: InsulKrimp™ Fully Insulated Quick Disconnect Male and Female Terminals Continuous Molded Strip for 18-22 AWG.

**Testing**

**Mechanical**

The tensile test, or pull test, is a means of evaluating the mechanical properties of the crimped connections. The following charts show the UL and government specifications (MIL-T-7928) for various wire sizes. The tensile strength is shown in pounds. It indicates the minimum acceptable force to break or separate the terminal from the conductor.

Color Code	Wire Size (AWG)	*UL - 486 A	*UL - 486 C	*UL - 310	*Military Class 2
Yellow	26	3	N/A	N/A	7
Yellow	24	5	N/A	N/A	10
Red	22	8	8	8	15
Red	20	13	10	13	19
Red	18	20	10	20	38
Blue	16	30	15	30	50
Blue	14	50	25	50	70
Yellow	12	70	35	70	110
Yellow	10	80	40	80	150
Red	8	90	45	N/A	225
Blue	6	100	50	N/A	300

\*UL - 486 A - Terminals (Copper conductors only)

\*UL - 486 C - Butt Splices, Parallel Splices, Closed End Connectors, and Wire Nuts

\*UL - 310 - Quick Disconnects, Flag and Couplers

\*Military Class 2- Military Approved Terminals only as listed

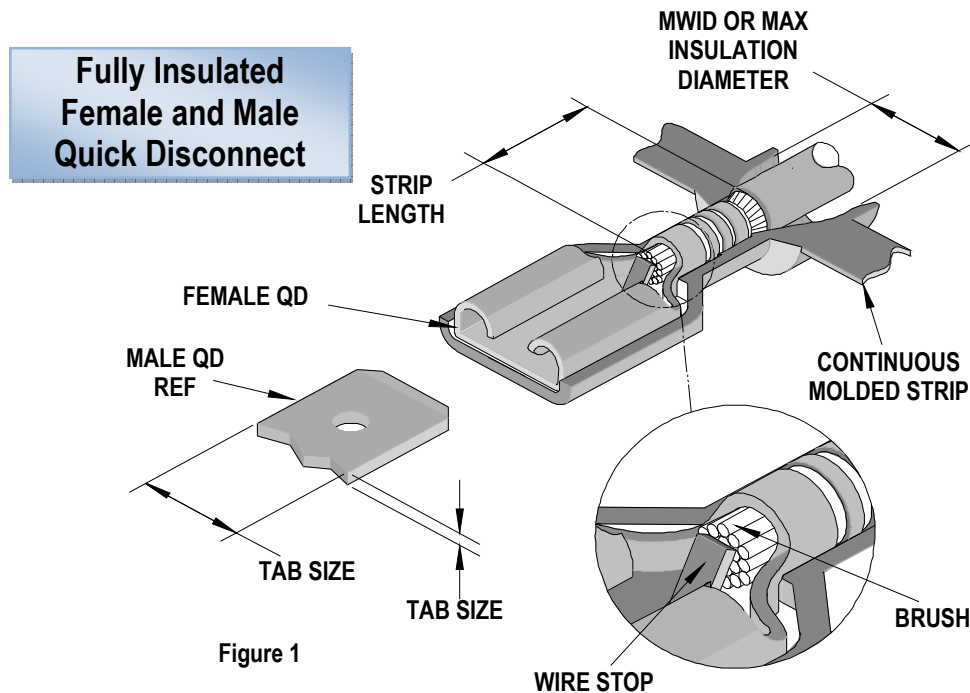
### Product List

The following is a partial list of the product order numbers and their specifications that this tool is designed to run. Updates to this list are available on [www.molex.com](http://www.molex.com).

Terminal No.	Terminal Eng. No.	Wire Size		Insulation Diameter Maximum		Strip Length	
		AWG	mm <sup>2</sup>	mm	In.	mm	In.
19003-0097	AA-2204C	22-18	0.35-0.80	3.43	.135	6.35	.250
19003-0098	AA-2205C	22-18	0.35-0.80	3.43	.135	6.35	.250
19003-0105	AA-2201C	22-18	0.35-0.80	3.43	.135	6.35	.250
19003-0107	AA-2202C	22-18	0.35-0.80	3.43	.135	6.35	.250
19003-0108	AA-2203C	22-18	0.35-0.80	3.43	.135	6.35	.250
19003-0109	AA-2213C	22-18	0.35-0.80	3.43	.135	6.35	.250
19003-0110	AA-2214C	22-18	0.35-0.80	3.43	.135	6.35	.250
19003-0111	AA-2201VNC	22-18	0.35-0.80	3.43	.135	6.35	.250
19003-0128	AA-2202VC	22-18	0.35-0.80	3.43	.135	6.35	.250
19003-0131	AA-2203VC	22-18	0.35-0.80	3.43	.135	6.35	.250
19023-0052	19023-0052	22-18	0.35-0.80	3.43	.135	6.35	.250
19023-0061	19023-0061	22-18	0.35-0.80	3.43	.135	6.35	.250
19276-0001	AA-2201C-LIF	22-18	0.35-0.80	3.43	.135	6.35	.250

### DEFINITION OF TERMS

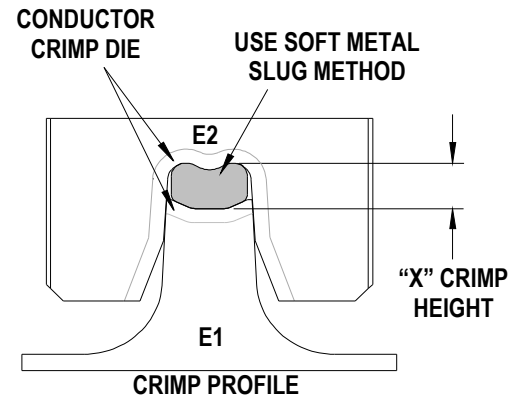
The following illustration is a generic terminal representation and not an exact image of any terminal listed in the scope.



### Tool Calibration

To recalibrate this applicator, make sure the power is completely shut off on the press.

1. The Mini-Mac applicator must be properly installed in the press.
2. Crimping dies must be properly installed in the Mini-Mac applicator.
3. The recommended method of measuring the crimp height of the conductor dies is the soft metal slug method, (See Figure 2).
4. The slug must have a diameter 0.51mm (.020") larger than the "X" No Go dimension before crimping.
5. Place the soft metal slug (solder) into the nest of the bottom die and crimp (by hand cycling the press) similar to a terminal. The crimp height can be measured with a blade type micrometer or dial caliper, (Dimension "X").
6. Adjustment of the crimp height can be accomplished by indexing the conductor cam. The letter "A" gives the loosest position and "K" gives the tightest position. A total adjustment of 0.50mm (.020") can be achieved by adjusting the conductor cam.



Use soft metal slug (solder) method to measure the "X" dimension. Verify tooling crimp height calibration by referring to the Go/No Go dimensions shown in the chart below.

Figure 2

Note: If the crimp height is too tight on the setting "A", check the shut height of the press. See the Industrial Mini-Mac Applicator Manual Section 2.1 for adjustments.

### CRIMP SPECIFICATIONS

Wire Size		"X" Dimension Conductor Crimp						Pull Force Minimum	
AWG	mm <sup>2</sup>	Mean		Go		No Go		Lbs	N
		In	mm	In	mm	In	mm		
22	0.35	.098	2.45	.095	2.41	.103	2.62	8.0	35.6
20	0.50	.098	2.45	.095	2.41	.103	2.62	13.0	57.8
18	0.80	.098	2.45	.095	2.41	.103	2.62	20.0	90.0

#### Tool Qualification Notes:

1. Pull Force should be measured with no influence from the insulation crimp.
2. The above specifications are guidelines to an optimum crimp.

**PARTS LIST**

Mini-Mac Applicator 63883-7000				
Item	Order No	Engineering No.	Description	Quantity
<b>Perishable Tooling</b>				
	<b>63883-7070</b>	<b>63883-7070</b>	<b>Tool Kit (All "Y" Items)</b>	<b>REF</b>
1	63465-0002	63465-0002	Conductor Punch	1 Y
2	63464-0002	63464-0002	Conductor Anvil	1 Y
3	63469-0001	63469-0001	Cut-off Punch	1 Y
4	63462-0041	63462-0041	Cut-off Anvil	1 Y
<b>Other Components</b>				
5	63443-0021	63443-0021	Lower Tooling Key	1
6	63466-0912	63466-0912	Anvil Mount	1
7	63466-0913	63466-0913	Terminal Support	1
8	63466-0921	63466-0921	Terminal Stripping Blade	1
9	63466-0931	63466-0931	Terminal Nose Support	1
10	63600-1290	63600-1290	Washer	1
11	63890-0866	63890-0866	Collar-6.4 Long	1
12	63890-0868	63890-0868	Collar-9.5 Long	1
<b>Frame</b>				
13	63801-3201	63801-3201	Top	1
14	63801-3281	63801-3281	Base	1
15	63801-4450	63801-4450	Track	1
<b>Hardware</b>				
16	N/A	N/A	M3 by 12 Long SHCS	1**
17	N/A	N/A	M4 by 10 Long SHCS	2**
18	N/A	N/A	M4 by 20 Long SHCS	1**
19	N/A	N/A	M4 by 45 Long SHCS	1**
20	N/A	N/A	M5 by 12 Long SHCS	1**
21	N/A	N/A	M8 by 30 Long BHCS	1**
22	N/A	N/A	3mm by 6 Long Roll Pin	1**
** Available from an industrial supply company such as MSC (1-800-645-7270).				

**Note:** Crimp profiles used in 63883-7000 are equivalent to 19030-0156, 19030-0051 / MMC-AA-595, 19030-0159, 19030-0043 / MMC-M-212, 19030-0044 / MMC-M-595, 19028-0059/ACP-M-596, and 19028-0098 (UL file number E79133).

### Assembly Drawing

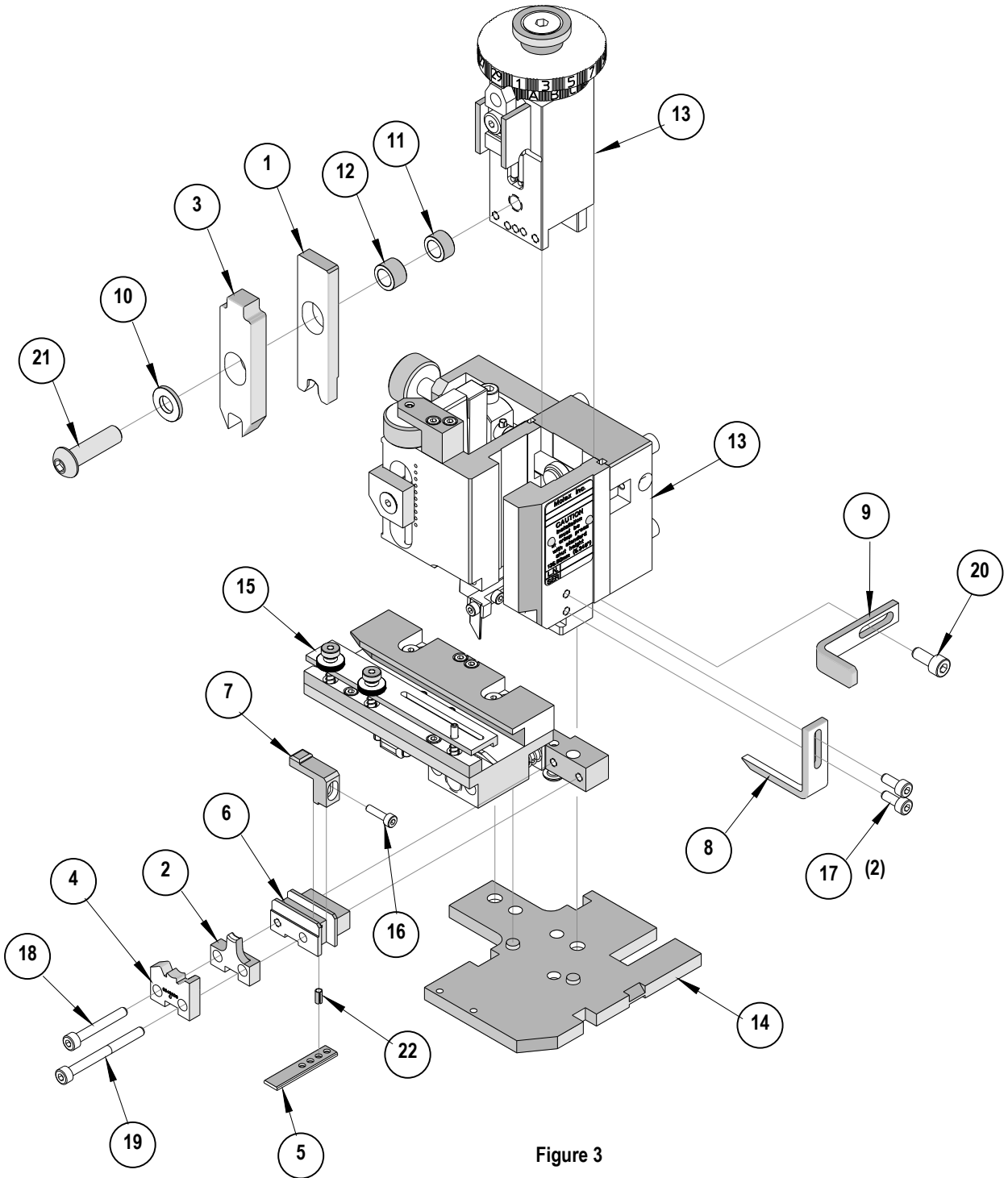


Figure 3

## NOTES

1. Molex recommends an extra perishable tooling kit be maintained at your facility.
2. Verify tooling alignment by manually cycling the press with applicator before crimping under power. Check that all screws are tight.
3. Slugs, terminals, dirt, and oil should be kept clear of work area.
4. Wear safety glasses at all times.
5. For recommended maintenance refer to the Mini-Mac Applicator Manual (Document no. 63880-0000).

**CAUTION:** This applicator should only be used in a press with a shut height of 135.80 mm (5.346"). Tooling damage could result at a lower setting.

**CAUTION:** To prevent injury, never operate this applicator without the guards supplied with the press or wire-processing machine in place. Reference the press or wire process manufacturer's instruction manual.

**CAUTION:** Molex crimp specifications are valid only when used with Molex terminals, applicators and tooling.

## Contact Information

For more information on Molex application tooling please contact Molex at 1-800-786-6539.

Visit our Web site at <http://www.molex.com>