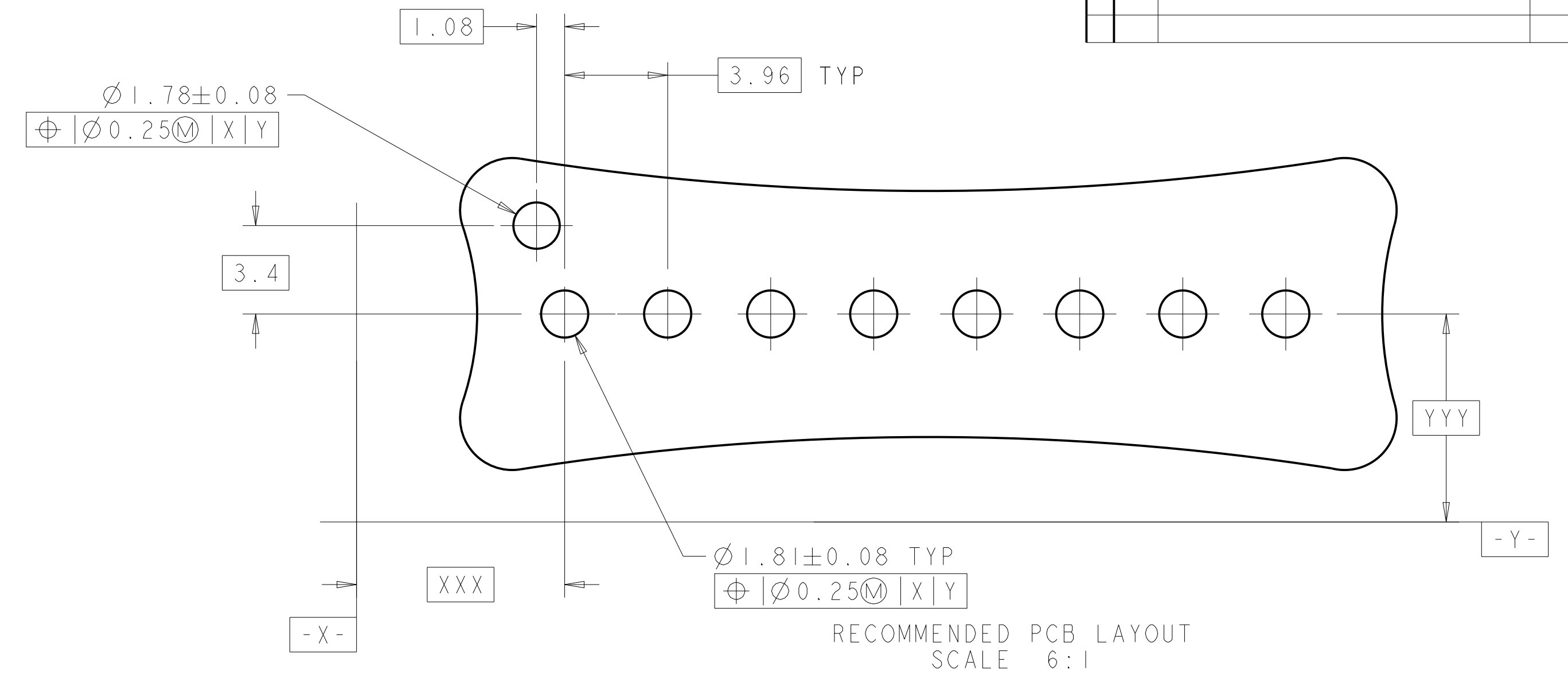
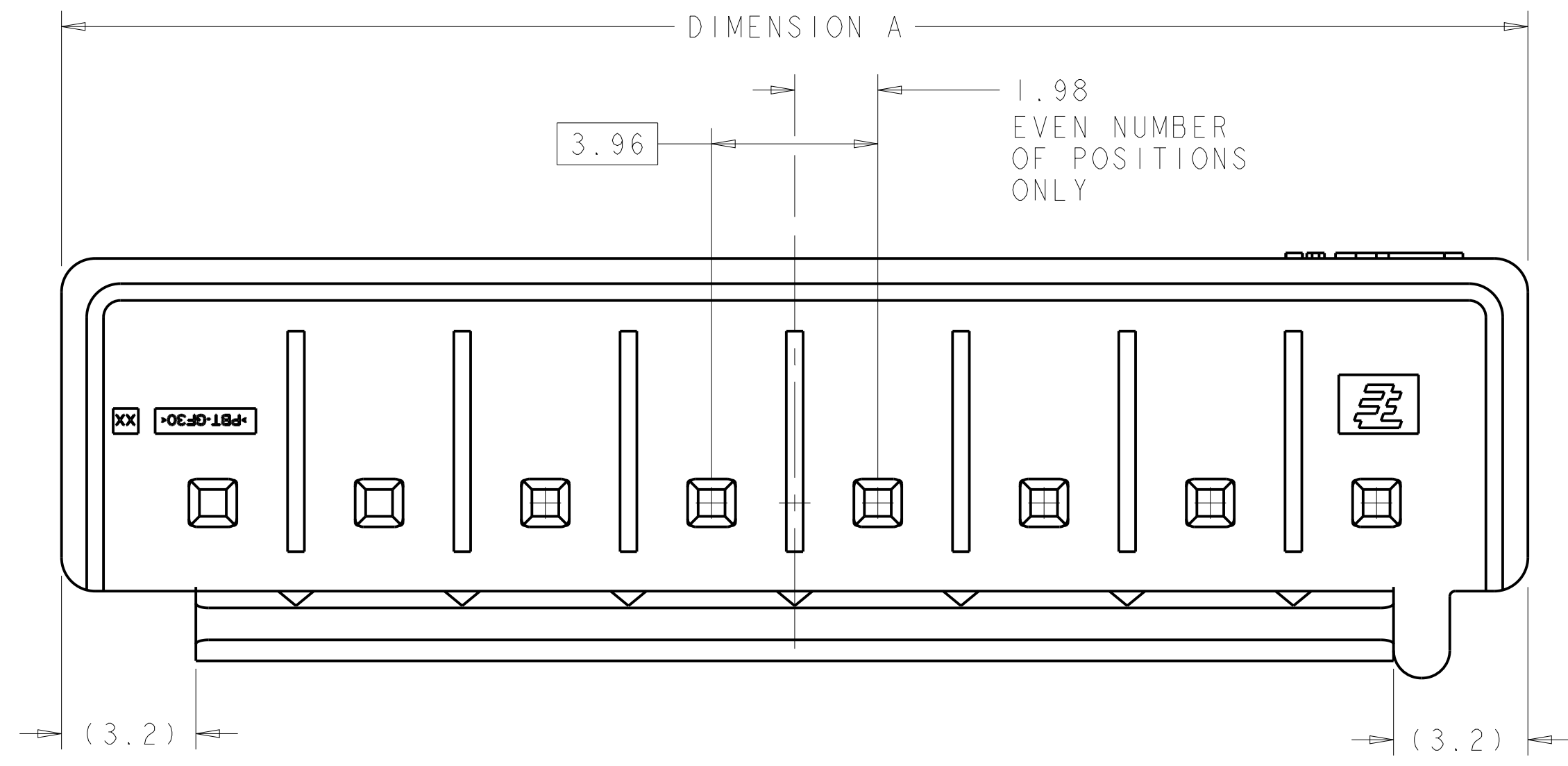
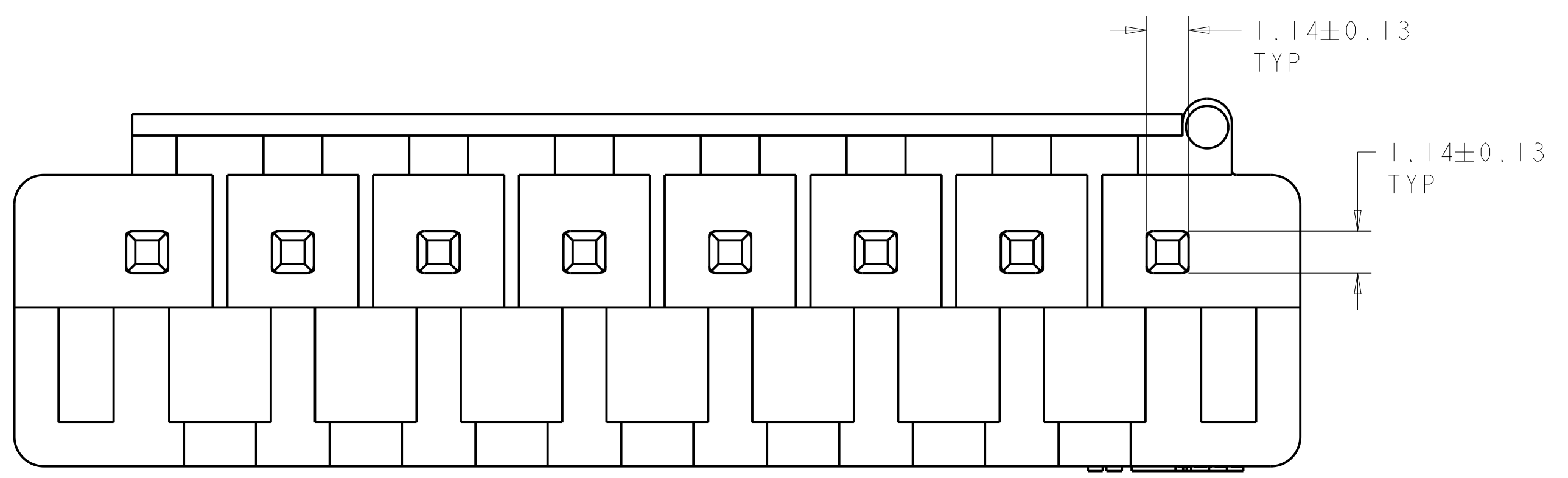
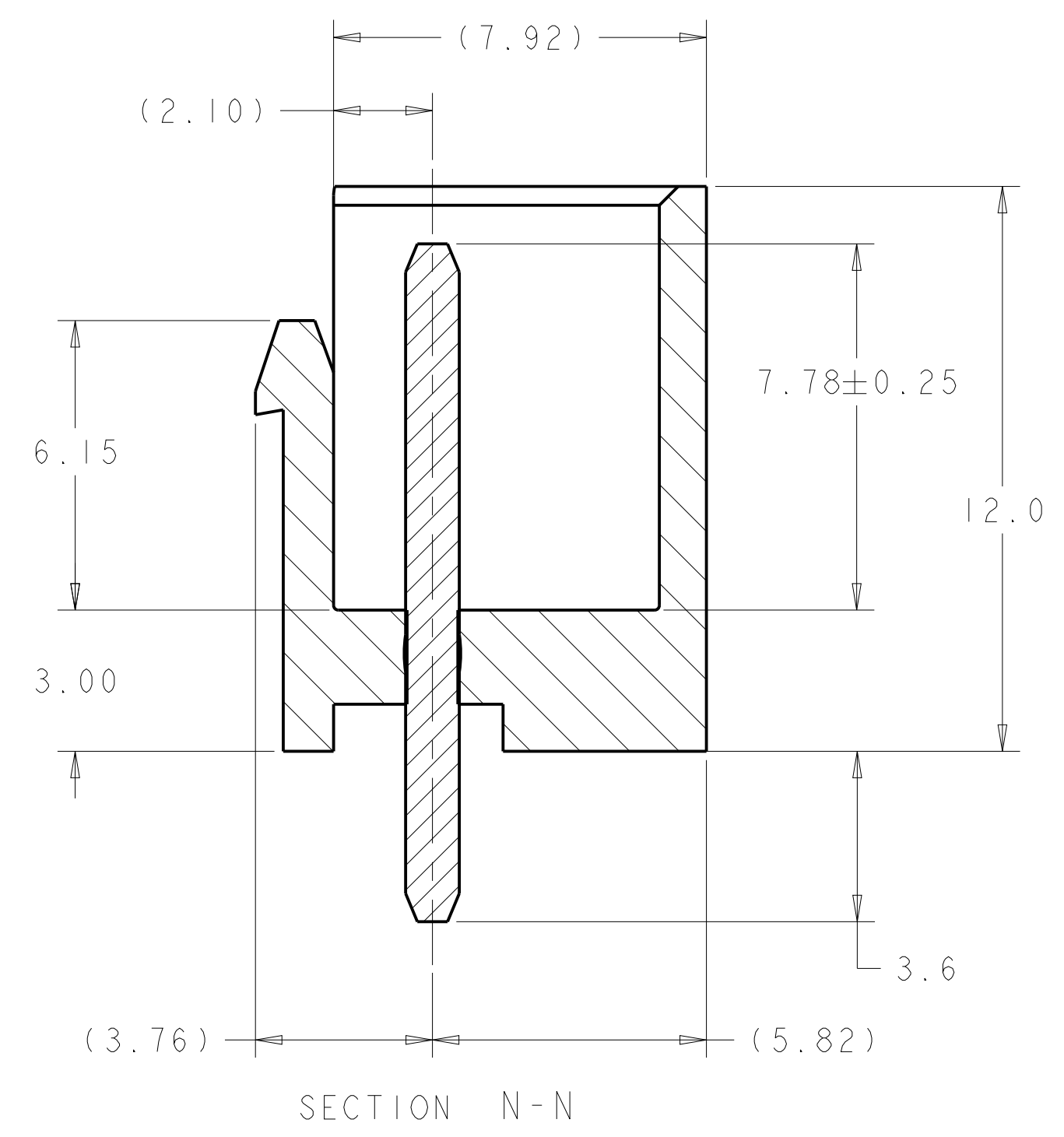
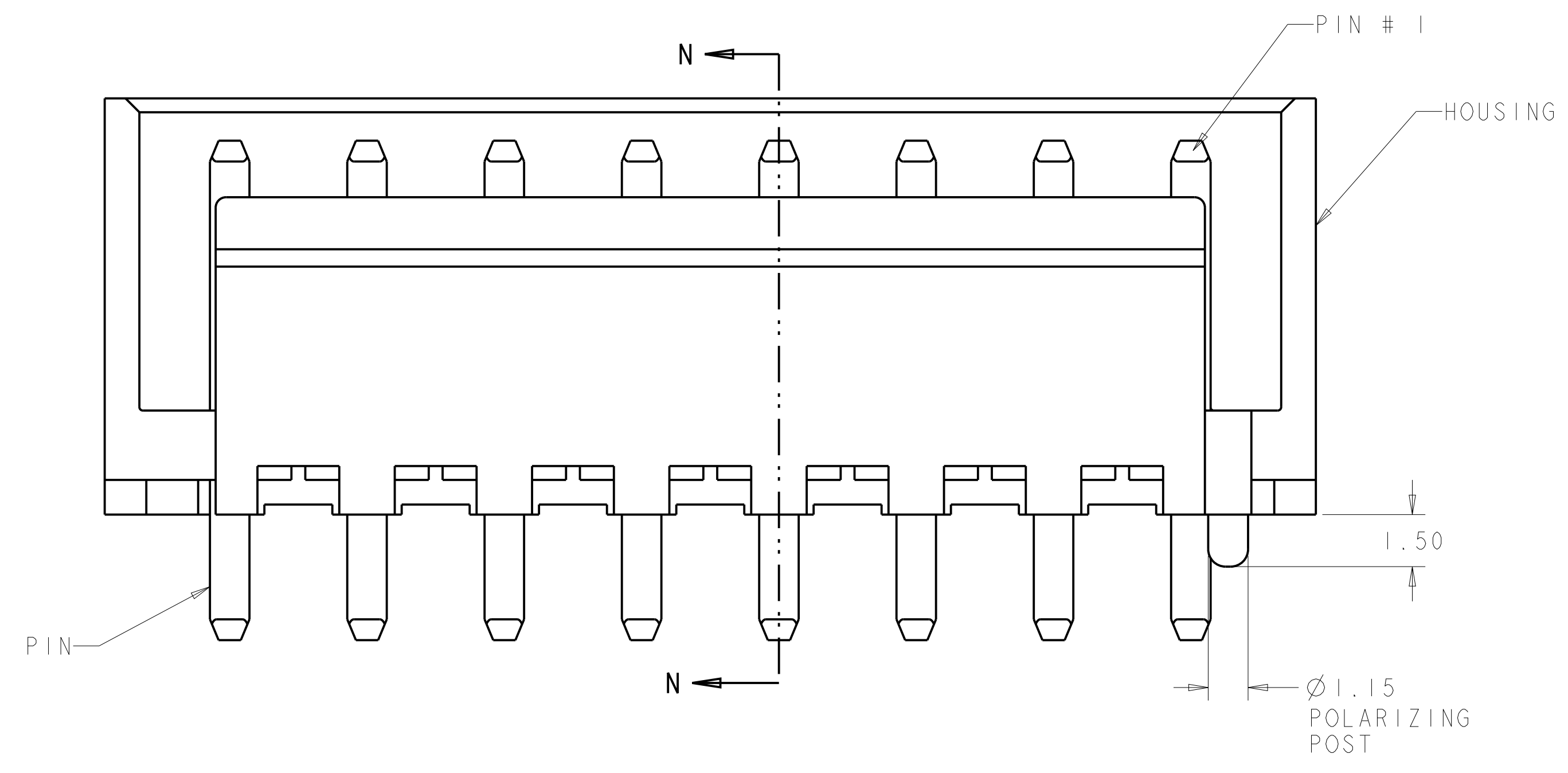


LOC	DIST	REV	DATE	BY	APPV
GP	00	A	07MAR2014	NK	TM



△ MATERIAL: HOUSING; PBT GLASS FILLED UL94V-0
PIN; BRASS, GRAY

△ FINISH: PIN, 1.0μm MIN TIN OVER 0.8μm MIN NICKEL.



50.77	12	1-1744487-2
46.81	11	1-1744487-1
42.85	10	1-1744487-0
38.89	9	1744487-9
34.93	8	1744487-8
30.97	7	1744487-7
27.01	6	1744487-6
23.05	5	1744487-5
19.09	4	1744487-4
15.13	3	1744487-3
11.17	2	1744487-2
DIM A	POS	ASSEMBLY PART NO

THIS DRAWING IS A CONTROLLED DOCUMENT.

DWN: KIRAN HOLLA 13AUG2012
 CHK: MACE SAM 13AUG2012
 APVD: MACE SAM 13AUG2012

DIMENSIONS: mm
 TOLERANCES UNLESS OTHERWISE SPECIFIED:
 0 PLC ±0.50
 1 PLC ±0.30
 2 PLC ±0.30
 3 PLC ±0.30
 4 PLC ±0.30
 ANGLES ±0.50

MATERIAL: △
 FINISH: △

WEIGHT: -
 Customer Drawing

SIZE: A1
 CAGE CODE: 100779
 DRAWING NO: 1744487

RESTRICTED TO: -

SCALE: 8:1 SHEET 1 OF 1 REV A

STE TE Connectivity

NAME: SHROUDED HEADER ASSEMBLY, SINGLE LATCH, 3.96mm PITCH, ECONOMY POWER (EP), GRAY

PRODUCT SPEC: 108-5609
 APPLICATION SPEC: -