

Faceplates MA Part number 89750162



- IP67 : sealing on front panel, panel-mounting of the Millenium 3
- IP40 : direct access to the front of the controller, possibility of labelling (laser marking)

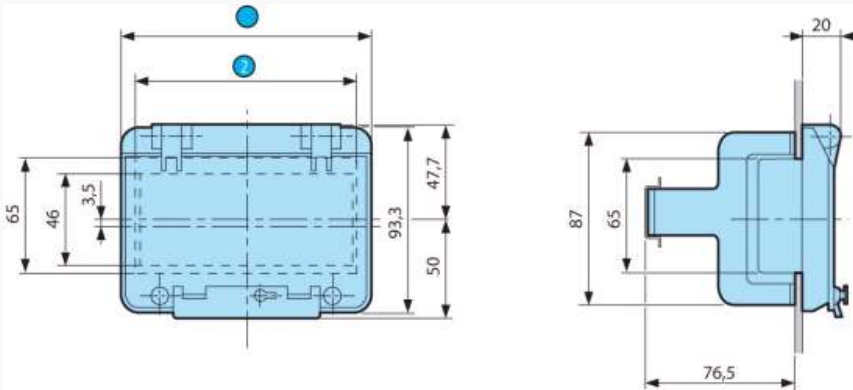
Part numbers

Type	Description
89750162 MA	IP67 sealed faceplate for the following products : - XD26 + XR06 or XN03 or XN05 or XA04- XD10 + XN03 or XA04 + XR10 or XR14- XD10 + XE10 + XR06 or XA04- XD26 + XN03 or XN05 + XR06 or XA04- XD26 + XR10 or XR14- XD10 + XE10 + XR10 or XR14 - XD26 + XE10 + XR06 or XA04- XD26 + XN03 or XN05 + XR10 or XR14

Specifications

Dimensions (mm)

IP67



N°	Legend
①	88750160 = 91 88750161 = 162 88750162 = 257.4
②	88750160 = 76.5 88750161 = 147.5 88750162 = 248.5