

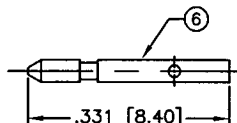
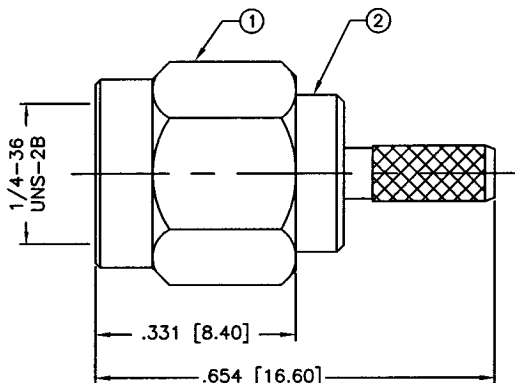
THIS DRAWING CONTAINS INFORMATION PROPRIETARY TO RF INDUSTRIES,
 ANY UNAUTHORIZED USE OF THIS DRAWING IS EXPRESSLY PROHIBITED
 WITHOUT WRITTEN PERMISSION FROM RF INDUSTRIES.
 ANY VIOLATION IS PUNISHABLE UNDER U.S. COPYRIGHT LAWS.

ALL DIMENSIONS ARE REFERENCE ONLY

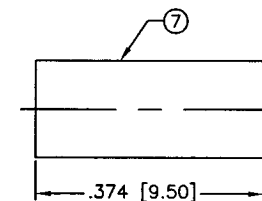
PART NO.

RSA-3000-1B1

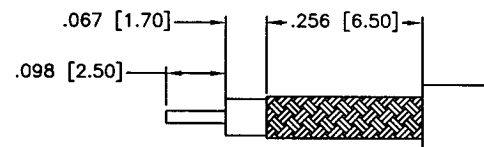
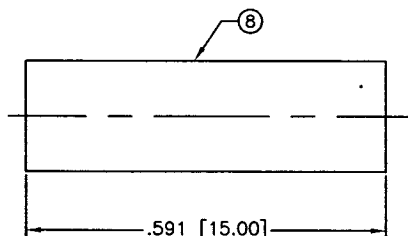
REV	DESCRIPTION	DWN	DATE	APPROVED
A	ENGINEERING RELEASE	CZS	9/9/99	R. RICE
B	CHG. PIN, FER. STUD, DWG. FORMAT, SPECS & DWG # 9196	CZS	8/16/01	JDMc



CONTACT PIN TO BE SOLDER
 IF CRIMPING USE
 RFA-4089 CRIMP TOOL



RECOMMENDED CRIMP DIE: .130



RECOMMENDED STRIPPING DIM'S

SPECIFICATIONS:

IMPEDANCE: 50 Ohms
 FREQUENCY RANGE: 0-12.4 GHz
 INSERTION LOSS(dB): $0.03 \times \sqrt{f(\text{GHz})}$
 VSWR: 1.3 MAX.
 WORKING VOLTAGE: 500 V rms Max. @ Sea Level
 INSULATION RESISTANCE: 5k M Ohms min.
 TEMPERATURE RANGE: -65°C TO 165°C
 (B1) RG-316/U DOUBLE SHIELD CABLE

1	SHELL	1	BRASS	GOLD, 3μ"
2	BODY	1	BRASS	GOLD, 3μ"
3	INSULATOR	1	PTFE	----
4	RETAINING RING	1	BeCu	----
5	GASKET	1	SILICONE	----
6	PIN	1	BRASS	GOLD, 50μ"
7	FERRULE	1	BRASS	GOLD, 3μ"
8	TUBING	1	HEAT SHRINK	----
9				
10				
11				
12				
13				
14				
#	DESCRIPTION	QTY	MATERIAL	FINISH

008974	
DRAWN	8/16/01
C. ZUNIGA	
CHECKED	8-21-01
ORJ DRAWN	9/9/99
C. ZUNIGA	
APPROVALS	DATE

UNLESS OTHERWISE SPECIFIED:
 1. REMOVE ALL BURRS
 2. BREAK ALL CORNERS & EDGES .005 R. MAX.
 3. CHAMFER 1ST & LAST THREADS 45°
 4. SURFACE ROUGHNESS 63 FINISH MIL-STD-10
 5. DIAMETERS ON COMMON CENTERS TO BE CONCENTRIC WITHIN .002 T.I.R.
 6. ALL DIMENSIONS ARE AFTER PLATING.

DIMENSIONS ARE IN INCHES AND [MILLIMETERS]
 UNLESS OTHERWISE NOTED TOLERANCES ARE:
 DECIMALS .xxx±.003 [.08]
 DIAMETER .xxx±.001 [.03]
 .xx±.005 [.13]

RF connectors
 DIVISION OF RF INDUSTRIES, LTD.

7610 MIRAMAR RD
 SAN DIEGO, CA 92126
 (858) 549-6340
 (858) 549-6345 FAX

SMA PLUG, CRIMP

SIZE	CABLE GROUP	DWG NO.	REV
A	B1	RSA-3000-1B1	B
SCALE:	NTS	CAD FILE	OUTLINE
			SHEET 1 OF 1