



Sealable cap for pushbutton, flat, 30 mm, clear

product brand name	SIRIUS ACT		
product designation	Sealable cap		
design of the product	for pushbuttons, flat		
product type designation	3SU1		
<b>General technical data</b>			
protection class IP	IP66, IP67, IP69(IP69K)		
degree of protection NEMA rating	1, 2, 3, 3R, 4, 4X, 12		
Substance Prohibitance (Date)	10/01/2014		
<b>Ambient conditions</b>			
ambient temperature	-40 ... +80 °C		
• during storage			
<b>Installation/ mounting/ dimensions</b>			
height	39.2 mm		
width	32.5 mm		
depth	22 mm		
<b>Accessories</b>			
material of accessory	Plastic		
color of accessory	sand gray		
<b>Certificates/ approvals</b>			
General Product Approval	Declaration of Conformity	Test Certificates	Marine / Shipping

[Confirmation](#)



[Type Test Certificates/Test Report](#)



Marine / Shipping

other



[Confirmation](#)

**Further information**

Siemens has decided to exit the Russian market (see here).  
<https://press.siemens.com/global/en/pressrelease/siemens-wind-down-russian-business>

Siemens is working on the renewal of the current EAC certificates.

Please contact your local Siemens office on the status of validity of the EAC certification if you intend to import or offer to supply these products to an EAC relevant market (other than the sanctioned EAEU member states Russia or Belarus).

Information on the packaging

<https://support.industry.siemens.com/cs/ww/en/view/109813875>

Information- and Downloadcenter (Catalogs, Brochures,...)

<https://www.siemens.com/ic10>

Industry Mall (Online ordering system)

<https://mall.industry.siemens.com/mall/en/en/Catalog/product?mifb=3SU1960-0DA70-0AA0>

Cax online generator

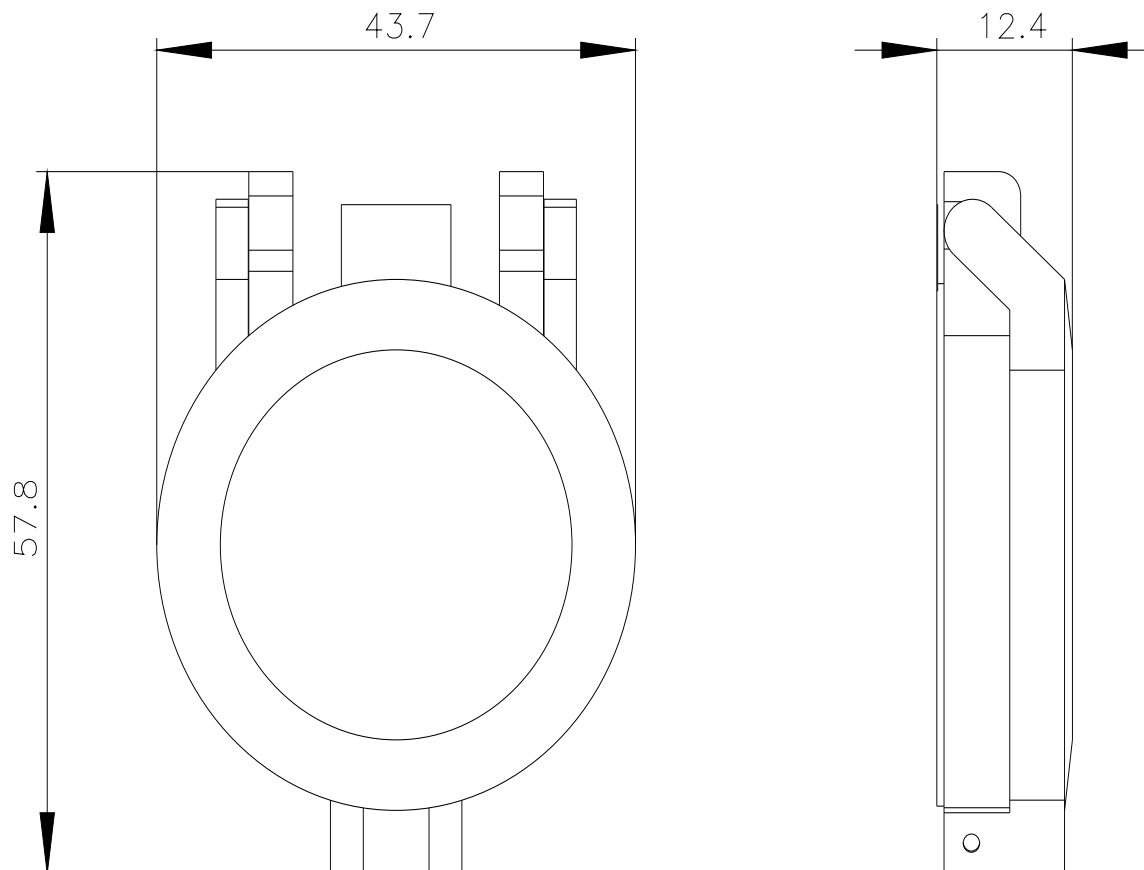
<http://support.automation.siemens.com/WW/CAXorder/default.aspx?lang=en&mifb=3SU1960-0DA70-0AA0>

Service&Support (Manuals, Certificates, Characteristics, FAQs,...)

<https://support.industry.siemens.com/cs/ww/en/ps/3SU1960-0DA70-0AA0>

Image database (product images, 2D dimension drawings, 3D models, device circuit diagrams, EPLAN macros, ...)

[http://www.automation.siemens.com/bilddb/cax\\_de.aspx?mifb=3SU1960-0DA70-0AA0&lang=en](http://www.automation.siemens.com/bilddb/cax_de.aspx?mifb=3SU1960-0DA70-0AA0&lang=en)



last modified:

1/18/2023 