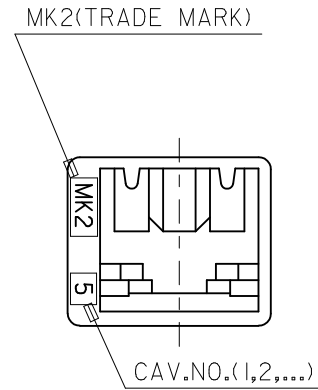
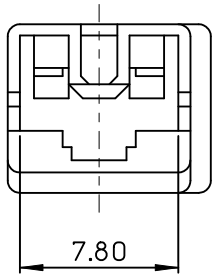
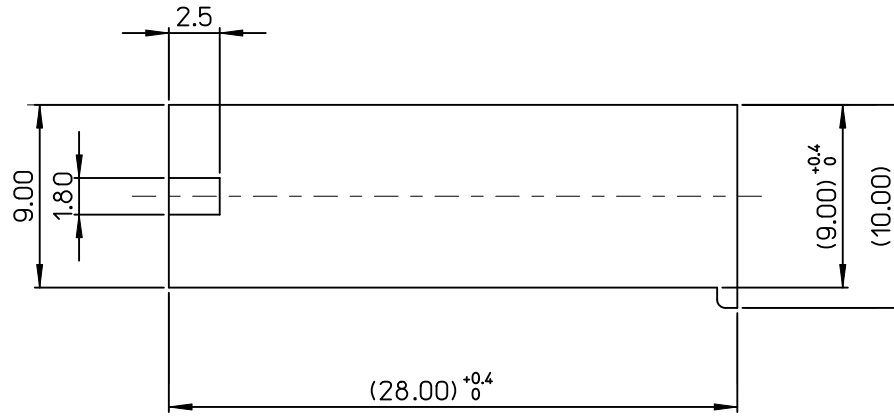
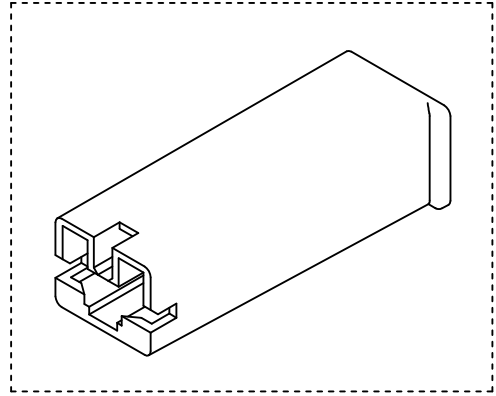


10 9 8 7 6 5 4 3 2 1



NOTES

1. MATERIAL & PART NO.

NO.	MATERIAL NO.	PART NO.	MATERIAL
1	351960110	35196-0110	PA66,UL94V-2
2	351960111	35196-0111	©PA66,UL94V-0

2. FINISH : NATURAL COLOR

3. APPLICABLE TERMINAL : 35072-9*02

REVISED EC NO: KOR2011-0074 DRWN: JHPARK01 2011/01/26 CHKD: SH. CHU 2011/01/26 APPR: YUNSIKIM 2011/01/27	DESCRIPTION REV	QUALITY SYMBOLS ▽=0 ▽=0	GENERAL TOLERANCES (UNLESS SPECIFIED)		DIMENSION STYLE MM ONLY		SCALE 4:1	DESIGN UNITS METRIC	THIRD ANGLE PROJECTION	
			mm	INCH	DRAWN BY WY. YANG	DATE 1996/03/19	TITLE .250 P-LOCK HOUSING-1P			
			4 PLACES ± ---	± ---	CHECKED BY BK. CHOI	DATE 1996/03/19				
			3 PLACES ± ---	± ---	APPROVED BY CW. LEE	DATE 1996/03/19				
	2 PLACES ± 0.3	± ---	MATERIAL NO. SEE NOTE		DOCUMENT NO. SD-35196-0110		SHEET NO. 1 OF 01			
	1 PLACE ± 0.3	± ---	DRAFT WHERE APPLICABLE MUST REMAIN WITHIN DIMENSIONS							
			ANGULAR ± 1 °		THIS DRAWING CONTAINS INFORMATION THAT IS PROPRIETARY TO MOLEX INCORPORATED AND SHOULD NOT BE USED WITHOUT WRITTEN PERMISSION					

9 8 7 6 5 4 3 2 1