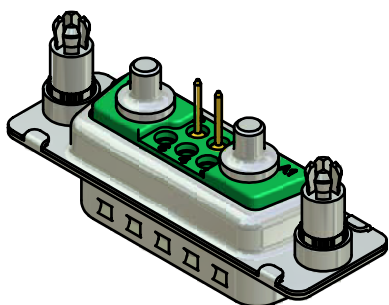
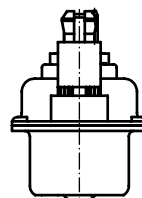
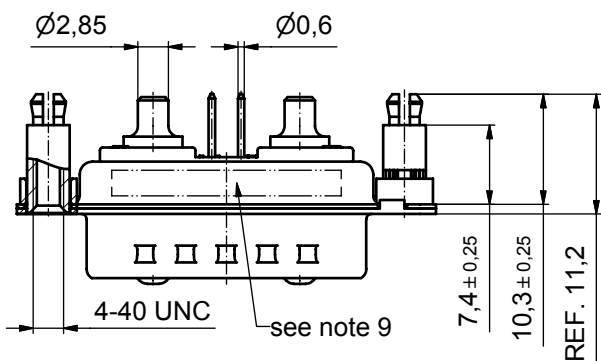
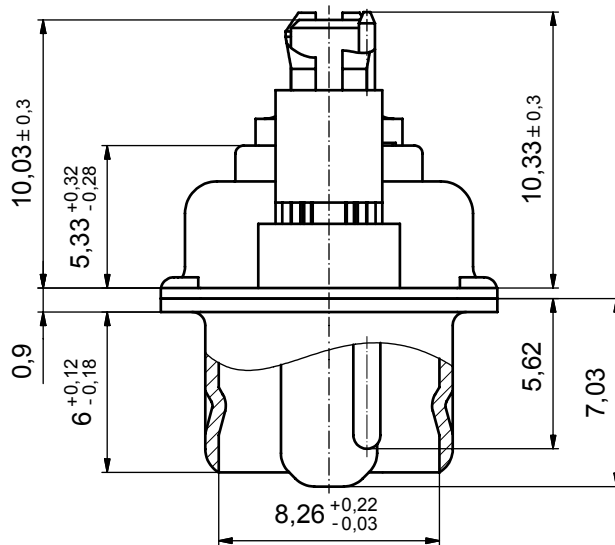
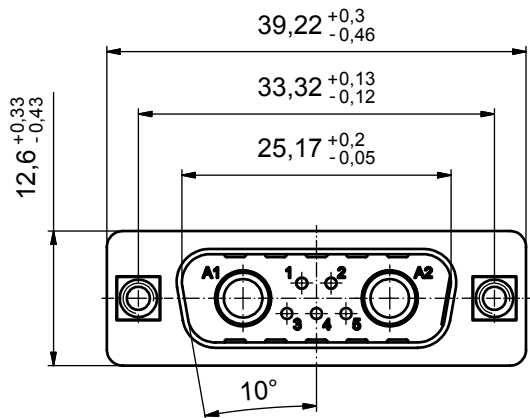


(5:1)



Directive 2002/95/EC  
RoHS  
Compliant

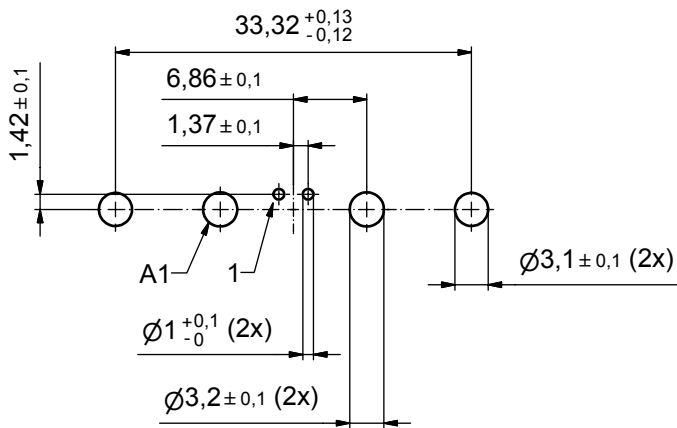
NOTES:

- METALSHELLS: STEEL; min. 315µin TIN over 40-80µin NICKEL
- INSULATORS: PBT GF UL 94 V-0; GREEN
- HIGH POWER CONTACTS 20A: COPPER ALLOY  
PLATING MATING AREA: 30µin HARD GOLD over min. 50µin NICKEL  
PLATING TERMINATION SIDE: 160-240µin TIN over 80µin NICKEL  
MALE CONTACT ON POS. A1 and A2
- SIGNAL CONTACTS: COPPER ALLOY; 7,5A nominal  
PLATING MATING AREA: 30µin HARD GOLD over min. 50µin NICKEL  
MALE CONTACTS ON POS. 1 and 2, NO CONTACTS ON POS. 3, 4, 5
- THREADED SPACER CLIP: COPPER ALLOY; min. 200µin TIN over 80µin NICKEL  
PCB-HOLE:  $\varnothing 3,1 \pm 0,1$ mm; PCB-THICKNESS: 1,6mm
- P.C.B. HOLE DRILLINGS ON SHEET 2
- COLLAR: COPPER ALLOY; min. 200µin TIN over 80µin NICKEL
- MAXIMUM TORQUE VALUE FOR THREAD: 6" LBS
- CONNECTOR IS PART MARKED: 13-000121 CONEC ABC

APPROVAL # FREIGABE # DEBLOCAGE # AUTORIZACION # APPROVAL	
CUSTOMER APPROVAL DATE:	
NAME:	TITLE:
COMPANY NAME:	
APPROVAL # FREIGABE # DEBLOCAGE # AUTORIZACION # APPROVAL	

THIS DRAWING MAY NOT BE COPIED OR REPRODUCED IN ANY WAY, AND MAY NOT BE PASSED ON TO A THIRD PARTY WITHOUT WRITTEN PERMISSION. OWNERSHIP AND COPYRIGHT OF CONEC GmbH				tolerance		dim. in mm	scale:	2:1 (5:1)	
				date			material:		see notes
DO NOT ALTER CAD DRAWING BY HAND		drawn	15.06.07	name		title:			
a Origin		appd.	15.06.07	norm		Micro TCA Single Port			
rev.		description	date	d-old		Power Module Input Connector Male			
						dwg no:		Inventor 10	DIN-A3
								13K1A2067	sh: 1
						part no:		13-000121	





APPROVAL # FREIGABE # DEBLOCAGE # AUTORIZACION # APPROVAL	
CUSTOMER APPROVAL DATE:	
NAME:	TITLE:
COMPANY NAME:	
APPROVAL # FREIGABE # DEBLOCAGE # AUTORIZACION # APPROVAL	

THIS DRAWING MAY NOT BE COPIED OR REPRODUCED IN ANY WAY, AND MAY NOT BE PASSED ON TO A THIRD PARTY WITHOUT WRITTEN PERMISSION. OWNERSHIP AND COPYRIGHT OF CONEC GmbH				tolerance		 dim. in mm	
				date	name		
drawn	15.06.07	Schmidt	DO NOT ALTER CAD DRAWING BY HAND a Origin				
appd.	15.06.07	Koch					
norm							
d-old							
rev.	description	date	name				

scale: 2:1	
material: see sheet 1	
title: P.C.B. HOLE DRILLINGS MicroTCA Male Single Port Power Module Input Connector	
dwg no: Inventor 10	DIN-A3
13K1A2067	
sh: 2	
part no: see sheet 1	