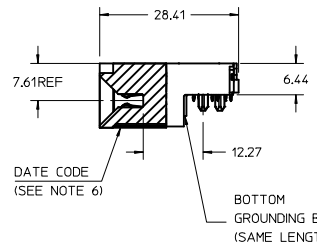
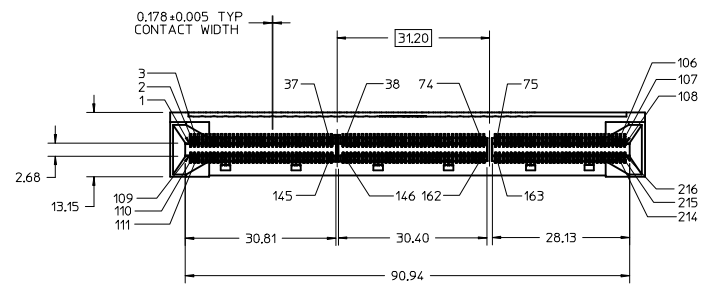
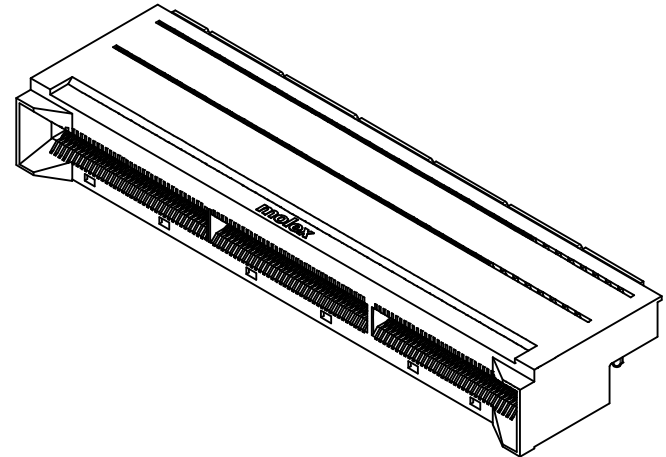
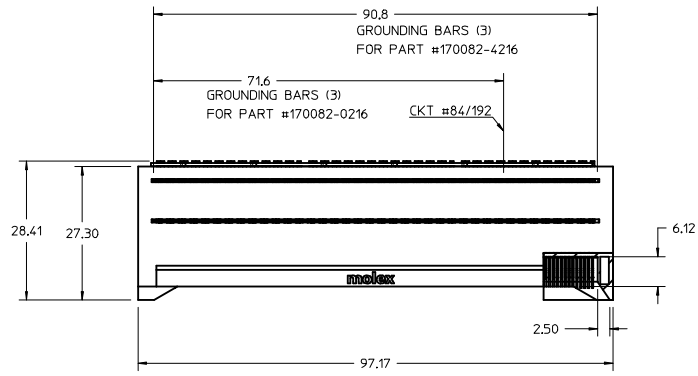


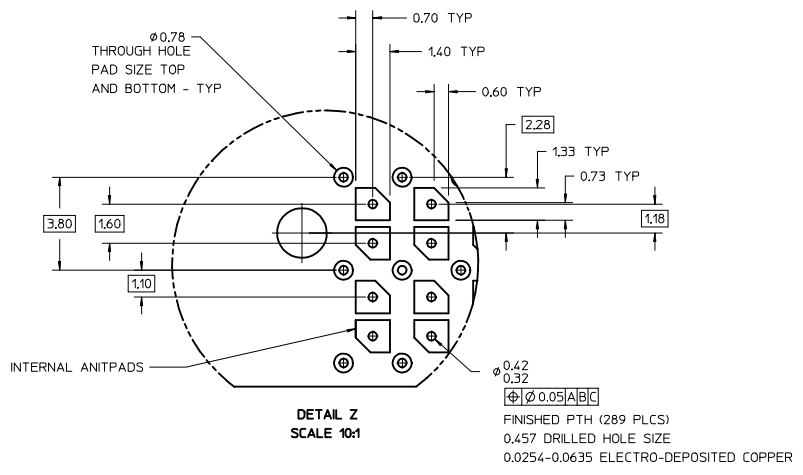
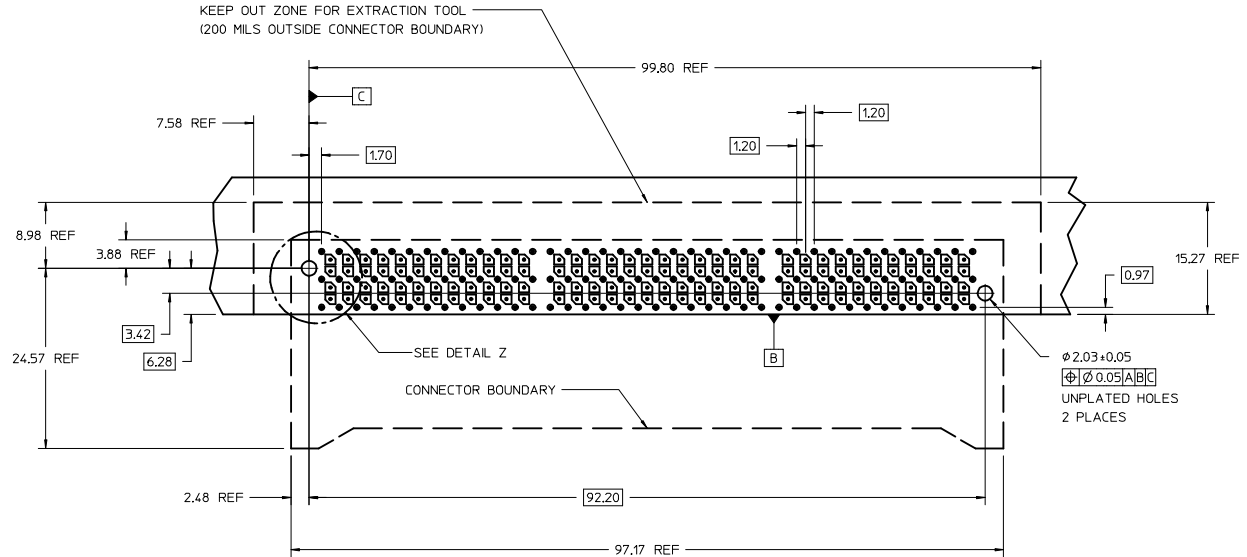
PART NUMBER	GROUNDING BAR LENGTH
170082-0216	71.6
170082-4216	90.8



NOTES:

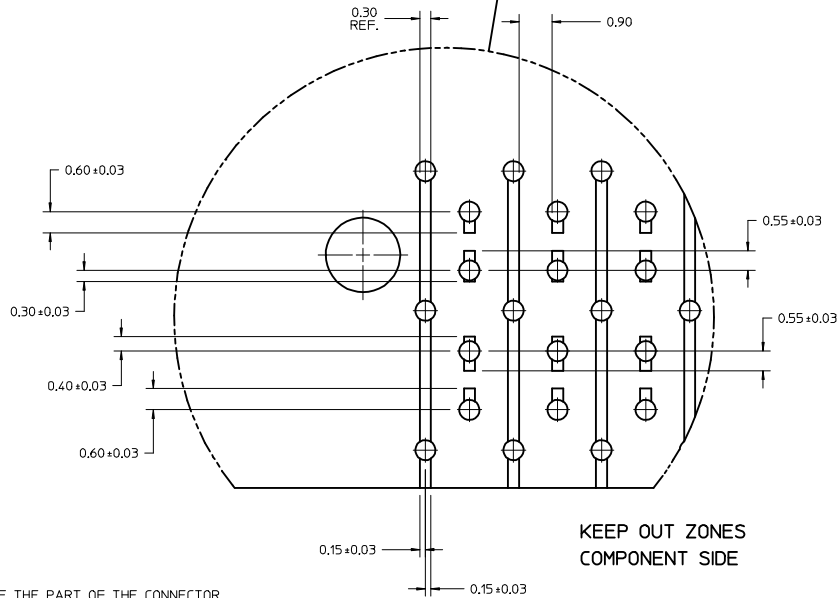
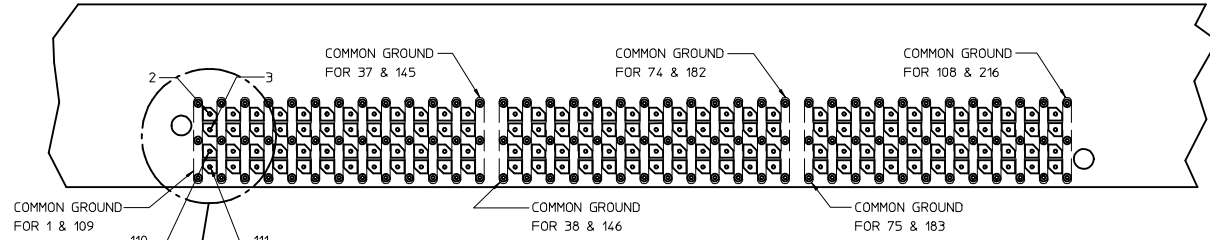
- MATERIAL -  
CONNECTOR HOUSING: GLASS FILLED LCP, 94V-0, BLACK  
OVERMOLDING ON TERMINALS: GLASS FILLED LCP, 94V-0, BLACK  
TERMINALS: COPPPER ALLOY, SPRING TEMPER  
GROUNDING BAR: COPPER ALLOY  
STIFFENER: 400 SERIES STAINLESS
- TERMINAL FINISH (LEAD-FREE)  
CONTACT AREA: .754mm HARD GOLD OVER 3.84mm MIN NICKEL.  
COMPLAIANT PIN AREA: .075-1.504mm 90/10 TIN OVER 1.254mm MIN. NICKEL.
- REFER TO PRODUCT SPEC, PS-170082-0001 FOR ALL ELECTRICAL, MECHANICAL AND ENVIROMENTAL SPECIFICATIONS.
- REFER TO PK-170082-0001 FOR ALL PACKAGING SPECIFICATIONS.
- REFER TO AS-170082-0001 FOR ALL APPLICATION INFORMATION.
- DATE CODE AND ASSEMBLY PART NUMBER TO BE LASER ETCHED OR ON LABEL LOCATED ON THE BOTTOM OF THE PART, DATE CODE TO BE IN THE FORMAT OF, DAY OF THE YEAR AND LAST DIGIT OF THE YEAR, (DDDDYY).
- PRODUCT IS RoHS COMPLIANT.

<b>CORRECT TYPO</b> EC NO: UCP2016-3238 DRWNSVANG01 2016/02/18 CHYKMCAN 2016/02/18 APPROV: MCGOMAN 2016/02/29	QUALITY SYMBOLS ▽=0 ▽=0 ▽=0	GENERAL TOLERANCES (UNLESS SPECIFIED) mm INCH 4 PLACES +--- +--- 3 PLACES +--- +--- 2 PLACES +0.13 +--- 1 PLACE ±0.25 +--- 0 PLACE +--- +---		DIMENSION STYLE <b>MM ONLY</b> DRAWN BY DATE MWOLFE 2015/03/02 CHECKED BY DATE MPOFF 2015/03/02 APPROVED BY DATE		SCALE <b>2:1</b>	DESIGN UNITS <b>METRIC</b>	THIRD ANGLE PROJECTION
		TITLE <b>SALES DRAWING FOR COPLANAR 093 216 CIRCUIT CONNECTOR</b>						
		MATERIAL NO. <b>170082-216</b>		DOCUMENT NO. <b>SD-170082-0216</b>		SHEET NO. <b>1 OF 4</b>		



RECOMMENDED TAIL PATTERN  
WITH INTERNAL ANTI-PADS SHOWN

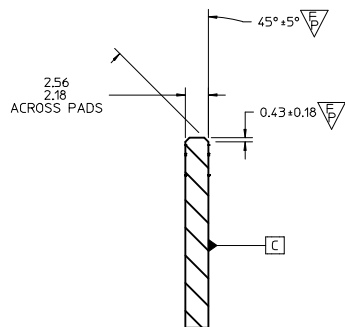
SEE SHEET 1 IEC NO: UCP2016-3238 DRAWNSYANG01 2016/02/18 CHYOKICAN 2016/02/18 APPROV:MCIGMAN 2016/02/29 REV:	QUALITY SYMBOLS	GENERAL TOLERANCES (UNLESS SPECIFIED)	DIMENSION STYLE	SCALE	DESIGN UNITS	THIRD ANGLE PROJECTION
	▽=0 ▽=0 ▽=0	mm INCH 4 PLACES ± --- ± --- 3 PLACES ± --- ± --- 2 PLACES ± 0.13 ± --- 1 PLACE ± 0.25 ± --- 0 PLACE ± --- ± ---	MM ONLY	3:1	METRIC	TITLE SALES DRAWING FOR COPLANAR 093 216 CIRCUIT CONNECTOR <b>molex</b>
	ANGULAR ±1/2° DRAFT WHERE APPLICABLE MUST REMAIN WITHIN DIMENSIONS	DRAWN BY DATE MWOLFE 2015/03/02 CHECKED BY DATE MPOFF 2015/03/02 APPROVED BY DATE	MATERIAL NO. 170082-*216	DOCUMENT NO. SD-170082-0216	SHEET NO. 2 OF 4	
	THIS DRAWING CONTAINS INFORMATION THAT IS PROPRIETARY TO MOLEX INCORPORATED AND SHOULD NOT BE USED WITHOUT WRITTEN PERMISSION					



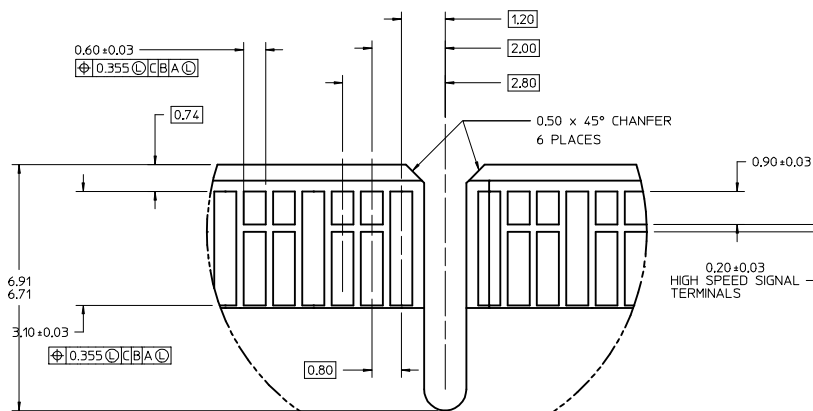
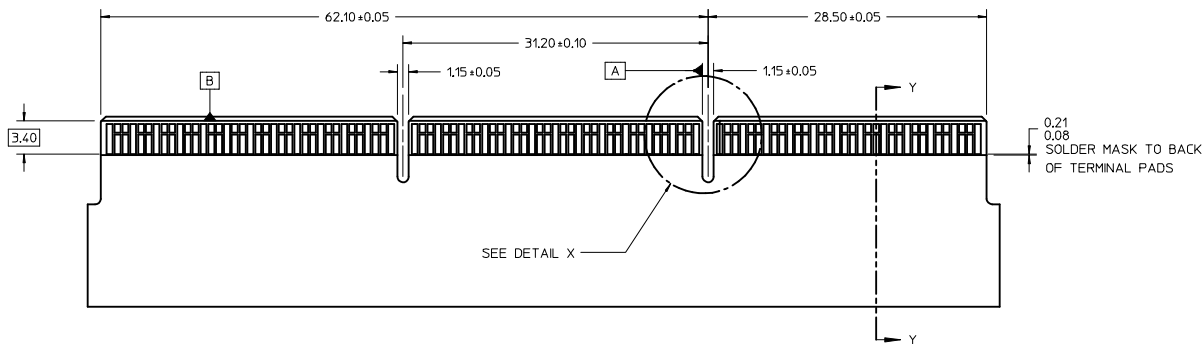
KEEP OUT ZONES  
COMPONENT SIDE

NOTE:  
1. KEEP-OUT ZONES INDICATE THE PART OF THE CONNECTOR THAT MAY COME IN CONTACT WITH THE PCB. IT IS RECCOMENDED TO ROUTE TRACES AWAY FROM THESE AREAS.

SEE SHEET 1 EC NO: UCP2016-3238 DRAWNSVANG01 2016/02/18 CHYKMCAN 2016/02/18 APPROVINGCOMAN 2016/02/29	QUALITY SYMBOLS ▽=0 ▽=0 ▽=0	GENERAL TOLERANCES (UNLESS SPECIFIED) mm INCH 4 PLACES ±--- ±--- 3 PLACES ±--- ±--- 2 PLACES ±0.13 ±--- 1 PLACE ±0.25 ±--- 0 PLACE ±--- ±--- ANGULAR ±1/2° DRAFT WHERE APPLICABLE MUST REMAIN WITHIN DIMENSIONS	DIMENSION STYLE MM ONLY	SCALE 4:1	DESIGN UNITS METRIC	THIRD ANGLE PROJECTION
	DRAWN BY MWOLFE	DATE 2015/03/02	CHECKED BY MPOFF	DATE 2015/03/02	APPROVED BY DATE	TITLE SALES DRAWING FOR COPLANAR 093 216 CIRCUIT CONNECTOR
			DOCUMENT NO. SD-170082-0216	SHEET NO. 3 OF 4		
THIS DRAWING CONTAINS INFORMATION THAT IS PROPRIETARY TO MOLEX INCORPORATED AND SHOULD NOT BE USED WITHOUT WRITTEN PERMISSION						



SECTION Y-Y



DETAIL X  
SCALE 15:1

DIMENSIONS APPLY TO PADS ON BOTH SIDES OF THE BOARD.

SEE SHEET 1 EIC NO: LCP2016-3238 DRAWNSVANG01 CHYKHCAN APPRO:DMCGMAN	2016/02/18 2016/02/18	QUALITY SYMBOLS ▽=0 ▽=0 ▽=0	GENERAL TOLERANCES (UNLESS SPECIFIED) mm INCH 4 PLACES ±--- ±--- 3 PLACES ±--- ±--- 2 PLACES ±0.13 ±--- 1 PLACE ±0.25 ±--- 0 PLACE ±--- ±--- ANGULAR ±1/2° DRAFT WHERE APPLICABLE MUST REMAIN WITHIN DIMENSIONS	DIMENSION STYLE MM ONLY	SCALE 4:1	DESIGN UNITS METRIC	THIRD ANGLE PROJECTION	
	DRAWN BY MWOLFE	DATE 2015/03/02	CHECKED BY YPOFF	DATE 2015/03/02	APPROVED BY DATE	MATERIAL NO. 170082-*216	DOCUMENT NO. SD-170082-0216	TITLE SALES DRAWING FOR COPLANAR 093 216 CIRCUIT CONNECTOR
	SIZE D			THIS DRAWING CONTAINS INFORMATION THAT IS PROPRIETARY TO MOLEX INCORPORATED AND SHOULD NOT BE USED WITHOUT WRITTEN PERMISSION				
							SHEET NO. 4 OF 4	