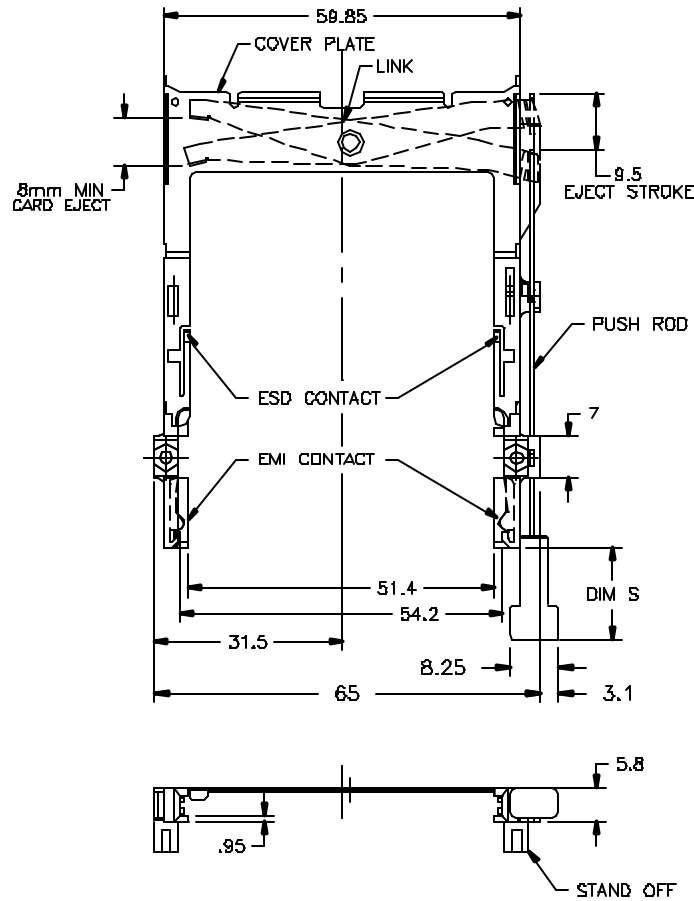


PRODUCT NO. NOTE ①	DIM L	DIM S
72337-0DDCA	0	13
72337-02DCA	2	
72337-022CA	2.2	
72337-04DCA	4	
72337-043CA	4.3	
72337-050CA	5	15.6
72337-0DDDA	0	
72337-02DDA	2	
72337-022DA	2.2	
72337-04DDA	4	
72337-043DA	4.3	21
72337-05DDA	5	
72337-000FA	0	
72337-020FA	2	
72337-022FA	2.2	
72337-04DFA	4	
72337-043FA	4.3	
72337-05DFA	5	

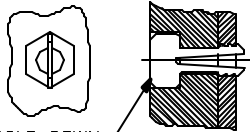


Tous droits strictement réservés. Reproduction ou communication à des tiers  
 interdite sous quelque forme que ce soit sans autorisation écrite du propriétaire.  
 Propriété de © FCI. Droits de reproduction FCI.

All rights strictly reserved. Reproduction or issue to third parties in any  
 form whatever is not permitted without written authority from the proprietor.  
 Property of FCI. Copyright FCI.

NOTES:

① ADD "H" TO PART NUMBER FOR  
OPTIONAL HOLD DOWN (2 PER ASSEMBLY).



2. LINK TO MOVE ALONG INSIDE WALL  
OF COVER PLATE SMOOTHLY AFTER ASSEMBLING  
WITH HEADER.

3. MATERIAL:  
 PLASTIC GUIDES: POLYPHTHARAMIDE UL94V-0  
 COLOR: BLACK  
 COVER PLATE: STAINLESS STEEL  
 EMI CONTACT: PHOSPHOR BRONZE

4. FINISH:  
 EMI CONTACT: CONTACT AREA: 0.5um Au  
 UNDER PLATING: 2.0um Ni

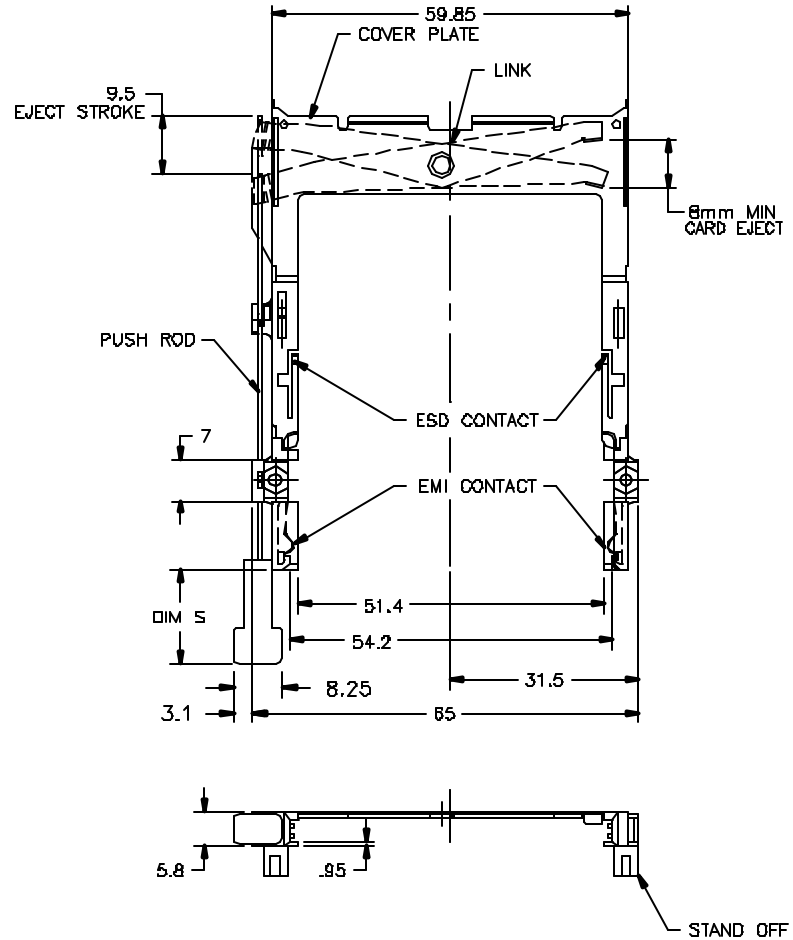
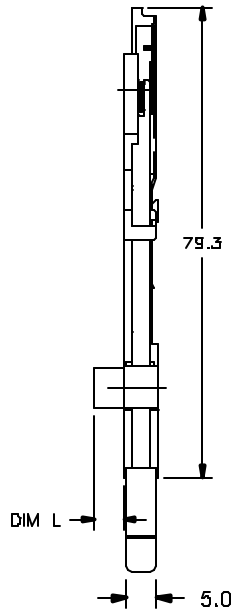
5. RECOMMENDED SCREW TORQUE:  
 1.0-1.5 MAX IN-LBS(1.2-1.7 CM-KGS)

mat'l. code				tolerances unless otherwise specified			CUSTOMER COPY		FCI Electronics www.fciconnect.com		
ltr	ecn no	dr	date	linear	.X±.3	projection	title				
A	V81135	RHG	8/9/98		.XX±.13		NARROW BODY FRONT EJECT MECHANISM ASSEMBLY TYPE 123				
B	T7DD9D	RHG	4/28/97	angles	.XXX±.051		product family MCA code -				
C	V12231	TFG	8/18/01		0° ±Z		size		sheet		
				dr	R, GRAPE		5/30/98	dwg no		1 of 2	
				enrg	J.SPICKLER		5/30/98	A4		72337	
				chr	J.SPICKLER		5/30/98	1:1			
				appd	J.SPICKLER	5/30/98					
sheet index	revision sheet	C	C								
		1	2								

Tous droits strictement réservés. Reproduction ou communication à des tiers interdite sans aucune forme que ce soit sans autorisation écrite du propriétaire. Propriété de c FCI. Droits de reproduction FCI.

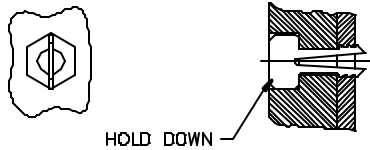
All rights strictly reserved. Reproduction or issue to third parties in any form whatever is not permitted without written authority from the proprietor. Property of FCI. Copyright FCI.

PRODUCT NO. NOTE ①	DIM L	DIM S
72337-10DCA	0	13
72337-12DCA	2	
72337-122CA	2.2	
72337-14DCA	4	
72337-143CA	4.3	
72337-150CA	5	15.8
72337-10DDA	0	
72337-12DDA	2	
72337-122DA	2.2	
72337-14DDA	4	
72337-143DA	4.3	
72337-15DDA	5	21
72337-100FA	0	
72337-120FA	2	
72337-122FA	2.2	
72337-14DFA	4	
72337-143FA	4.3	
72337-15DFA	5	



NOTES:

① ADD "H" TO PART NUMBER FOR OPTIONAL HOLD DOWN (2 PER ASSEMBLY).



- LINK TO MOVE ALONG INSIDE WALL OF COVER PLATE SMOOTHLY AFTER ASSEMBLING WITH HEADER.
- MATERIAL:  
PLASTIC GLIDES: POLYPHTHARAMIDE UL94V-0  
COLOR: BLACK  
COVER PLATE: STAINLESS STEEL  
EMI CONTACT: PHOSPHOR BRONZE
- FINISH:  
EMI CONTACT: CONTACT AREA: 0.5um Au  
UNDER PLATING: 2.0um Ni
- RECOMMENDED SCREW TORQUE:  
1.0-1.5 MAX IN-LBS(1.2-1.7 CM-KGS)

mat'l. code		tolerances unless otherwise specified		CUSTOMER COPY		FCI Electronics	
ltr	ecn no	dr	date	linear	.X±.3	projection	title
C				angles	.XX±.13		NARROW BODY FRONT EJECT MECHANISM ASSEMBLY TYPE 123
					.XXX±.051		
				dr	0° ±Z	MM	MCS
				enr	R.GRAPE 5/30/98		size
				chr	J.SPICKLER 5/30/98		dwg no
				appd	J.SPICKLER 5/30/98		72337
sheet index	revision sheet					scale	sheet 2 of
						1:1	A4

cage code 22526