

103455-1 ✓ ACTIVE

AMPMODU | AMPMODU IV/V

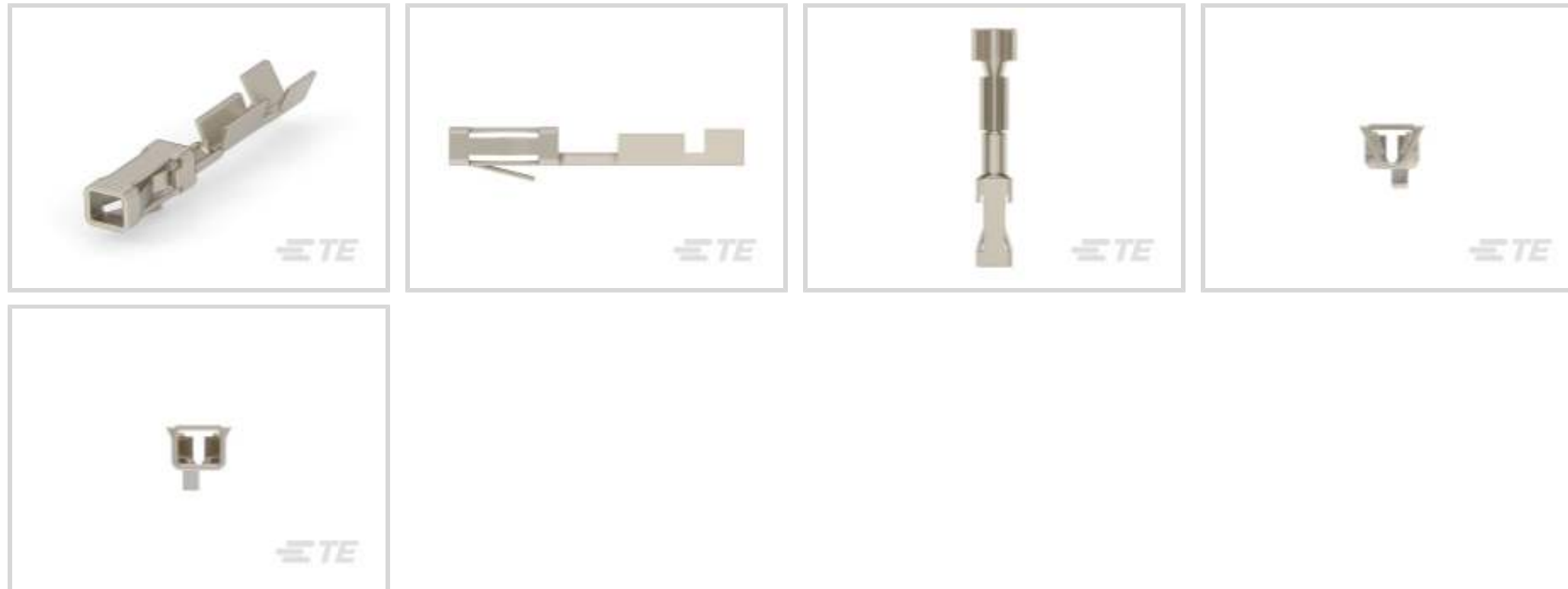
TE Internal #: 103455-1

Connector Contact, Socket, Wire-to-Board, 32 – 27 AWG Wire Size,
59.2 – 197.35 CMA Wire Size, .03 – .1 mm² Wire Size, Gold, Reel,
AMPMODU IV/V

[View on TE.com >](#)



Connectors > PCB Connectors > Wire-to-Board Connectors > Wire-to-Board Connector Contacts



Contact Type: **Socket**

Connector System: **Wire-to-Board**

Wire Size: **.03 – .1 mm²**

Features

Product Type Features

Applied Pressure	High
Connector System	Wire-to-Board
Connector & Contact Terminates To	Wire & Cable

Configuration Features

Compatible With Wire & Cable Type	Discrete Wire
-----------------------------------	---------------

Electrical Characteristics

Termination Resistance	12 mΩ
Insulation Resistance	5000 MΩ
Dielectric Withstanding Voltage (Max)	750 V
Operating Voltage	250 VAC

Contact Features

Mating Square Post Dimension	.64 mm[.025 in]
Wire Contact Termination Area Plating Material	Gold Flash
	30 μin
Contact Base Material	Phosphor Bronze



Contact Type	Socket
Contact Mating Area Plating Material	Gold
Contact Current Rating (Max)	3 A

Termination Features

Termination Method to Wire & Cable	Crimp
------------------------------------	-------

Mechanical Attachment

Wire Insulation Support	With
-------------------------	------

Dimensions

Compatible Insulation Diameter Range	1.02 mm[.04 in]
Wire Size	.03 – .1 mm ²

Usage Conditions

Operating Temperature Range	-65 – 105 °C[-85 – 221 °F]
-----------------------------	----------------------------

Operation/Application

Circuit Application	Power & Signal
---------------------	----------------

Industry Standards

Approved Standards	CSA LR7189, UL E28476
--------------------	-----------------------

Packaging Features

Packaging Quantity	12500
Packaging Method	Reel

Other

Connector Contacts Comment	(*) For use with Model "K" machines. Call the Technical Assistance Center (1-800-522-6752) for any tooling questions.
----------------------------	---

Product Compliance

For compliance documentation, visit the product page on [TE.com](https://www.te.com)>

EU RoHS Directive 2011/65/EU	Compliant
EU ELV Directive 2000/53/EC	Compliant
China RoHS 2 Directive MIIT Order No 32, 2016	No Restricted Materials Above Threshold
EU REACH Regulation (EC) No. 1907/2006	Current ECHA Candidate List: JUNE 2023 (235) Candidate List Declared Against: JAN 2023 (233) Does not contain REACH SVHC

Halogen Content

Low Halogen - Br, Cl, F, I < 900 ppm per homogenous material. Also BFR/CFR/PVC Free

Solder Process Capability

Not applicable for solder process capability

Product Compliance Disclaimer

This information is provided based on reasonable inquiry of our suppliers and represents our current actual knowledge based on the information they provided. This information is subject to change. The part numbers that TE has identified as EU RoHS compliant have a maximum concentration of 0.1% by weight in homogenous materials for lead, hexavalent chromium, mercury, PBB, PBDE, DBP, BBP, DEHP, DIBP, and 0.01% for cadmium, or qualify for an exemption to these limits as defined in the Annexes of Directive 2011/65/EU (RoHS2). Finished electrical and electronic equipment products will be CE marked as required by Directive 2011/65/EU. Components may not be CE marked. Additionally, the part numbers that TE has identified as EU ELV compliant have a maximum concentration of 0.1% by weight in homogenous materials for lead, hexavalent chromium, and mercury, and 0.01% for cadmium, or qualify for an exemption to these limits as defined in the Annexes of Directive 2000/53/EC (ELV). Regarding the REACH Regulation, the information TE provides on SVHC in articles for this part number is based on the latest European Chemicals Agency (ECHA) 'Guidance on requirements for substances in articles' posted at this URL: <https://echa.europa.eu/guidance-documents/guidance-on-reach>

Compatible Parts



TE Part # 1-87499-7
10 MODIV HSG SR MRKD .100CL



TE Part # 1-102387-2
64 MODIV HSG COMP DR .100 POL



TE Part # 1-87631-2
16 MODIV HSG DR MRKD .100 POL



TE Part # 87499-7
04 MODIV HSG SR MRKD .100CL



TE Part # 1-87456-5
20 MODIV HSG COMP DR .100CL



TE Part # 1-87631-6
20 MODIV HSG DR MRKD .100 POL



TE Part # 1-102387-0
50 MODIV HSG COMP DR .100 POL



TE Part # 87977-8
20 MODIV HSG DR MRKD .100 POL



TE Part # 102387-5
24 MODIV HSG COMP DR .100 POL



TE Part # 102241-6
08 MODIV HSG COMP SR .100 POL



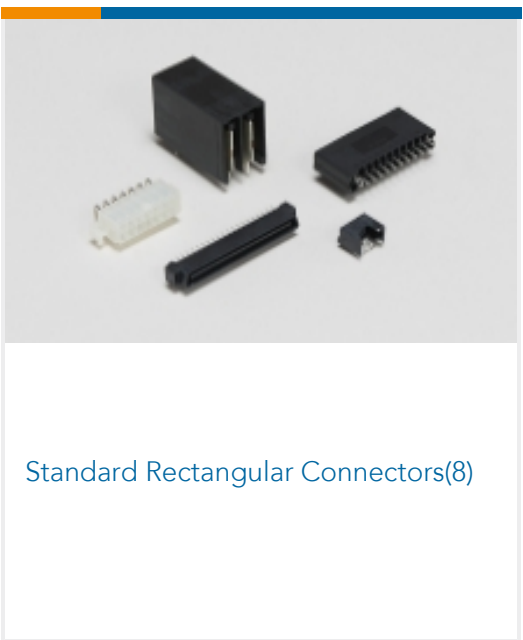
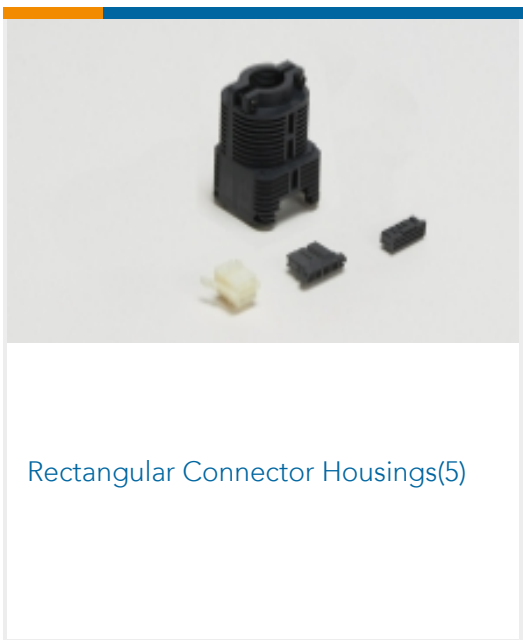
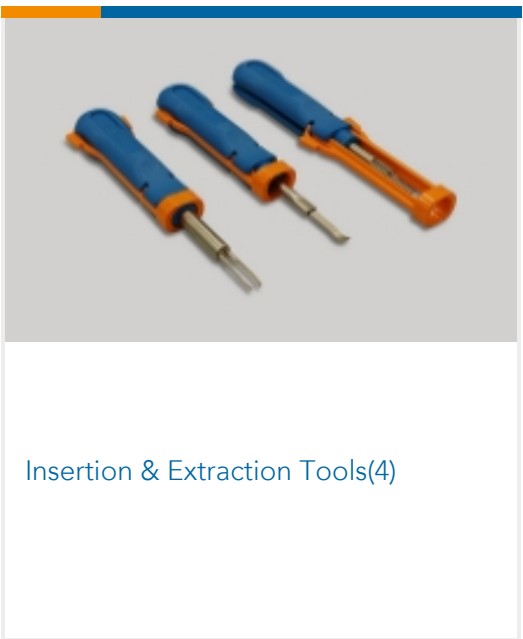
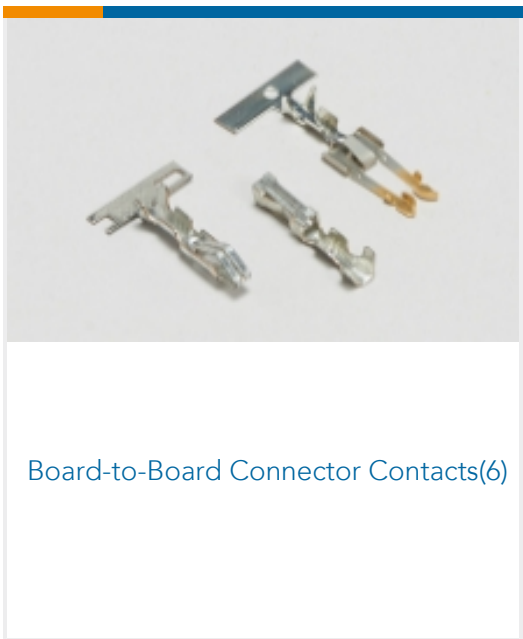
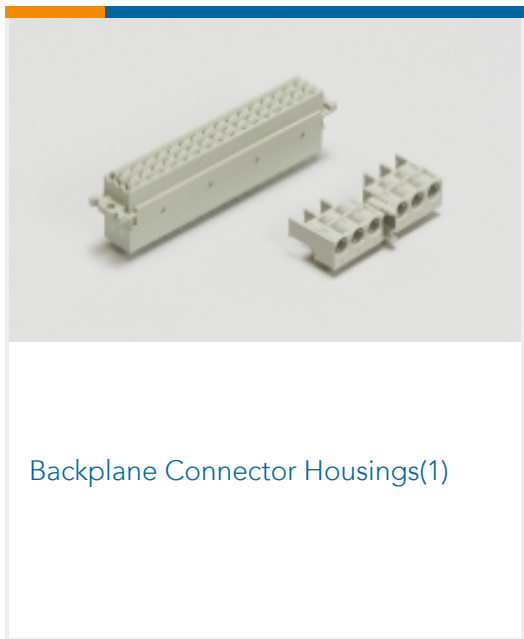
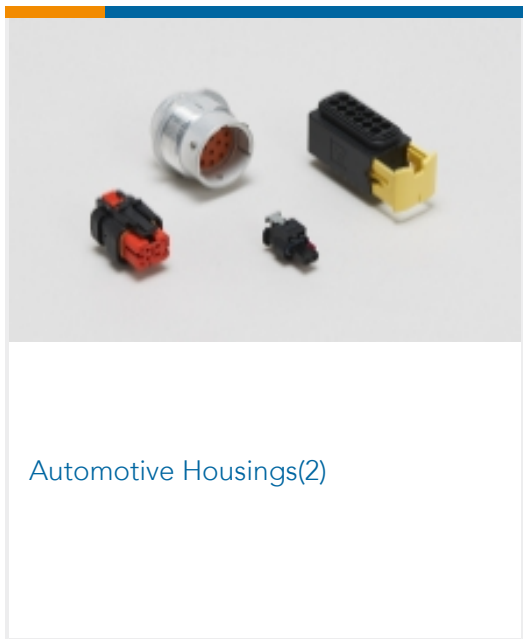
TE Part # 87977-4
12 MODIV HSG DR MRKD .100 POL

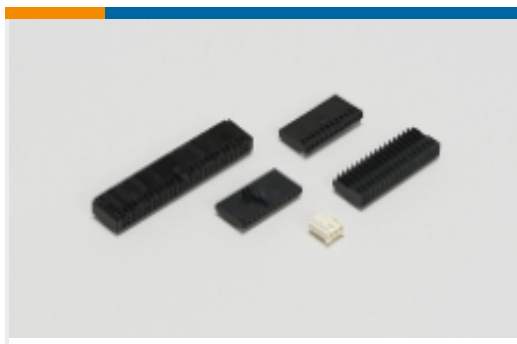


TE Part # 102387-7
30 MODIV HSG COMP DR .100 POL

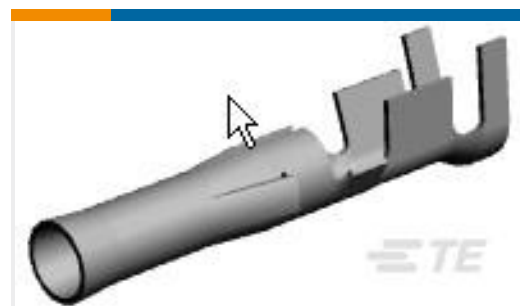


Also in the Series | AMPMODU IV/V



Wire-to-Board Connector Assemblies
& Housings(447)Wire-to-Board Connector Contacts
(322)

Customers Also Bought

TE Part #1658615-4
09 POS HDF PLUG, AP, LEAD FREETE Part #206485-1
CPC PLUG ASSEMBLY SIZE 11-9TE Part #207397-1
HSG,RECEPT 10 POSN,METRIMATETE Part #63623-1
RCPT AMVAR 250 FAST LIF 016BRTE Part #61148-1
BRUSH HOLDER AMPLIVAR 22-17
AWG PHBZTE Part #350415-1
.093 COMM P&S SOK 14-20 PTPBRTE Part #770834-1
MINI UMNL SOCKET SNTE Part #62149-1
BRUSH HOLDER AMPLIVAR 22-
17MAG WIRE PHBZ

Documents

Product Drawings

MOD V RECP PLTD 30 AU

English

CAD Files

3D PDF

3D

Customer View Model

[ENG_CVM_CVM_103455-1_AB_c-103455-1-ab.2d_dxf.zip](#)

English

Customer View Model

[ENG_CVM_CVM_103455-1_AB_c-103455-1-ab.3d_igs.zip](#)

English

Customer View Model

[ENG_CVM_CVM_103455-1_AB_c-103455-1-ab.3d_stp.zip](#)

English

By downloading the CAD file I accept and agree to the [Terms and Conditions](#) of use.



Datasheets & Catalog Pages

[AMPMODU_INTERCONNECTION_SYSTEM_SECTION5_CONT](#)

English

[1-1773720-9_AMPMODU_MOD_IV_V_ORG](#)

English

Product Specifications

[Application Specification](#)

English

Product Environmental Compliance

[TE Material Declaration](#)

English