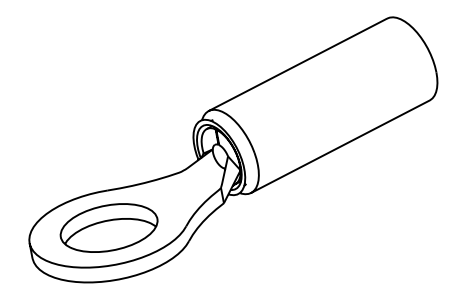
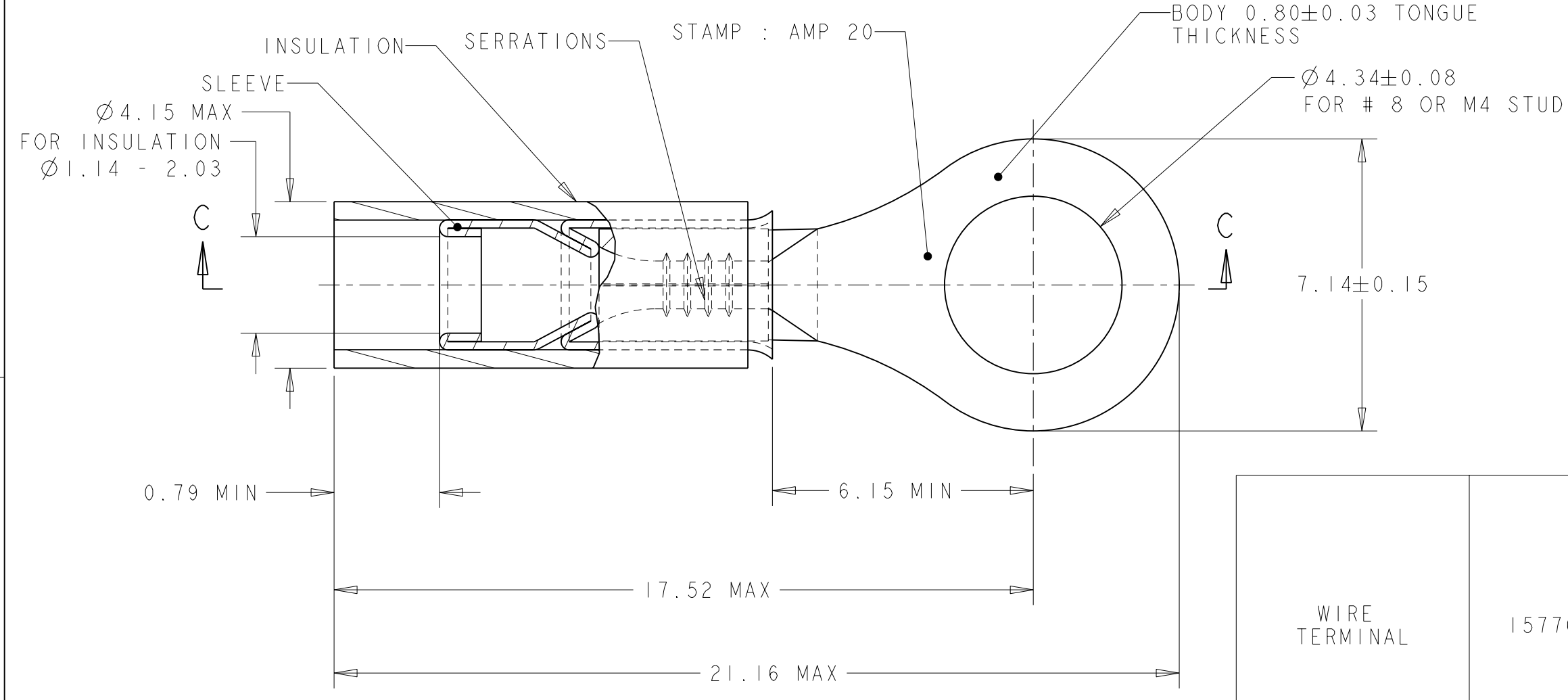
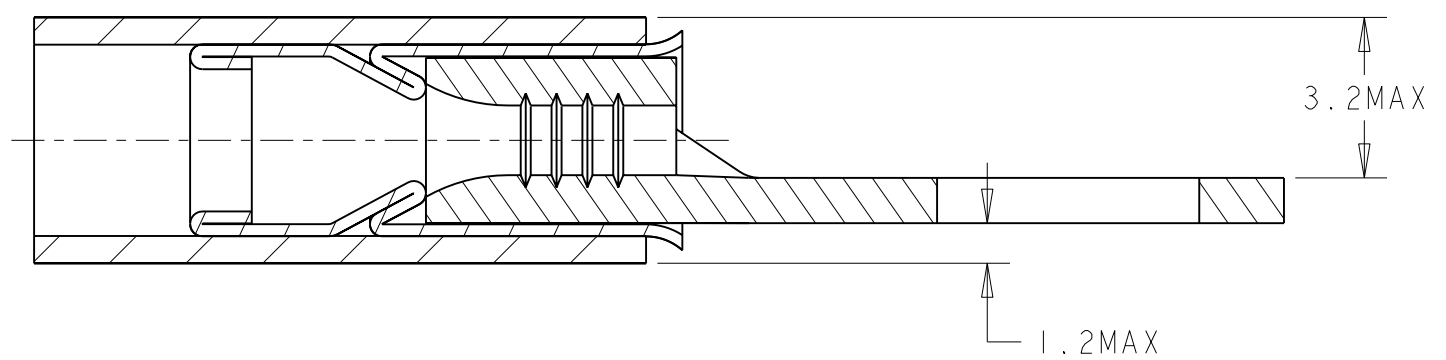


THIS DRAWING IS UNPUBLISHED. RELEASED FOR PUBLICATION 20
 © COPYRIGHT 20 BY TYCO ELECTRONICS CORPORATION. ALL RIGHTS RESERVED.

LOC	DIST	REVISIONS			
P	LTR	DESCRIPTION	DATE	DWN	APVD
F	00	B	ECR 07-025006	24OCT2007	JT GR

COUPE C-C



WIRE TERMINAL	1577623-1	BODY : COPPER ANNEALED FINISH : NICKEL PLATED
		SLEEVE : COPPER ANNEALED FINISH : NICKEL PLATED
		INSULATION : PEEK COLOR : GREY
DESCRIPTION	PART NUMBER	MATERIAL & FINISH

THIS DRAWING IS A CONTROLLED DOCUMENT FOR TYCO ELECTRONICS CORPORATION
 IT IS SUBJECT TO CHANGE AND THE CONTROLLING ENGINEERING ORGANIZATION
 SHOULD BE CONTACTED FOR THE LATEST REVISION.

DIMENSIONS: mm	TOLERANCES UNLESS OTHERWISE SPECIFIED: 0 PLC ±- 1 PLC ±0.3 2 PLC ±- 3 PLC ±- 4 PLC ±- ANGLES ±5 FINISH SEE TABLE
MATERIAL SEE TABLE	FINISH SEE TABLE

DWN JJ. DESPRETZ 02NOV2005		TYCO ELECTRONICS France SAS BP 30039, 95301 CERGY-PONTOISE Cedex		
CHK G. ROBERT 02NOV2005		NAME TERMINAL, PEEK PIDG STRATO, 20 AWG		
APVD Y. PETRONIN 02NOV2005		PRODUCT SPEC 108-15356		
APPLICATION SPEC 114-15102		WEIGHT 0,69 gr		
CUSTOMER DRAWING	SIZE A3	CAGE CODE 00779	DRAWING NO C=1577623	RESTRICTED TO -
SCALE 8:1			SHEET 1 OF 1	REV B