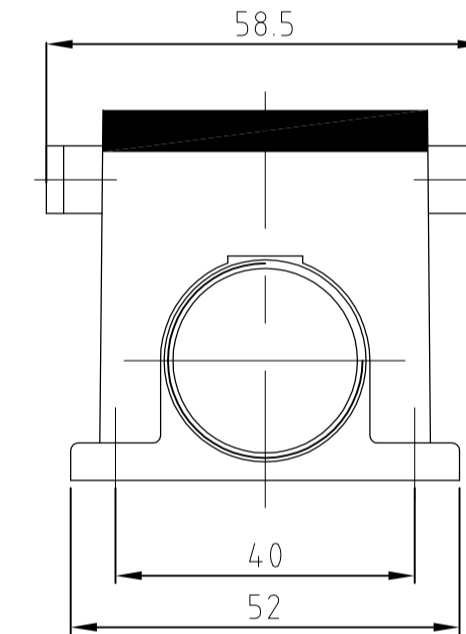
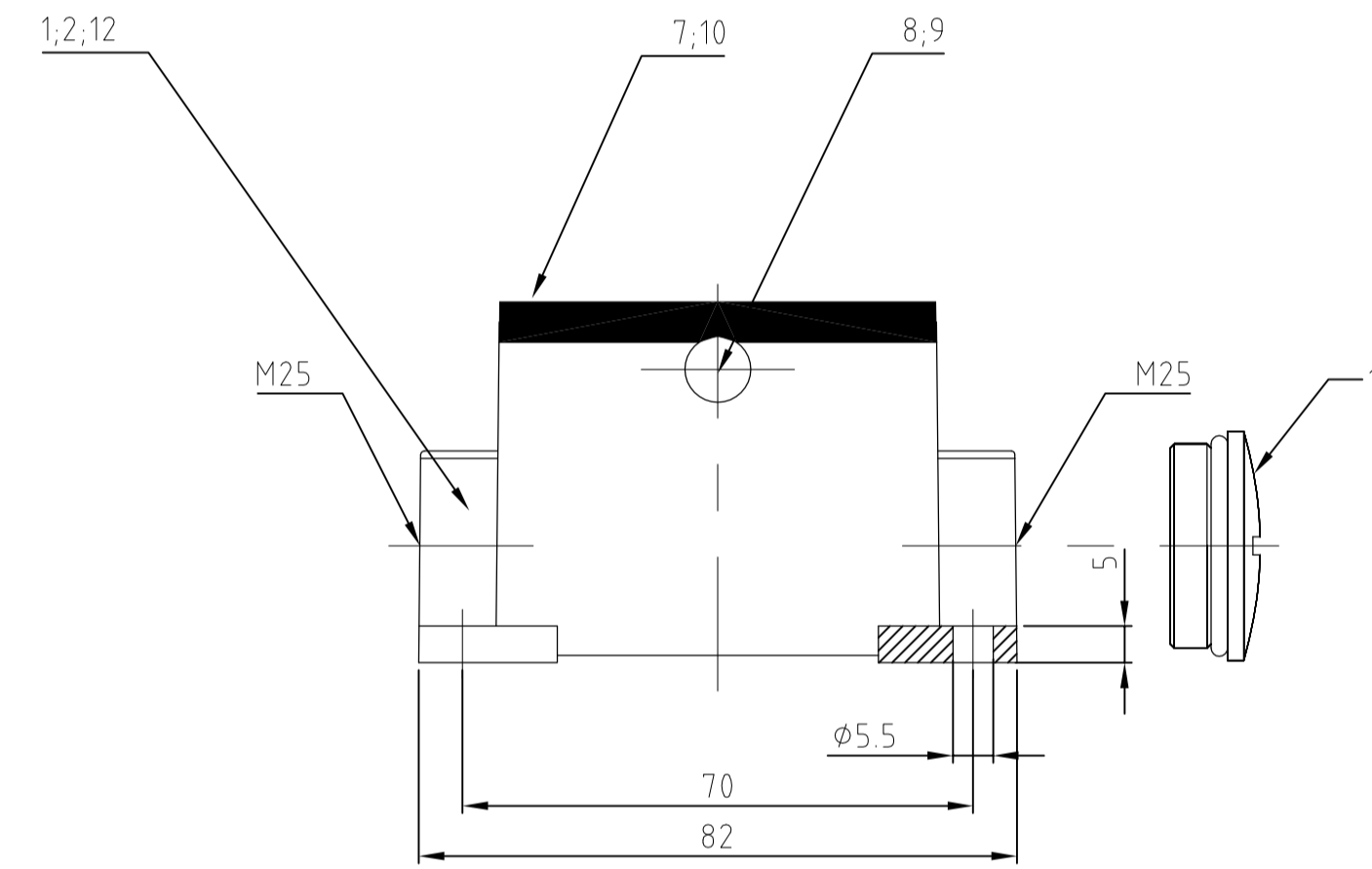
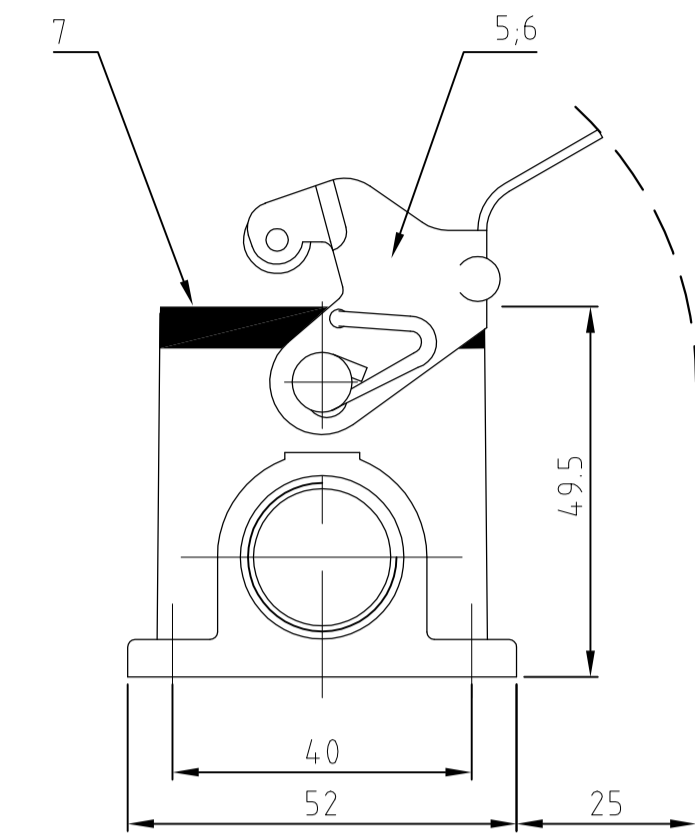
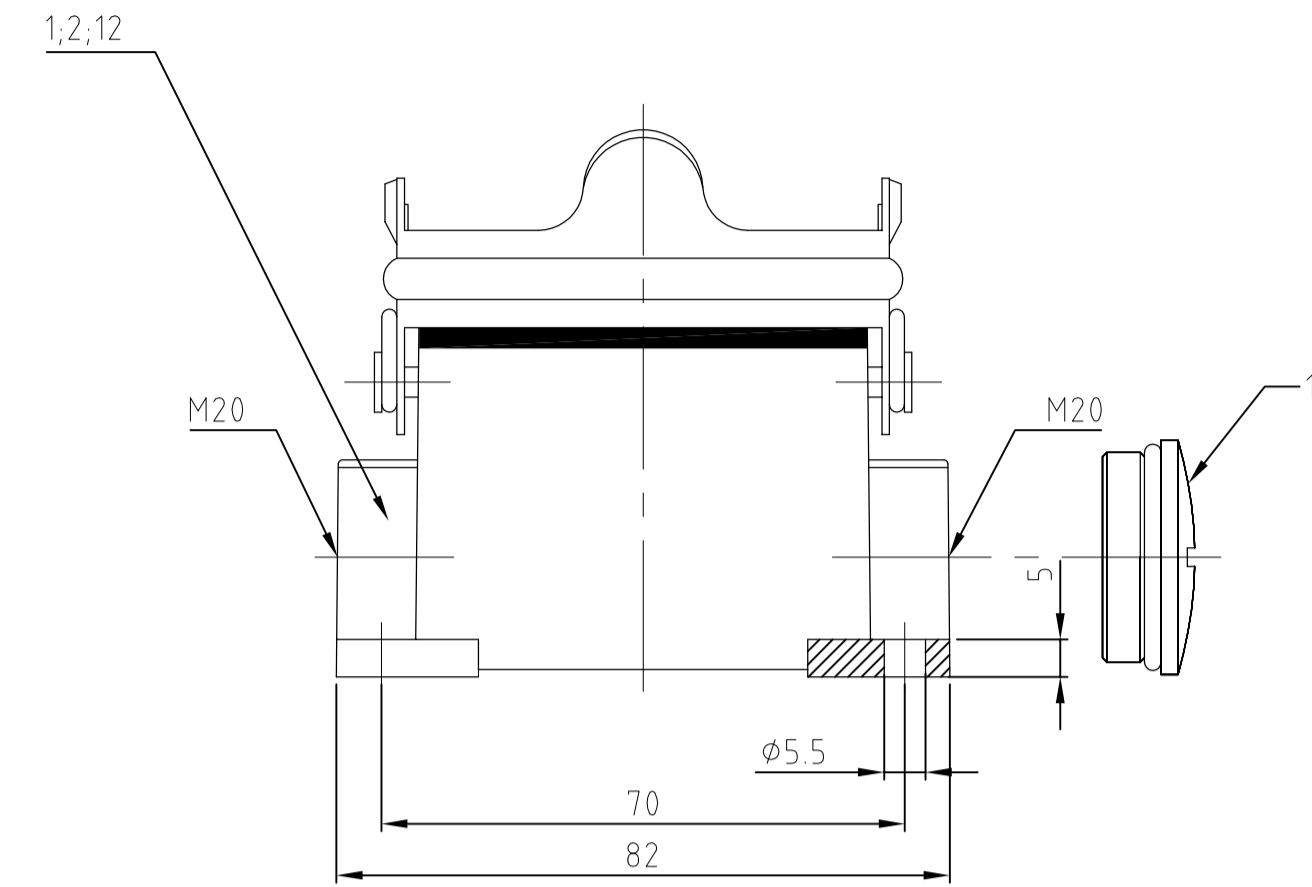
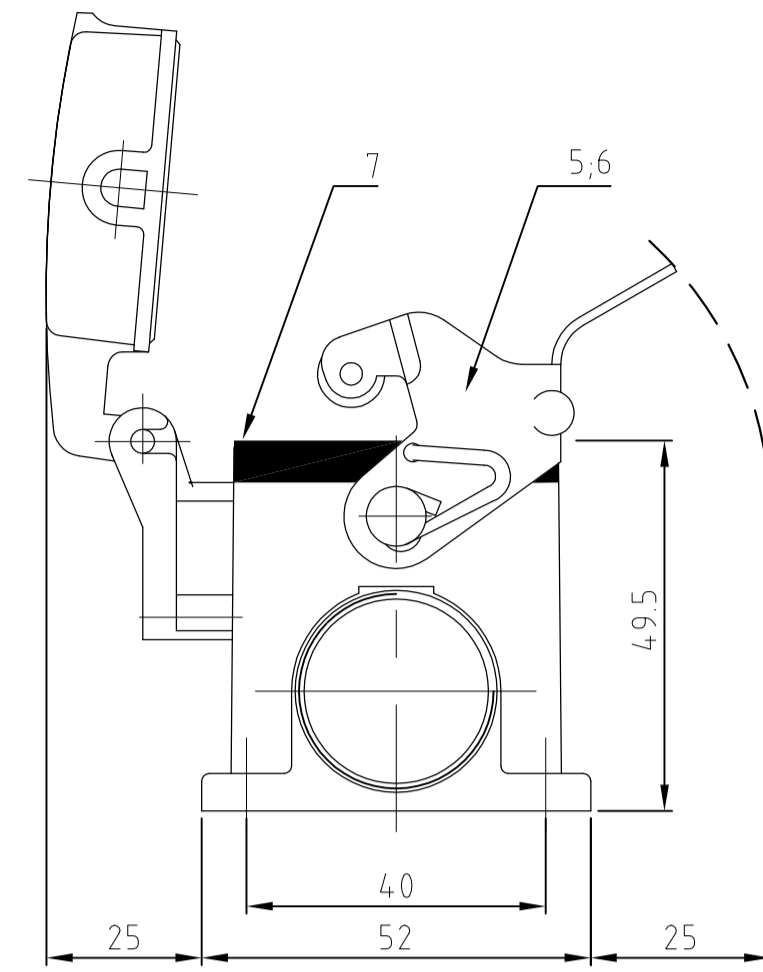
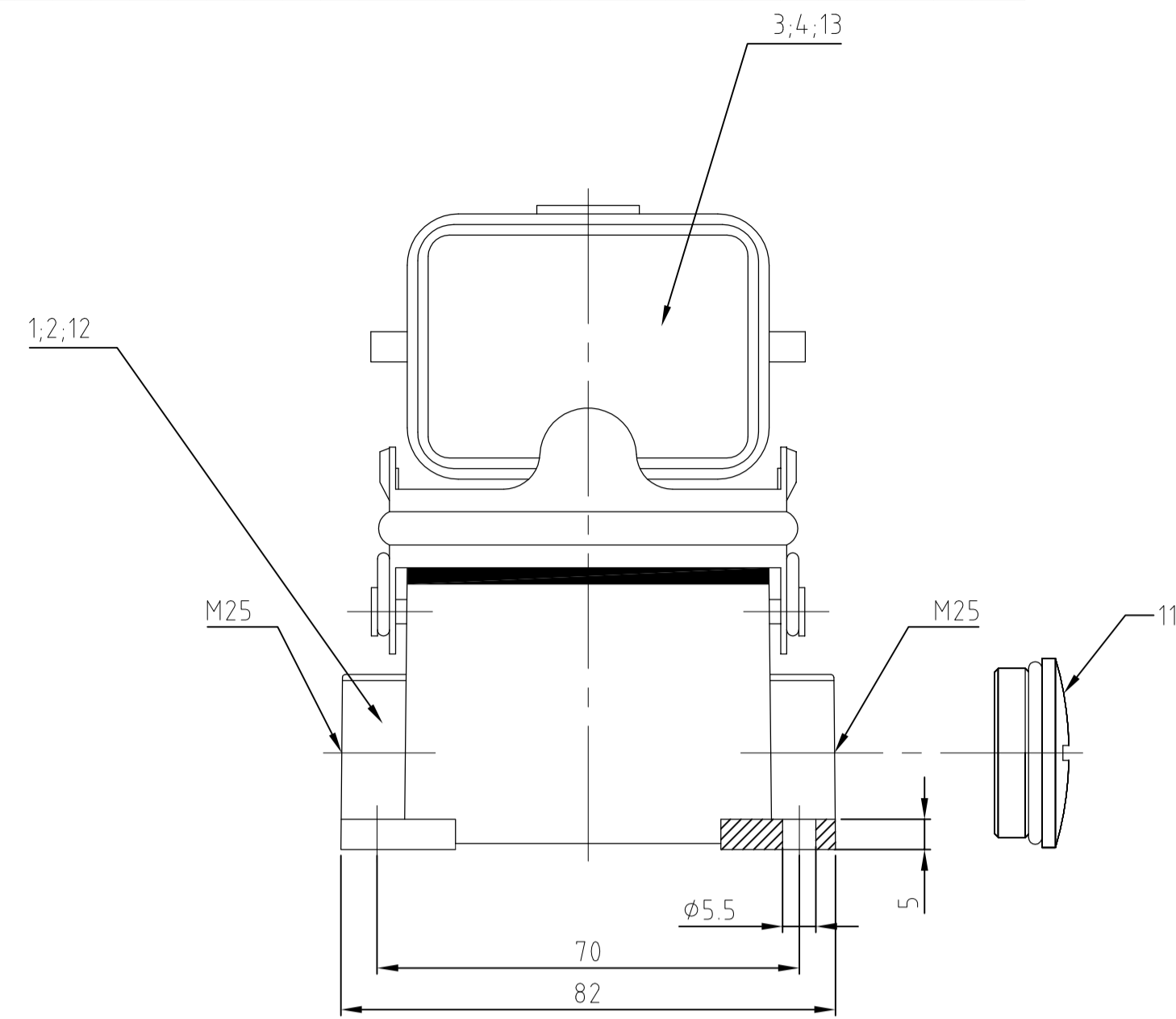


REVISIONS				
REV	DATE	DESCRIPTION	BY	APP'D
A5	28AUG2017	REVISED PER ECR-16-016780	NG	MKO



Notes:

- 1 Material: Housing: aluminium diecasting alloy
Seals: Neoprene
- 2 Surface: Varnish- aluminium oxid+
Varnish black
- grey
- 3 Varnish on the inside not necessarily
- 4 Special packaging

Bemerkungen:

- 1 Material: Gehäuse: Alu-Druckguß-Legierung
Dichtung: Neoprene
- 2 Oberfläche: Lackierung - Aluminiumoxid+
Lackierung schwarz
- grau
- 3 Lackierung im Gehäuseinnere ist nicht notwendig
- 4 Sonderverpackung

QTY	ITEM NO	DESCRIPTION / BENENNUNG	MATERIAL	SURFACE / OBERFLÄCHE	COLOR / FARBE	ITEM NO POS	REMARKS / BEMERKUNGEN
1		Deckel HB/cover	aluminium/ALU		grau/grey	13	ohne Logo
1		Socketgehäuse HB surface mounted housing side entry	aluminium/ALU		grau/grey	12	ohne Logo
1		Blanking Piece with Seal	Stahl/steel		blau/blue	11	M25
1		Profildichtung/profile seal	Viton		grau/grey	10	
		ZB-Bügelbolzen/central clip bolt	V2A/stainl. steel	blank/even		9	
		ZB-Bügelbolzen/central clip bolt	Stahl/steel	verzinkt/zink plated	blau/blue	8	
1		Profildichtung/profile seal	Neoprene		black/schwarz	7	
		LB-Bügel/side clip	V2A/stainl. steel	blank/even		6	
1		LB-Bügel/side clip	Stahl/steel	verzinkt/zink plated	blau/blue	5	
		Deckel HB-K/cover	aluminium/ALU	Aluminiumoxid	black/schwarz	4	
		Deckel HB/cover	aluminium/ALU		grau/grey	3	
		Socketgehäuse HB-K/ surface mounted housing side entry	aluminium/ALU	Aluminiumoxid	black/schwarz	2	
		Socketgehäuse HB surface mounted housing side entry	aluminium/ALU		grau/grey	1	

THIS DRAWING IS A CONTROLLED DOCUMENT.

DATE: 07.11.2002
 DWG: Schneider
 DATE: 07.11.2002
 APP'D: Schneider

TO TOLERANCES UNLESS OTHERWISE SPECIFIED:
 0 P.L.C. ±0.05
 1 P.L.C. ±0.02
 2 P.L.C. ±0.01
 3 P.L.C. ±0.005
 4 P.L.C. ±0.002

FINISH:

SCALE: 1:1

SHEET 1 OF 1

REV A5

CUSTOMER DRAWING

STE TE Connectivity

Surface mounted housing side entry
 Socketgehäuse HB.6.SG.2.M25.Z

RESTRICTED TO