

2-1447232-6 ✓ ACTIVE

AMP | SUPERSEAL 1.0mm

TE Internal #: 2-1447232-6

Housing for Female Terminals, Wire-to-Board, 44 Position, .138 in [3.5 mm] Centerline, Sealable, Black, Printed Circuit Board, SUPERSEAL 1.0mm

[View on TE.com >](#)



Connectors > Automotive Connectors > Automotive Housings



Connector & Housing Type: **Housing for Female Terminals**

Mating Pin Diameter: **1 mm [ .039 in ]**

Connector System: **Wire-to-Board**

Number of Positions: **44**

Centerline (Pitch): **3.5 mm [ .138 in ]**

## Features

### Product Type Features

Connector Shape	Rectangular
Connector & Housing Type	Housing for Female Terminals
Connector System	Wire-to-Board
Sealable	Yes
Primary Locking Feature	Contact Retainer
Connector & Contact Terminates To	Printed Circuit Board

### Configuration Features

Number of Positions	44
Number of Rows	2

### Electrical Characteristics

Nominal Voltage Architecture	250 V
------------------------------	-------

### Body Features

Primary Product Color	Black
-----------------------	-------



### Contact Features

Contact Type	Socket
Mating Pin Diameter	1 mm [.039 in]
Contact Current Rating (Max)	7 A

### Mechanical Attachment

Mating Alignment Type	Polarization Slot
Mating Alignment	With
Connector Mounting Type	Cable Mount (Free-Hanging)

### Housing Features

Centerline (Pitch)	3.5 mm [.138 in]
--------------------	------------------

### Dimensions

Row-to-Row Spacing	4 mm
--------------------	------

### Usage Conditions

Operating Temperature (Max)	125 °C [257 °F]
Operating Temperature Range	-40 – 125 °C [-40 – 257 °F]

### Other

Connector Position Assurance Capable	No
--------------------------------------	----

## Product Compliance

[For compliance documentation, visit the product page on TE.com>](#)

EU RoHS Directive 2011/65/EU	Compliant
EU ELV Directive 2000/53/EC	Compliant
China RoHS 2 Directive MIIT Order No 32, 2016	No Restricted Materials Above Threshold
EU REACH Regulation (EC) No. 1907/2006	Current ECHA Candidate List: JUNE 2023 (235) Candidate List Declared Against: JAN 2023 (233) Does not contain REACH SVHC
Halogen Content	Not Low Halogen - contains Br or Cl > 900 ppm.
Solder Process Capability	Not applicable for solder process capability

#### Product Compliance Disclaimer

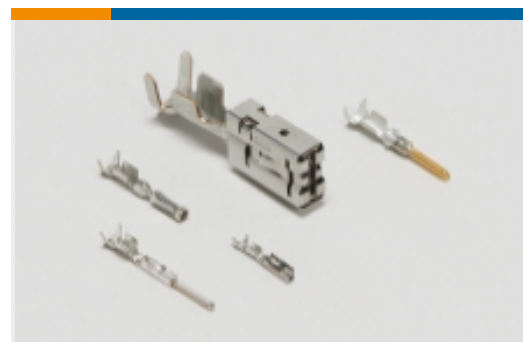
This information is provided based on reasonable inquiry of our suppliers and represents our current actual knowledge based on the information they provided. This information is subject to change. The part numbers that TE has identified as EU RoHS compliant have a maximum concentration of 0.1% by weight in homogenous materials for lead, hexavalent

chromium, mercury, PBB, PBDE, DBP, BBP, DEHP, DIBP, and 0.01% for cadmium, or qualify for an exemption to these limits as defined in the Annexes of Directive 2011/65/EU (RoHS2). Finished electrical and electronic equipment products will be CE marked as required by Directive 2011/65/EU. Components may not be CE marked. Additionally, the part numbers that TE has identified as EU ELV compliant have a maximum concentration of 0.1% by weight in homogenous materials for lead, hexavalent chromium, and mercury, and 0.01% for cadmium, or qualify for an exemption to these limits as defined in the Annexes of Directive 2000/53/EC (ELV). Regarding the REACH Regulation, the information TE provides on SVHC in articles for this part number is based on the latest European Chemicals Agency (ECHA) 'Guidance on requirements for substances in articles' posted at this URL: <https://echa.europa.eu/guidance-documents/guidance-on-reach>

## Also in the Series | SUPERSEAL 1.0mm



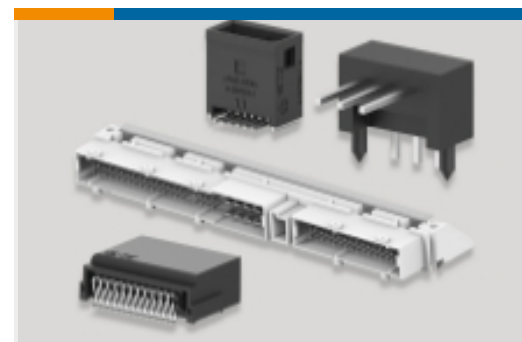
Automotive Housings(12)



Automotive Terminals(6)



Connector Seals & Cavity Plugs(1)



PCB Headers & Receptacles(30)

## Customers Also Bought



TE Part #6-160448-2  
FF 250 REC 1.0-2.5MM2 TPPB



TE Part #2-322455-1  
TERMINAL,SOLIS R 12-10 10



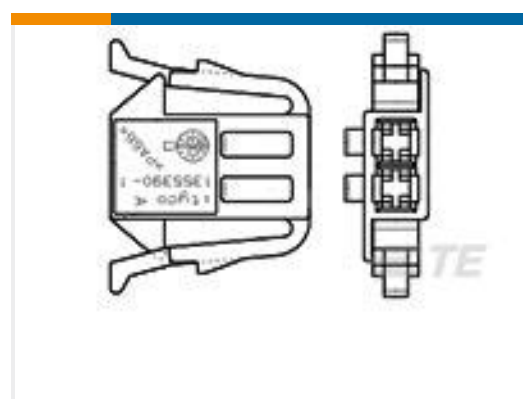
TE Part #T1310100125-000  
H10B-TS-RO-M25



TE Part #1028-027-0405  
BKSHL, 4P, BLK, REC, ST, NW 8.5



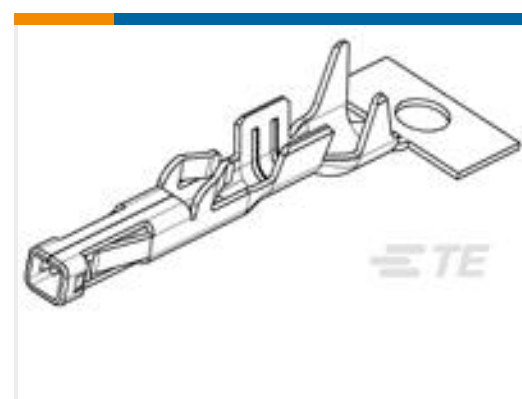
TE Part #2822362-4  
070 EJ MK-2 SENSOR PLUG 2P DARK GREEN



TE Part #1355390-1  
JUN-POW-TIM GEH 2P



TE Part #5241734002  
NETM1000-5-0-SP



TE Part #2106123-1  
CONTACT,Recept, SLC, Tin Plated, On Stip



TE Part #8862474002  
NETM1000-6-0-SP



TE Part #2381114-1  
SDE F AMP MCP 6.3/4.8K 4.0-6.0mm2 ASSY



## Documents

### Product Drawings

[3900281-441=SP/SEAL 44P PLUG](#)

Japanese

[3900281-441=SP/SEAL 44P PLUG](#)

English

---

### CAD Files

Customer View Model

[ENG\\_CVM\\_CVM\\_2-1447232-6\\_A.2d\\_dxf.zip](#)

English

[3D PDF](#)

3D

Customer View Model

[ENG\\_CVM\\_CVM\\_2-1447232-6\\_A.3d\\_igs.zip](#)

English

Customer View Model

[ENG\\_CVM\\_CVM\\_2-1447232-6\\_A.3d\\_stp.zip](#)

English

By downloading the CAD file I accept and agree to the [Terms and Conditions](#) of use.

---

### Product Specifications

[Receptacle Contact, Super Seal Connector](#)

Japanese

[Application Specification](#)

Japanese

[Super Seal Connector](#)

Japanese

[Application Specification](#)

Japanese