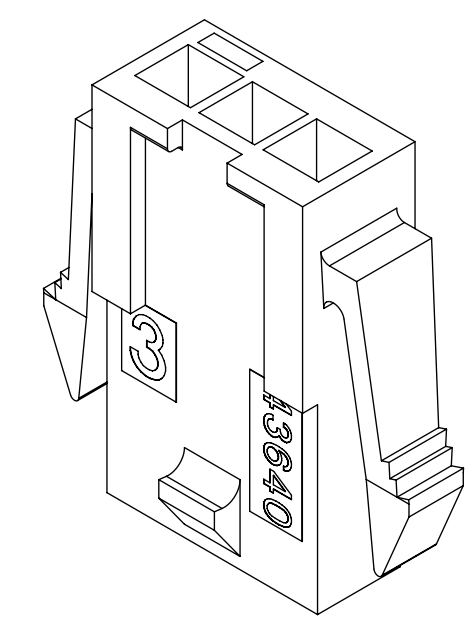


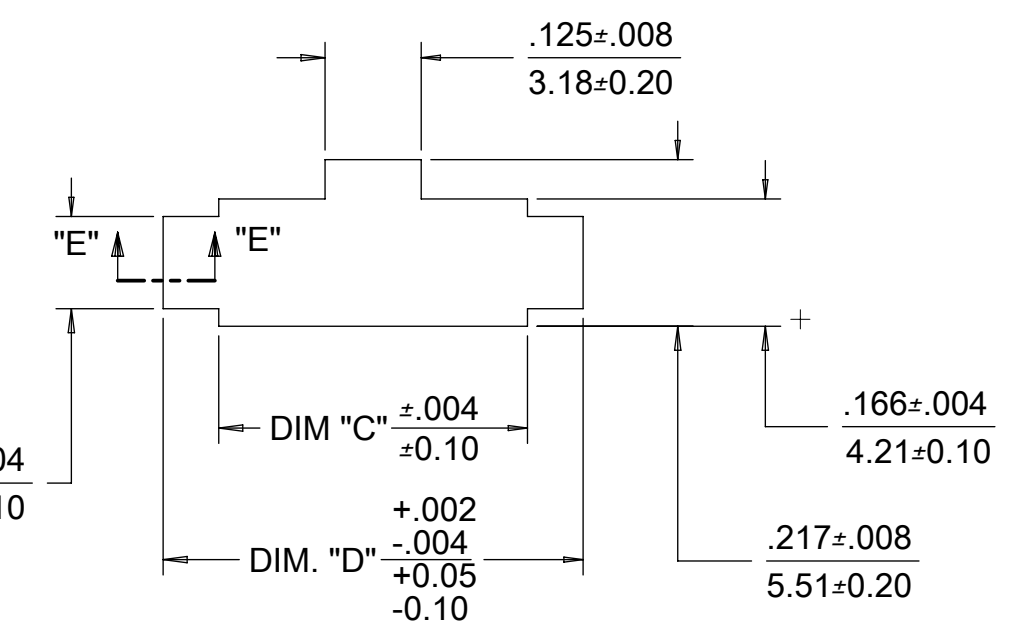
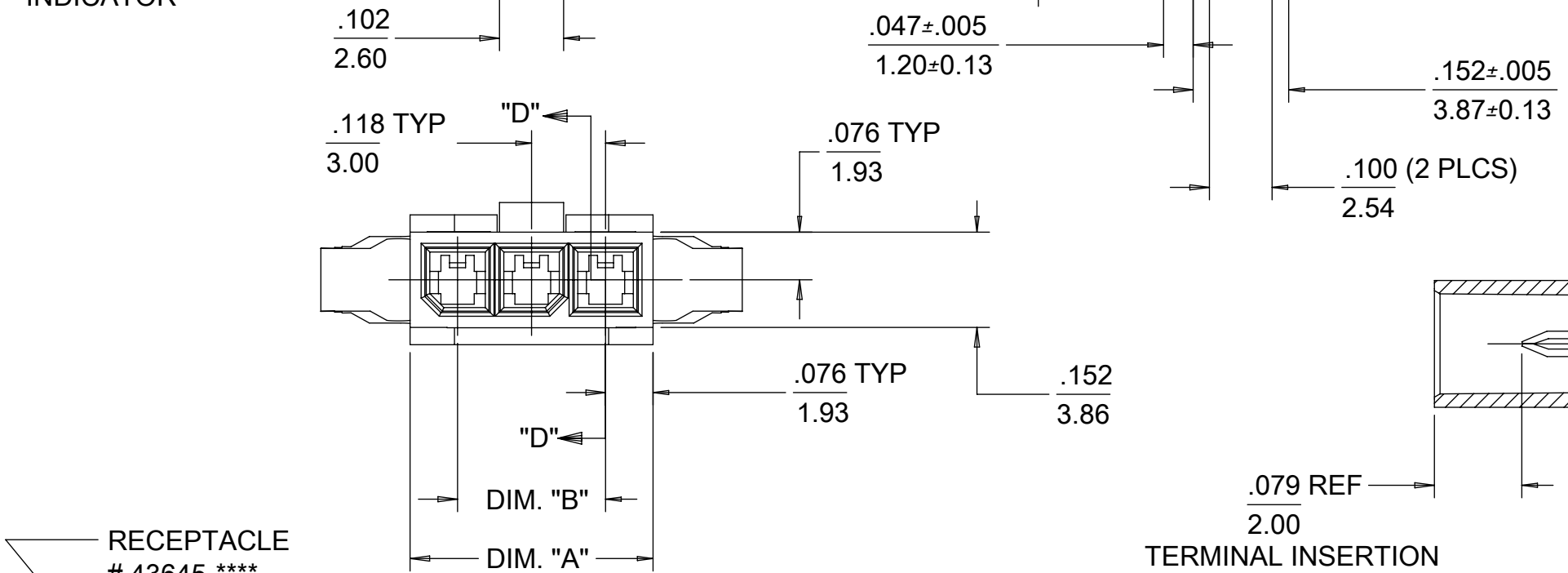
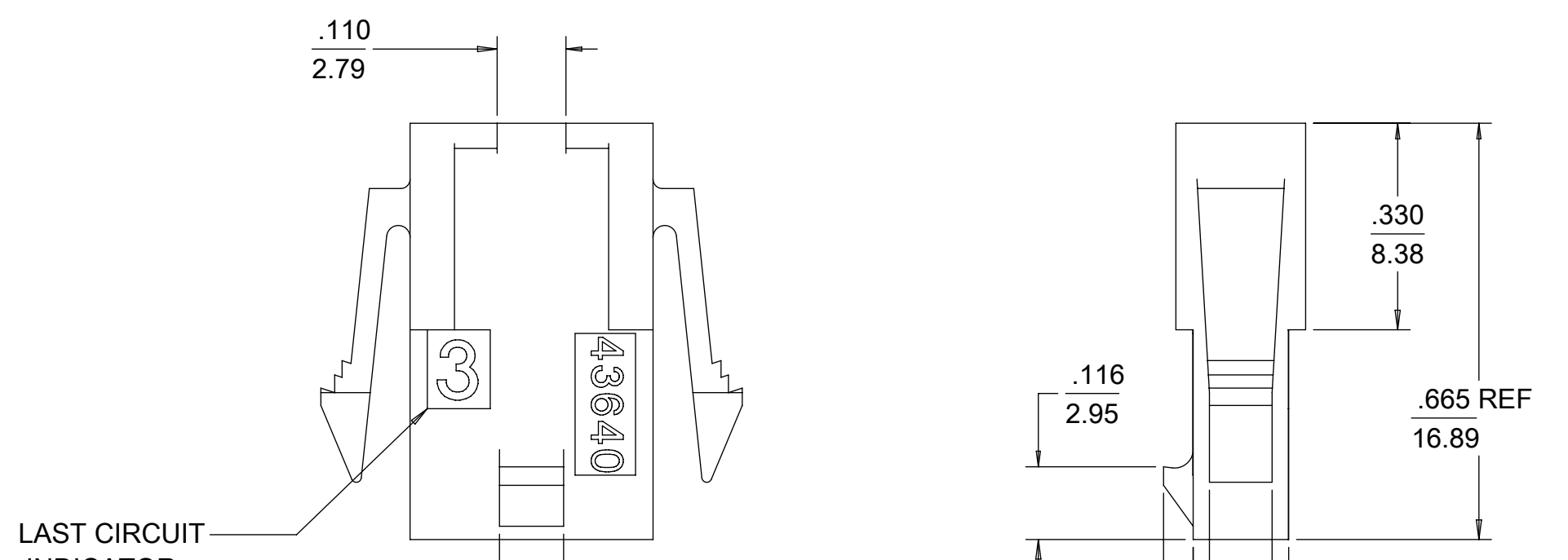
X- CONTACT FACTORY	ASSEMBLY ITEM NUMBER	PART CHARACTERISTICS NUMBER OF POSITION
	43640-0208	02
	43640-0308	03
	43640-0408	04
X		05
	43640-0608	06
	43640-0708	07
X		08
X		09
X		10
X		11
X		12

CKT. NO.	DIM. "A"	DIM. "B"	DIM. "C"	DIM. "D"
2	.270/6.85	.118/3.00	.284/7.21	.429/10.90
3	.388/9.85	.236/6.00	.402/10.21	.547/13.89
4	.506/12.85	.354/9.00	.520/13.21	.665/16.89
5	.624/15.85	.472/12.00	.638/16.21	.783/19.89
6	.742/18.85	.591/15.00	.756/19.21	.901/22.89
7	.860/21.85	.709/18.00	.874/22.20	1.019/25.88
8	.978/24.85	.827/21.00	.992/25.20	1.137/28.88
9	1.096/27.85	.945/24.00	1.110/28.20	1.255/31.88
10	1.215/30.85	1.063/27.00	1.229/31.22	1.373/34.87
11	1.333/33.85	1.181/30.00	1.347/34.22	1.491/37.87
12	1.451/36.85	1.299/33.00	1.465/37.22	1.609/40.87

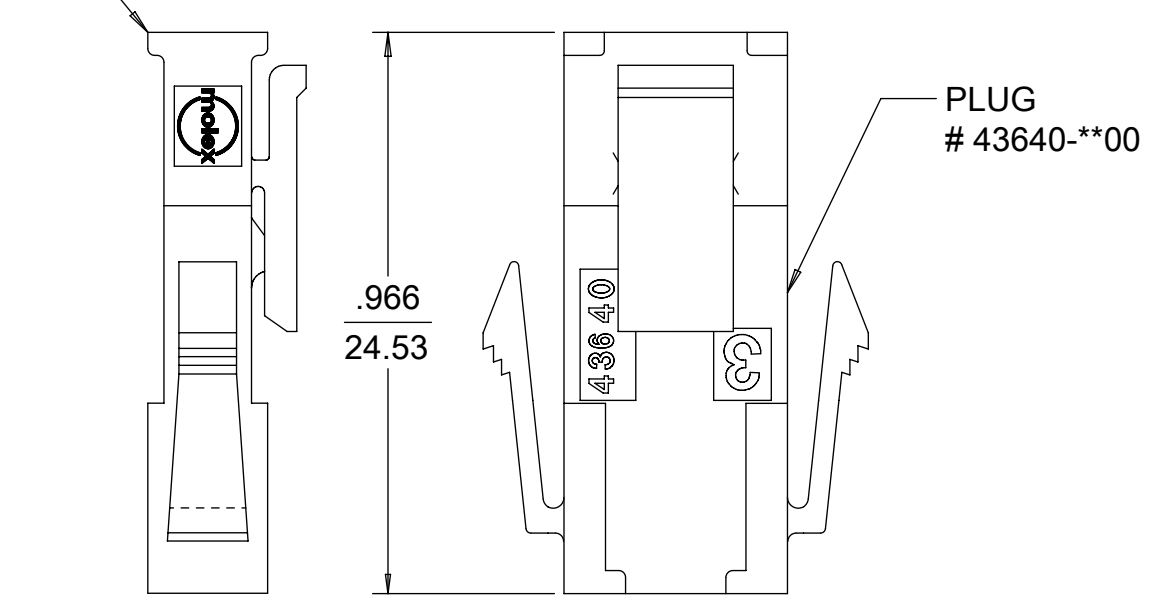
- NOTES:
- HOUSING MATERIAL: UNFILLED NYLON, RATED UL94V-0, COLOR IS BLACK. (LOW-HALOGEN)
 - FINISH: NONE
 - PRODUCT SPECIFICATION: PS-43650
 - PACKAGING SPECIFICATION: PK-43640-003
 - THIS HOUSING MATES WITH MICRO-FIT RECEPTACLE #43645-****.
 - THIS HOUSING IS DESIGNED IN METRIC
 - THIS HOUSING TO BE USED WITH MOLEX MALE TERMINAL #43031-****.
 - PLUG DESIGNED FOR .062/1.57 TO .090/2.30 THICK STAMPED PANEL OR P.C.BOARD.
 - SEE SECTION "D"-"D" FOR TERMINAL ORIENTATION IN HOUSING.
 - SEE SHEET 2 FOR PLUG WITHOUT PANEL MOUNTS.
 - PANEL MOUNT FEATURES MUST LOCK ON SIDE OPPOSITE PUNCH SIDE FOR OPTIMUM RETENTION.
 - THIS PART CONFORMS TO CLASS B REQUIREMENTS OF COSMETIC SPECIFICATION PS-45499-002.



PLUG WITH PANEL MOUNTS

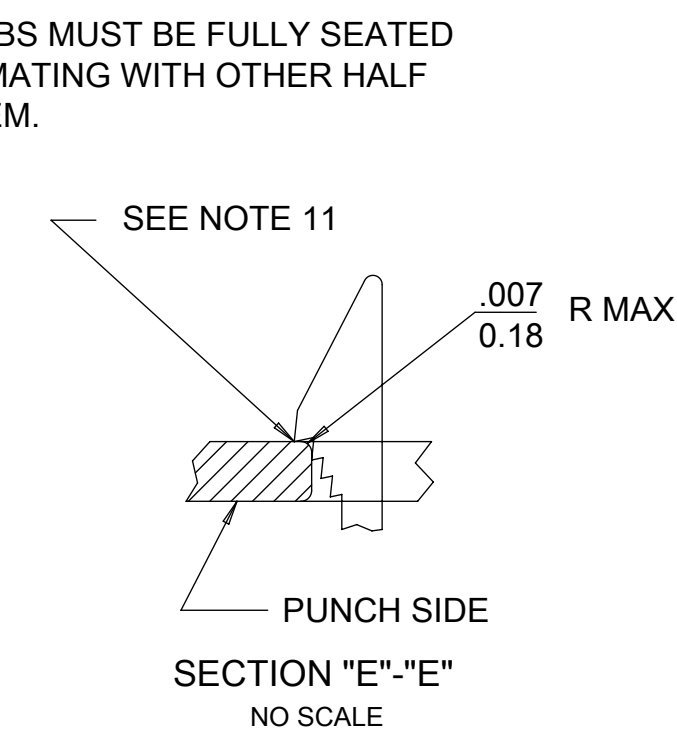
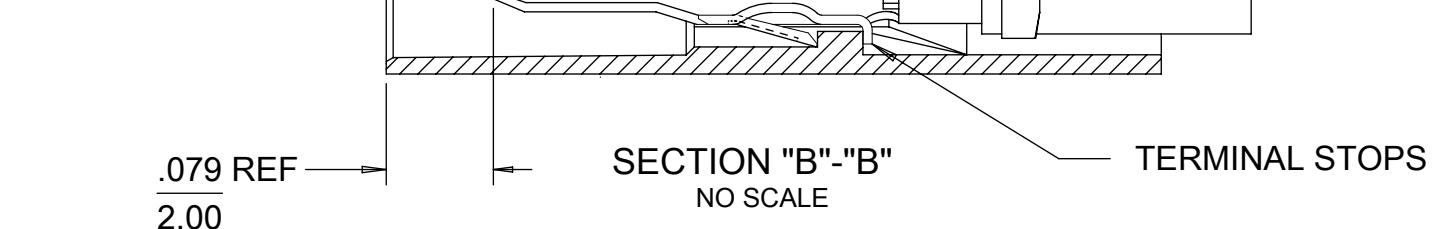
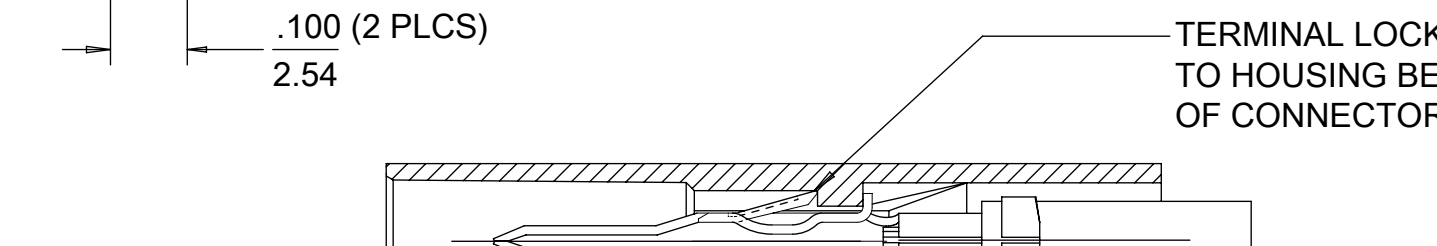


RECOMMENDED PANEL CUT-OUT (SEE NOTES 8 & 11)



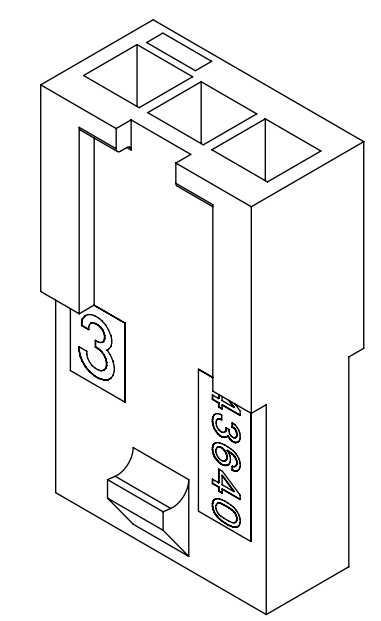
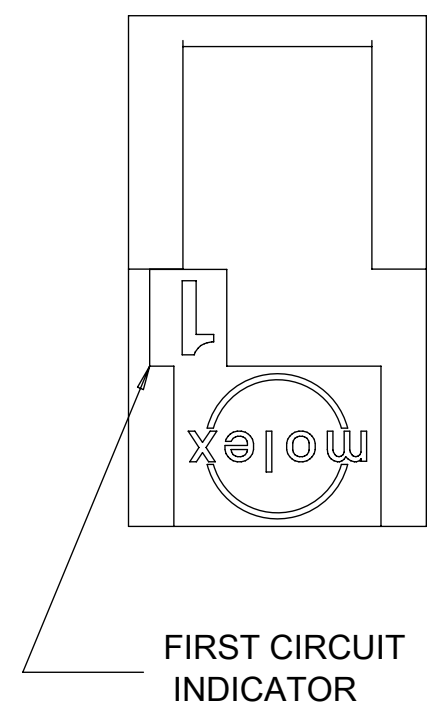
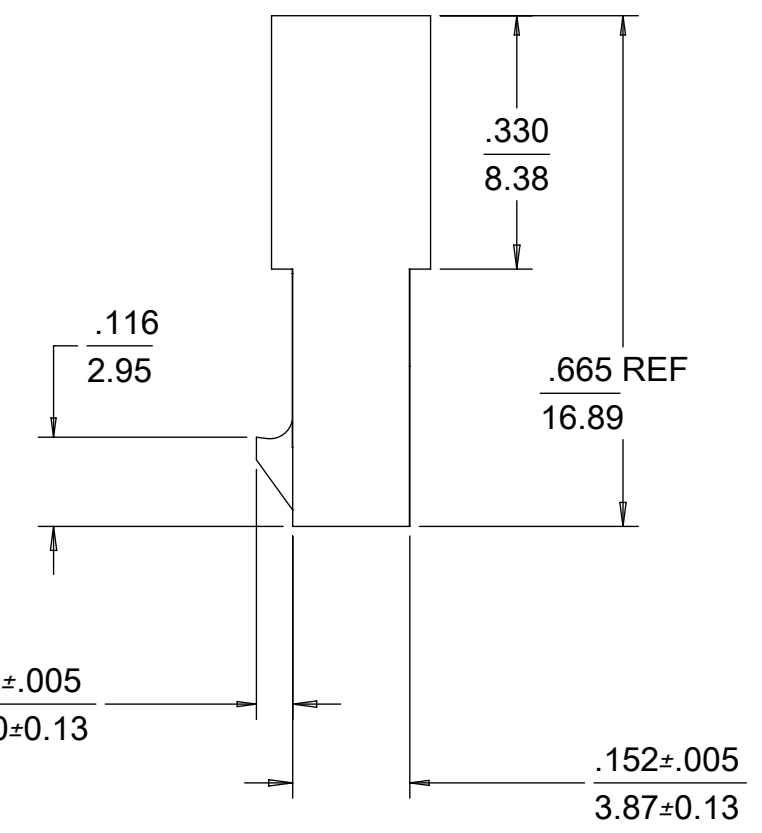
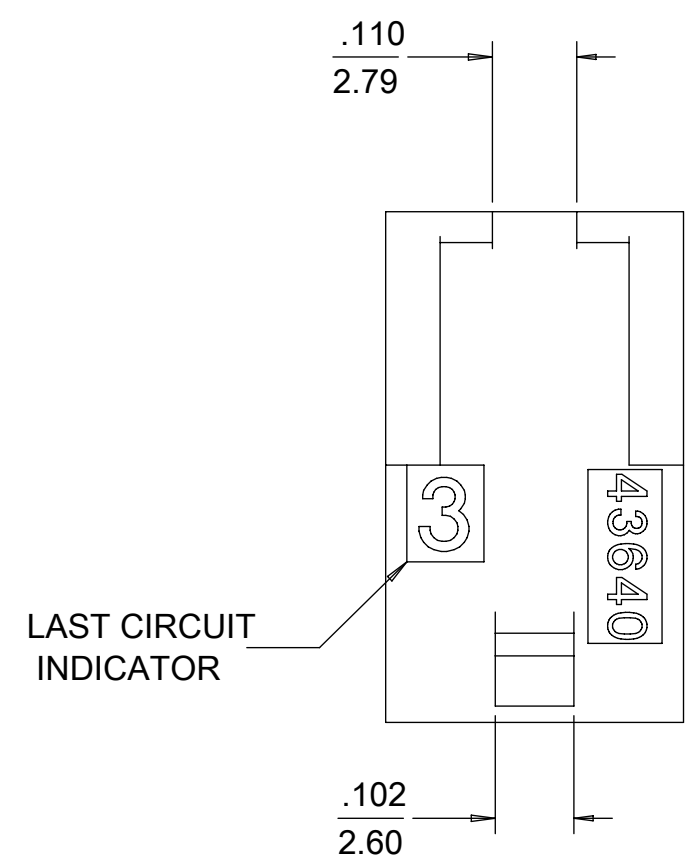
MATED MICRO-FIT CONNECTOR

MODEL: EM-43640-300

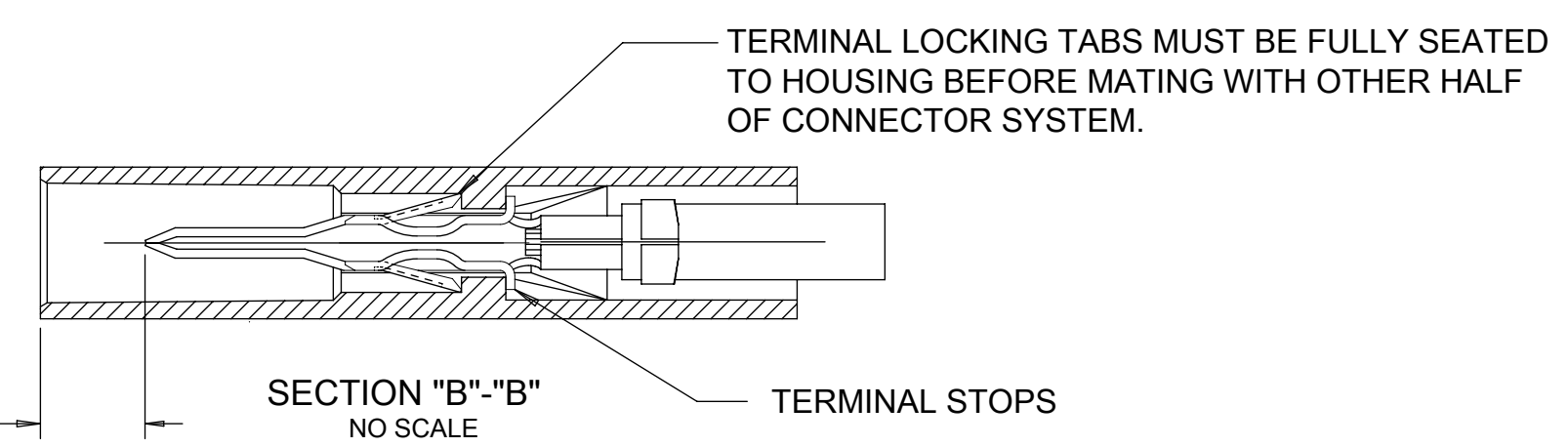
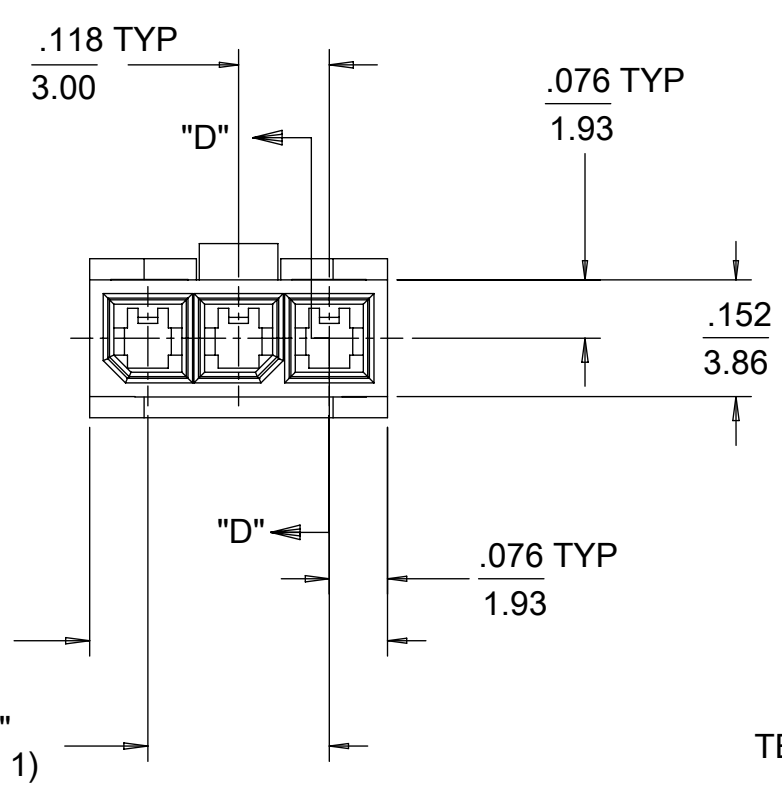


QUALITY SYMBOLS		THIS DRAWING CONTAINS INFORMATION THAT IS PROPRIETARY TO MOLEX ELECTRONIC TECHNOLOGIES, LLC AND SHOULD NOT BE USED WITHOUT WRITTEN PERMISSION			
▽ = 0	▽ = 0	GENERAL TOLERANCES (UNLESS SPECIFIED)		DIMENSION UNITS	SCALE
▽ = 0	▽ = 0			IN/MM	4:1
▽ = 0	▽ = 0			DRWN BY	DATE
▽ = 0	▽ = 0			MKIPPER	2008/01/21
▽ = 0	▽ = 0			CHK'D BY	DATE
▽ = 0	▽ = 0			SSOUSEK	2008/01/30
▽ = 0	▽ = 0			APPR BY	DATE
▽ = 0	▽ = 0			FSMITH	2015/05/08
▽ = 0	▽ = 0			DRAWING SIZE	THIRD ANGLE PROJECTION
▽ = 0	▽ = 0			C	
▽ = 0	▽ = 0			DRAFT WHERE APPLICABLE MUST REMAIN WITHIN DIMENSIONS	
▽ = 0	▽ = 0			C	
UPDATE NOTE 1		EC NO: 111284		SERIES	
2016/10/05		DRWN: JQUILES		43640	
2016/12/22		CHKD: SSOUSEK		MATERIAL NUMBER	
2017/01/06		REV APPR: FSMITH		SEE CHART	
				CUSTOMER	
				GENERAL MARKET	
				DOCUMENT NUMBER	
				SD-43640-001	
				DOC TYPE	
				PSD	
				DOC PART	
				000	
				SHEET NUMBER	
				1 OF 2	

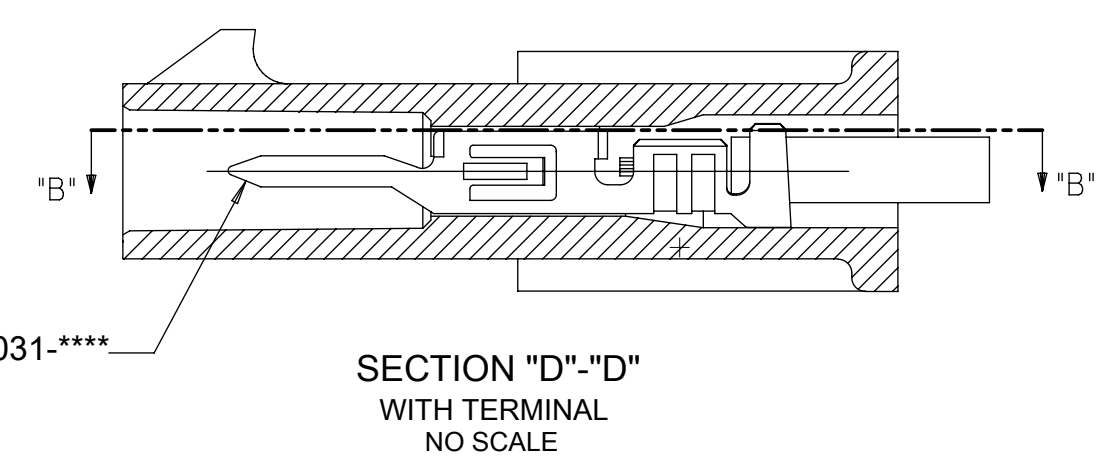
X- CONTACT FACTORY	ASSEMBLY ITEM NUMBER	PART CHARACTERISTICS
		NUMBER OF POSITION
	43640-0209	02
	43640-0309	03
	43640-0409	04
X		05
	43640-0609	06
	43640-0709	07
X		08
X		09
X		10
X		11
X		12



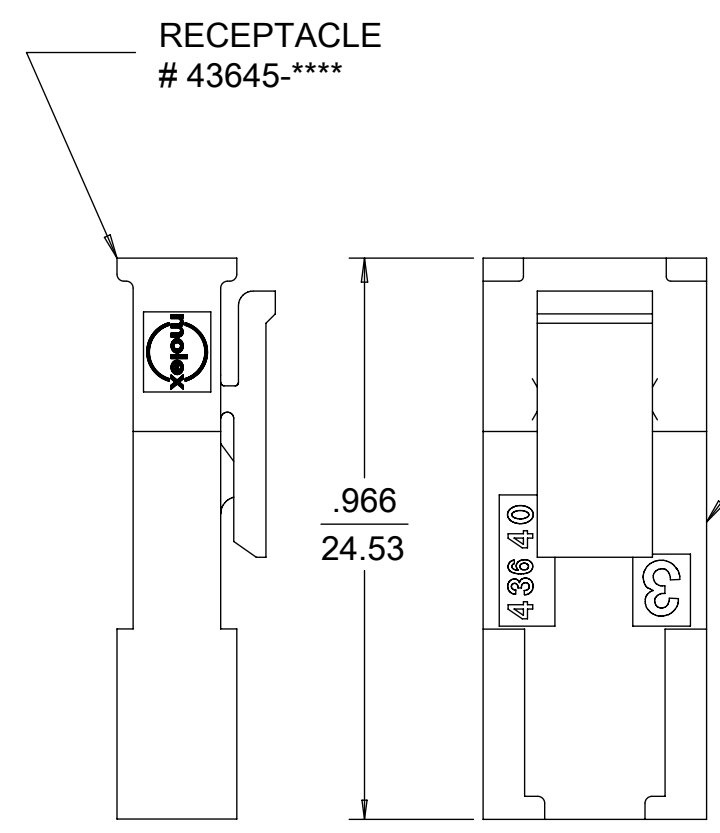
PLUG WITHOUT PANEL MOUNTS



TERMINAL INSERTION DEPTH



SECTION "D"- "D" WITH TERMINAL NO SCALE



MATED MICRO-FIT CONNECTOR

PLUG # 43640-**01

QUALITY SYMBOLS		THIS DRAWING CONTAINS INFORMATION THAT IS PROPRIETARY TO MOLEX ELECTRONIC TECHNOLOGIES, LLC AND SHOULD NOT BE USED WITHOUT WRITTEN PERMISSION				DIMENSION UNITS		SCALE			
▽ = 0	▽ = 0	GENERAL TOLERANCES (UNLESS SPECIFIED)		IN/MM		4:1		DRWN BY			
▽ = 0	▽ = 0	4 PLACES ± ±		MM		INCH		MKIPPER		2008/01/21	
▽ = 0	▽ = 0	3 PLACES ± ± 0.01		2016/10/05		2016/12/22		CHK'D BY		DATE	
▽ = 0	▽ = 0	2 PLACES ± 0.25 ± 0.014		DRWN: JQUILES		SSOUSEK		SSOUSEK		2008/01/30	
▽ = 0	▽ = 0	1 PLACES ± 0.35 ±		2017/01/06		APPR: FSMITH		APPR BY		DATE	
▽ = 0	▽ = 0	0 PLACES ± ±		EC NO: 111284		ANGULAR TOL = 5.0		FSMITH		2015/05/08	
▽ = 0	▽ = 0	DRAFT WHERE APPLICABLE MUST REMAIN WITHIN DIMENSIONS		REV: A5		DRAWING SIZE		C		THIRD ANGLE PROJECTION	
▽ = 0	▽ = 0			A5		C		SERIES		MATERIAL NUMBER	
								43640		SEE CHART	
								DOCUMENT NUMBER		SD-43640-001	
								DOC TYPE		PSD	
								DOC PART		000	
								SHEET NUMBER		2 OF 2	

MODEL: EM-43640-301

RELEASE STATUS	RELEASE DATE
----------------	--------------