

DATA SHEET



SCA3100-D07 3-AXIS HIGH PERFORMANCE ACCELEROMETER WITH DIGITAL SPI INTERFACE

Features

- 3.3V supply voltage
- ± 6 g measurement range
- 3-axis measurement XYZ directions
- ± 70 mg offset accuracy over temp range
- Internal temperature sensor
- SPI digital interface
- Enhanced self-diagnostics features
- Size 7.6 x 3.3 x 8.6 mm (w x h x l)
- Qualified according to AEC-Q100 standard
- Package, pin-out and SPI protocol compatible with Murata digital accelerometer product family
- RoHS compliant Dual Flat Lead (DFL) plastic package suitable for lead free soldering process and SMD mounting
- Proven capacitive 3D-MEMS technology

Applications

SCA3100-D07 is targeted to automotive applications with high stability requirements and vibration robustness. Typical applications include

- Electronic Stability Control (ESC)
- Hill Start Aid (HSA)
- Electronic Parking Brake (EPB)
- Roll Over
- Suspension
- Inclination
- Integrated inertial measurement
- Industrial applications

General Description

SCA3100-D07 is a high performance two axis accelerometer component based on Murata capacitive 3D-MEMS technology. The component integrates high accuracy micromechanical acceleration sensing together with a flexible SPI digital interface. Dual Flat Lead (DFL) housing of the component guarantees robust operation over the product lifetime.

SCA3100-D07 is designed, manufactured and tested for high stability, reliability and quality requirements of automotive applications. The accelerometer has extremely stable output over wide range of temperature, humidity and mechanical noise. The component is qualified against AEC-Q100 standard and has several advanced self-diagnostics features. The DFL housing is suitable for SMD mounting and the component is compatible with RoHS and ELV directives.

SCA3100-D07 is a part of Murata digital accelerometer family and fully compatible with single axis accelerometers (SCA800 series) and other multi axis accelerometers (SCA2100 series and SCA3100 series).

Performance Characteristics

Vdd=3.3 V and ambient temperature unless otherwise specified.

Parameter	Condition				Units
		Min	Typ	Max	
Analog and digital Vdd		3.0		3.6	V
Current consumption	Active mode		3	5	mA
	Power down mode		0.05		mA
Measurement range ¹⁾	Measurement axes (XYZ)	-6		6	g
Saturation warning limit ²⁾	Measurement axes (XYZ)		6.3		g
Operating temperature		-40		125	°C
Offset total error ³⁾	Temperature range -40 ... +125 °C	-100		100	mg
	RT 25 °C ±5°C	-50		50	mg
Offset temperature dependency ⁴⁾	Temperature range -40 ... +125 °C	-70		70	mg
Sensitivity	13 bit output		650		Count/g
Total sensitivity error		-3		3	% FS
Linearity error	+1g ... -1g range	-20		20	mg
	+3g...+1g, -1g...-3g	-40		40	mg
	+5g..+3g, -3g..-5g	-60		60	mg
Cross-Axis sensitivity				±3.5	%
Zero acceleration output	2-complement		0		Counts
Amplitude response ⁵⁾	-3dB frequency	30		55	Hz
Noise				10	mg RMS
Power on setup time				0.1	s
Output data rate			2000		Hz
Output load				50	pF
SPI clock rate				8	MHz
ESD protection	Human Body Model			2	kV
	Charged Device Model			1	kV
Moisture sensitivity level	IPC/JEDEC J-STD-020C, Level 3				
Mechanical shock				20 000	g
ID register value	Customer readable ID register (27hex)		C4		

- 1) Range defined as ball sphere $\sqrt{x^2+y^2+z^2} \leq 6g$
- 2) See product family specification for details on SAT-bit handling
- 3) Includes offset deviation from 0g value including calibration error and change over lifetime, temperature, and supply voltage.
- 4) Offset dependency due to temperature. Value is a relative value and has not to be centered to zero.
- 5) See figure 5.

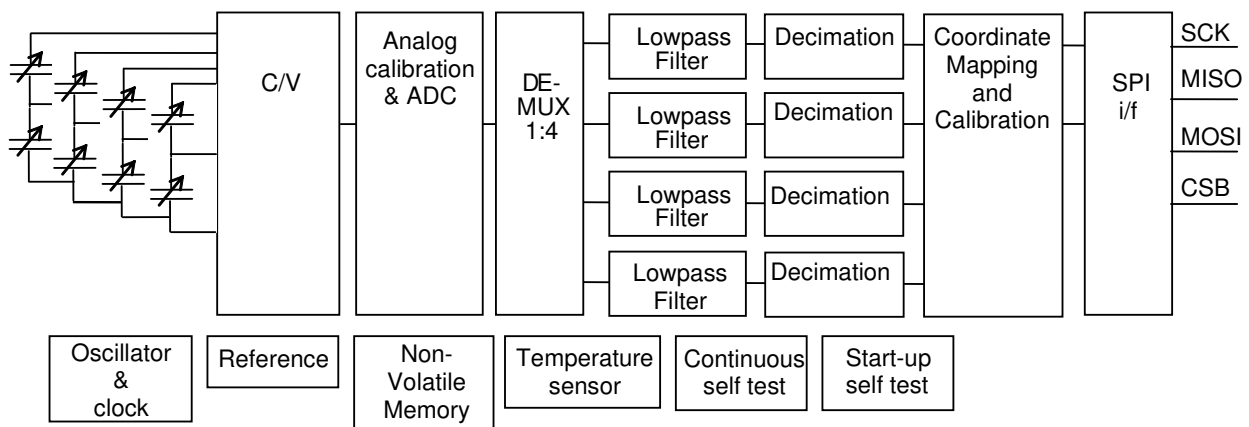


Figure 1. SCA3100-D07 Block diagram

Pin Description

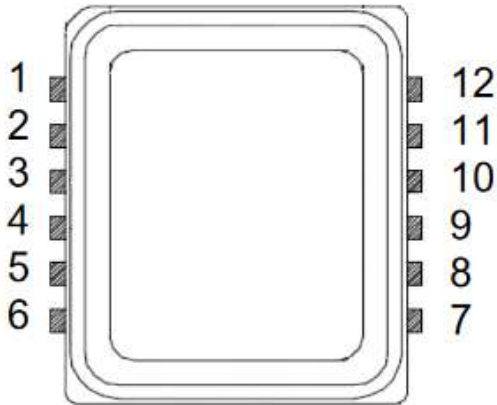


Figure 2. Component pinout

Table 1. Component pinout

No.	Name	Type ¹⁾	PD/PU ²⁾	Function	Connect
1	Reserved			Not used	Gnd
2	Reserved		PD	Factory use	Gnd
3	AVSS	AI		Negative power supply (analog)	Gnd
4	AVDD	AI		Positive power supply (analog)	Vdd
5	CSB	DI	PU	Chip select	CSB
6	MISO	ZO		Data output	MISO
7	SCK	DI	PD	Serial clock	SCK
8	MOSI	DI	PD	Data input	MOSI
9	Reserved		PD	Factory use	Not connected
10	DVDD	AI		Positive power supply (digital)	Vdd
11	DVSS	AI		Negative power supply (digital)	Gnd
12	EGnd	AI		EMC ground	Gnd

- 1) A = Analog, D = Digital, I = Input, O = Output, Z = Tristate Output
 2) PU = internal pullup, PD = internal pulldown

Further description of recommended circuit diagram and PWB layout can be found from company website.
 Documentation: **SCA8X0 21X0 3100 Product Family Specification**

Measurement Directions

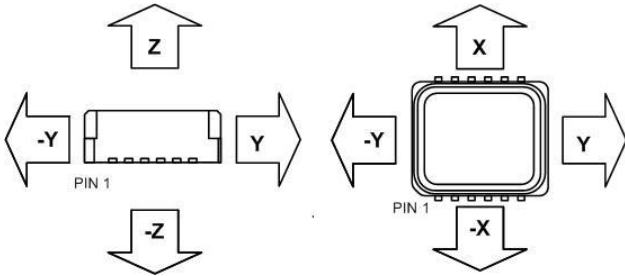


Figure 3. Accelerometer measuring directions

Housing Dimensions

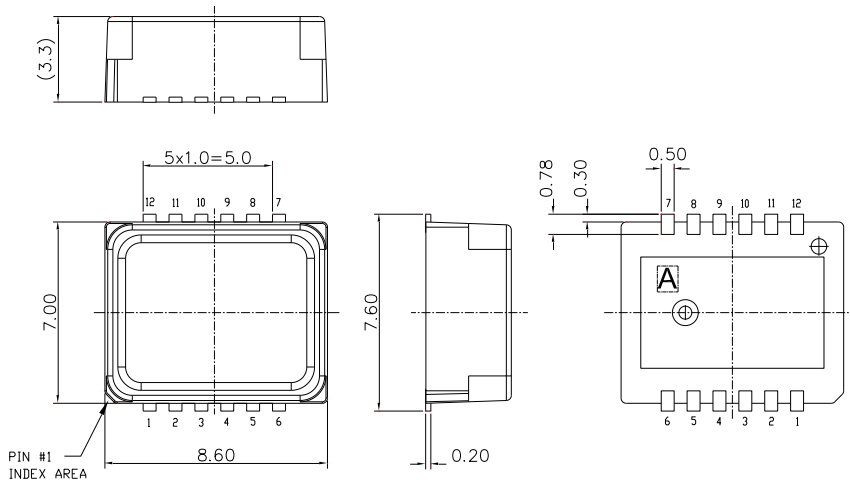


Figure 4. Housing dimensions

Frequency Response

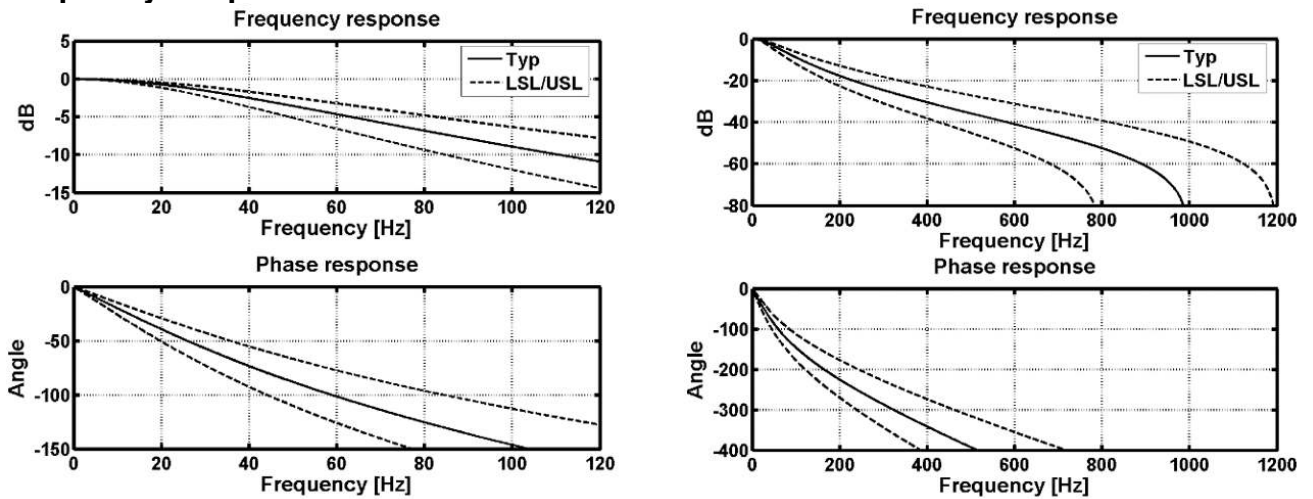


Figure 5. Frequency response curves

Order Information

Table 2. Order codes for SCA3100-D07

Order code	Description	Measurement Range (g)	Packing	Qty
SCA3100-D07-004	3-axis high performance accelerometer with digital SPI interface	±6 g	Bulk	4 pcs
SCA3100-D07-1	3-axis high performance accelerometer with digital SPI interface	±6 g	T&R	100 pcs
SCA3100-D07-10	3-axis high performance accelerometer with digital SPI interface <i>This order code is used for automotive customers after customer has approved the product for production</i>	±6 g	T&R	1000 pcs

Murata reserves all rights to modify this document without prior notice