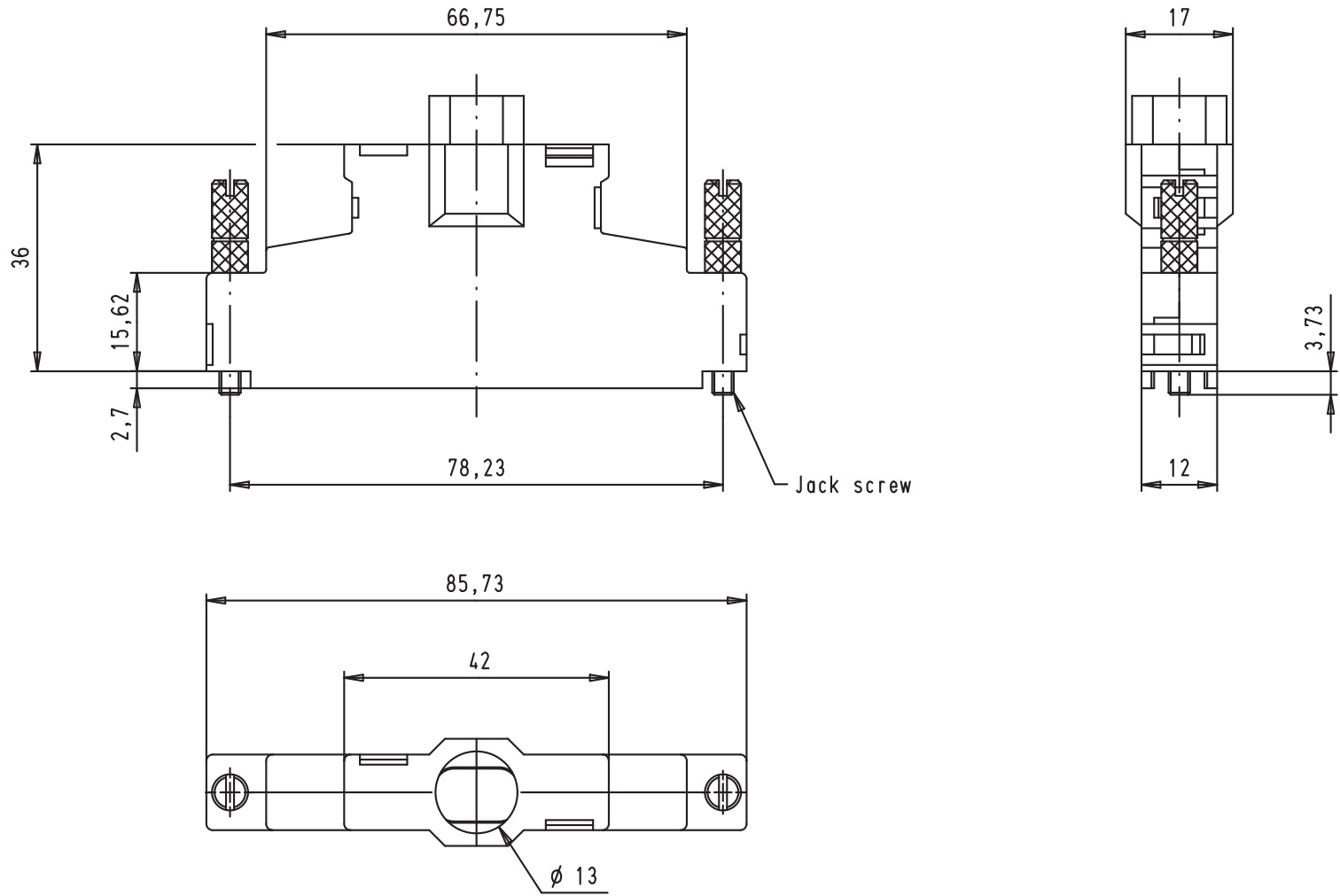




Alle Rechte vorbehalten/ All rights reserved



						 All Dim. in mm Orig. Size DIN A 4	Har-mik Plastic hood with metal insert for IDC pin/socket connector with jack screws	Maßstab/ Scale 1:1
			Detail.	22/04/09	PK			
			Insp.					
			Stand.					
60 03 100 0146	4-40 UNC		EC00338	22/04/09	PK		TB 60 03 100 014X	Blatt/ Page 1 / 1
60 03 100 0143	2-56 UNC		Mod.	22/04/09	Name			
Part number	Jack screws thread							
HARTING EURL F-95972 Paris							Sub. TB 60 03 100 0143 R35278	