

SIGN	DATE	DESCRIPTION	APPROVER
------	------	-------------	----------

THIS IS CAD DRAWING, DO NOT REVISE MANUALLY!!!

Material:

- Insulator(housing): Thermoplastic (UL94V-0)
- Wire guard: Stainless steel
- Terminal Body(contact pin): PhBz.
- Insulator(Cover): Thermoplastic (UL94V-0)

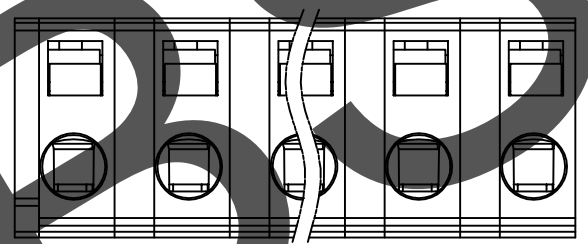
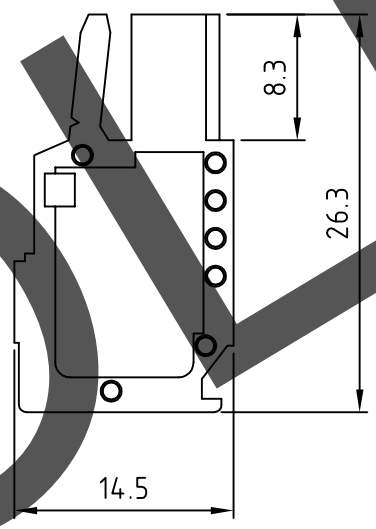
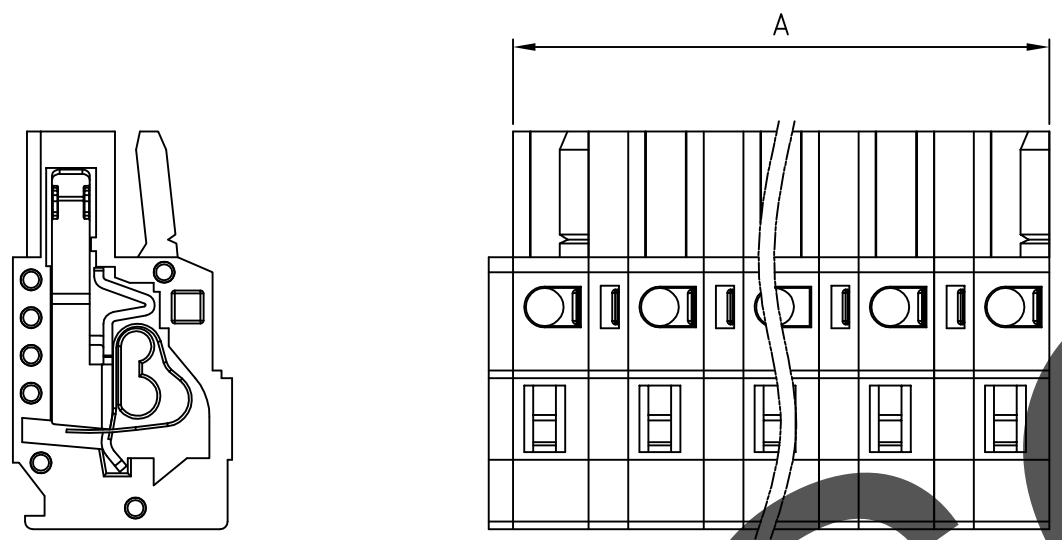
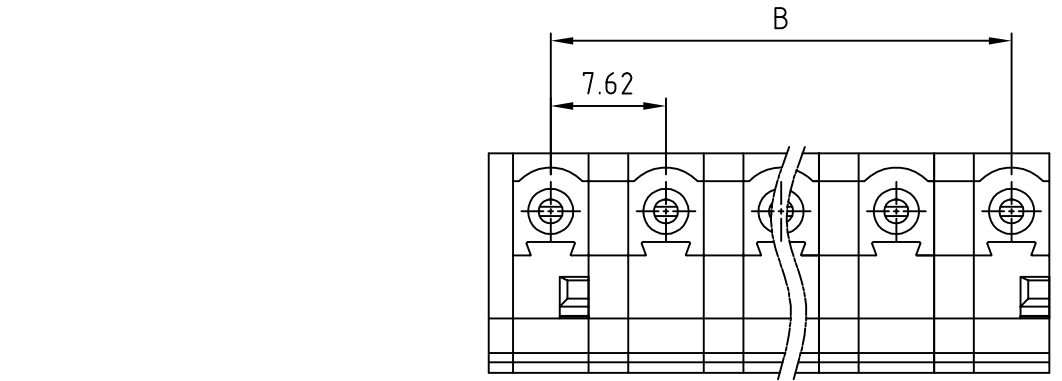
Electrical:

- Voltage rating: 300 V
- Current rating: 15 A
- Wire range: Solid wire(AWG): 12-28
Stranded wire(AWG): 12-28
- Wire strip length: 6-7 mm
- Withstanding Voltage: 1.6KV
- Operating temperature: -33°C to +105°C
- RoHS Compliant

PART NUMBER:

OSTHIXX3051

- | | |
|--------------|---------------------|
| No. of Poles | COLOR: |
| 02: 2 Poles | 0: Black |
| 03: 3 Poles | 5: Green (Standard) |
| | 6: Blue |
| 16 16 Poles | 8: Grey |



POLE		2	3	4	5	6	7	8
A		12.62	20.24	27.86	35.48	43.10	50.72	58.34
B		7.62	15.24	22.86	30.48	38.10	45.72	53.34
Tol.		±0.10			±0.15			
POLE	9	10	11	12	13	14	15	16
A	65.96	73.58	81.20	88.82	96.44	104.06	111.68	119.30
B	60.96	68.58	76.20	83.82	91.44	99.06	106.68	114.30
Tol.		±0.20			±0.30			

THESE DRAWINGS AND SPECIFICATIONS ARE THE PROPERTY OF ON-SHORE TECHNOLOGY, INC. AND SHALL NOT BE REPRODUCED, COPIED OR USED IN ANY MANNER WITHOUT THE PRIOR WRITTEN CONSENT OF ON-SHORE TECHNOLOGY, INC.

OST ON-SHORE TECHNOLOGY, INC.

TITLE	OSTHI 7.62mm With Pillar Series						
PART NO.	OSTHIXX3051			DWG NO.	OSTHIXX3051.DWG		
APPROVED	CHECKED	DESIGNED	DRAWN	CUST NO.	Tolerance		
		Tony 2006.10.23	Tony 2006.10.23		X. ±0.50		
					UNIT: mm		
					SCALE: NONE		
SHEET: 01/01				REV.: B	X.XX ±0.30		
					X° ±1°		