

**Withwave's Low PIM Test Adapters** are designed based on precision microwave interconnection technologies. **This DIN(F) to DIN(F) adapter** is manufactured to precise microwave specifications and constructed with female gender on side 1 and female gender side 2. The precision microwave connector interfaces ensure an excellent microwave performance up to 6 GHz.



### ■ Features

- Frequency range : DC to 6 GHz
- VSWR(Max) : 1.25 : 1
- Passive Intermodulation (Max.) : -165 dBc
- Contact: Silver Plated Beryllium Copper

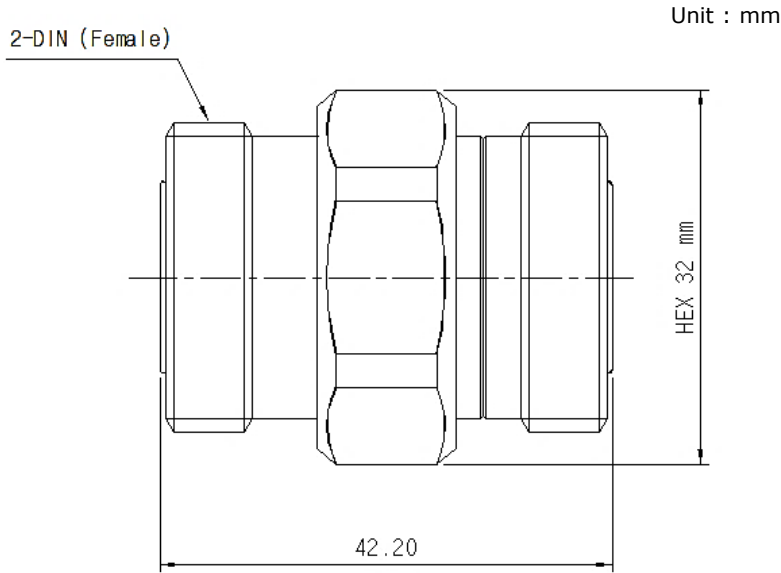
### ■ Specification

Scope	Specification	AD21F21FS1
Electrical	Impedance(Ohm)	50
	Operation Freq.(GHz)	DC to 6 GHz
	VSWR (Max)	1.25 : 1
Material	Dielectric	Special dielectric
	Center Contact	Beryllium copper with Silver plated
	Body	Brass with Ternary Alloy plated

\* RoHS Compliant

### ■ Drawing

Part No.: AD21F21FS1



### ■ Test Result

▪ Frequency : 10 MHz to 6 GHz

