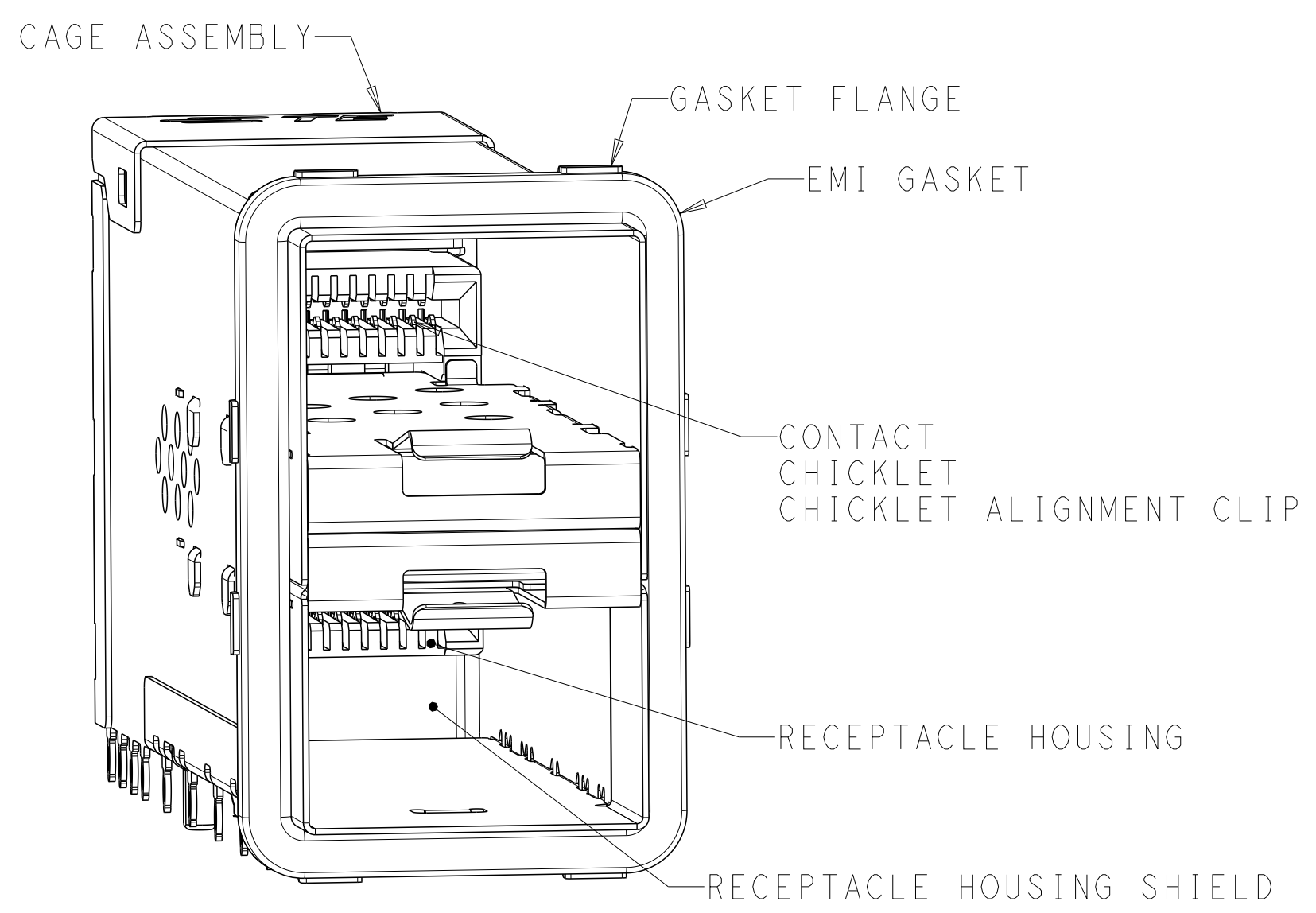
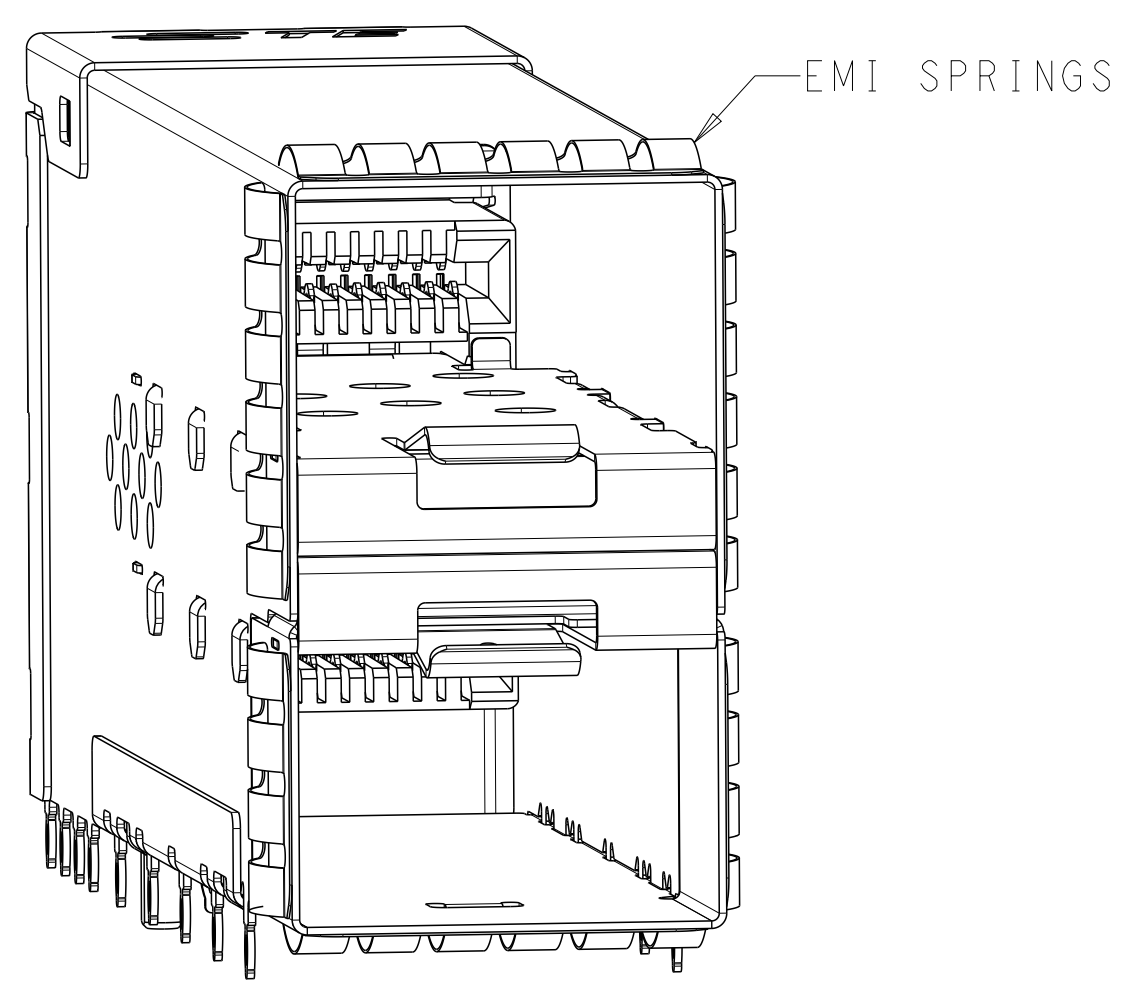


LOC		DIST		REVISIONS			
P	LTN	DESCRIPTION	DATE	OWN	APPD		
A		RELEASED PER ECO-14-008758	13JUN2014	CJV	PAR		
B		REVISED PER ECO-15-010819	10AUG2015	PP	SH		
C		REVISED PER ECN-22-166164	25JUL2022	IT	SZ		



2198318-1
 SCALE 4:1



2198318-5
 SCALE 4:1

- MATERIALS:
 CAGE ASSEMBLY - NICKEL-SILVER ALLOY PER ASTM B 122
 CONNECTOR HOUSING - LCP, BLACK, UL 94V-0 RATED
 CONNECTOR HOUSING SHIELD - COPPER ALLOY
 CHICKLET - LCP, BLACK, UL 94V-0 RATED
 CHICKLET ALIGNMENT CLIP - PBT
 CONTACT - COPPER ALLOY
 EMI GASKET - ELASTOMERIC
 GASKET FLANGE - STAINLESS STEEL
 EMI SPRINGS - PHOSPHOR BRONZE PER ASTM B 103,
 0.8µm MIN TIN PER ASTM B 545
 LIGHT PIPE - POLYCARBONATE
 LIGHT PIPE HOUSING - ZINC ALLOY

- CONTACT FINISH:
 CONFORMS TO THE REQUIREMENTS OF PRODUCT SPECIFICATION 108-2481, BASED ON EIA/ECA-364-1000.01A, (CONTROLLED ENVIRONMENT APPLICATIONS) ON MATING INTERFACE, TIN ON NEEDLE EYE

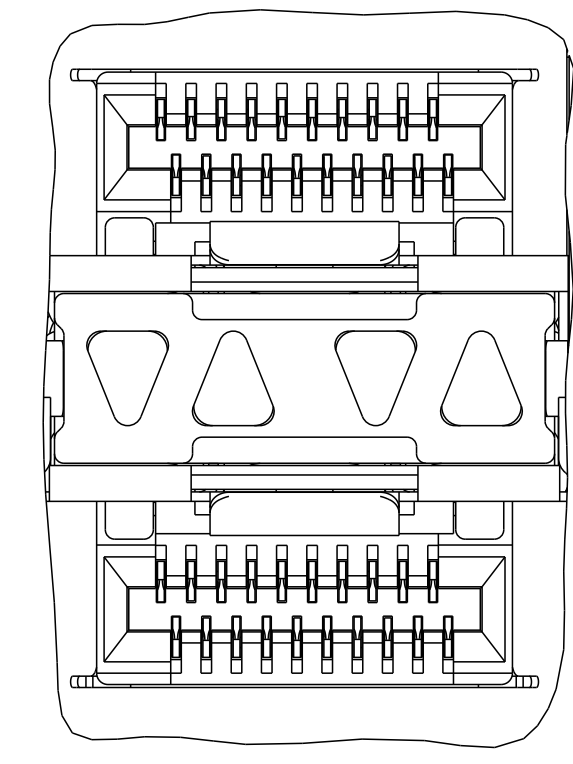
- PCB MINIMUM THICKNESS = 1.5mm

- 4 FOR HOLE SIZE AND PLATINGS,
 SEE APPLICATION SPECIFICATION 114-13319

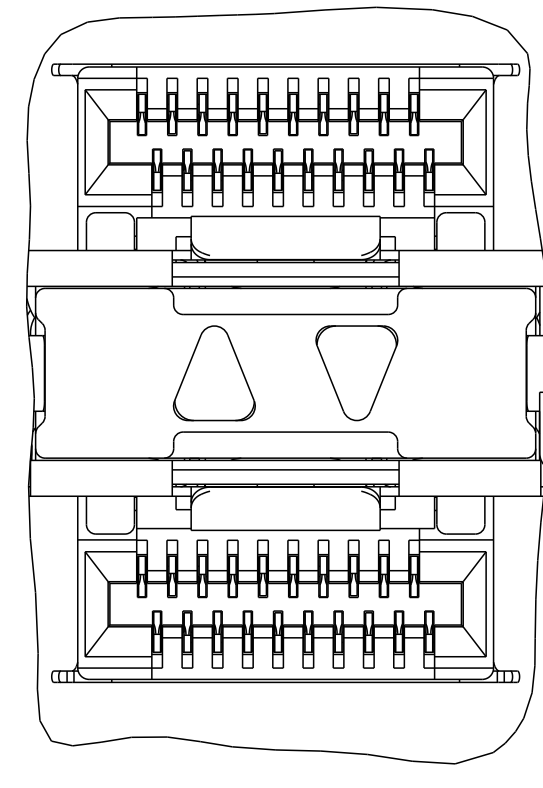
- 5 LIGHT PIPE PAD LAYOUT IS FOR 0805 LOW PROFILE
 LED PACKAGE WITH A HEIGHT OF 0.8mm

- 6 DIMENSIONS APPLY FOR EMI SPRINGS ONLY

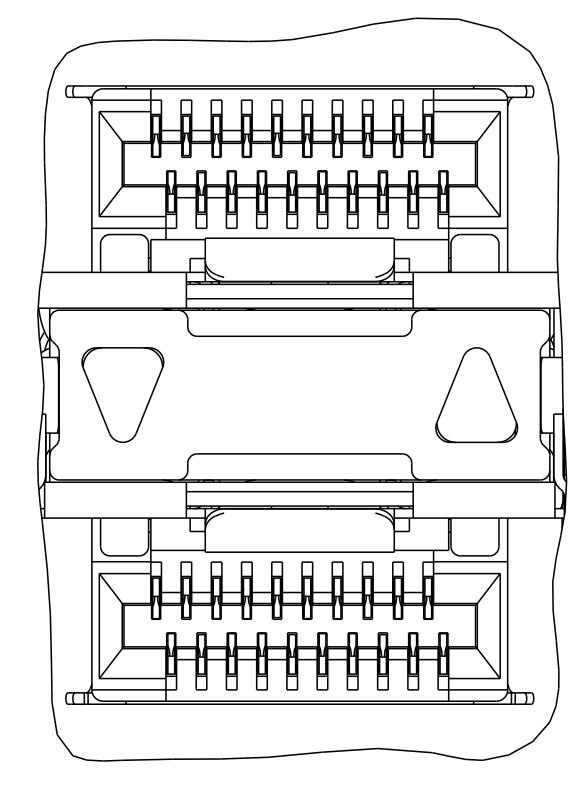
- 7 THE ENTIRE AREA OF THE CONNECTOR FOOTPRINT, INDICATED BY THE DASHED LINE, TO BE CONSIDERED THE KEEPOUT AREA FOR COMPONENTS AND SIGNAL TRACES, TOP SIDE ONLY, TOP SIDE TRACES ALLOWED WITHIN CONNECTOR HOLE PATTERN



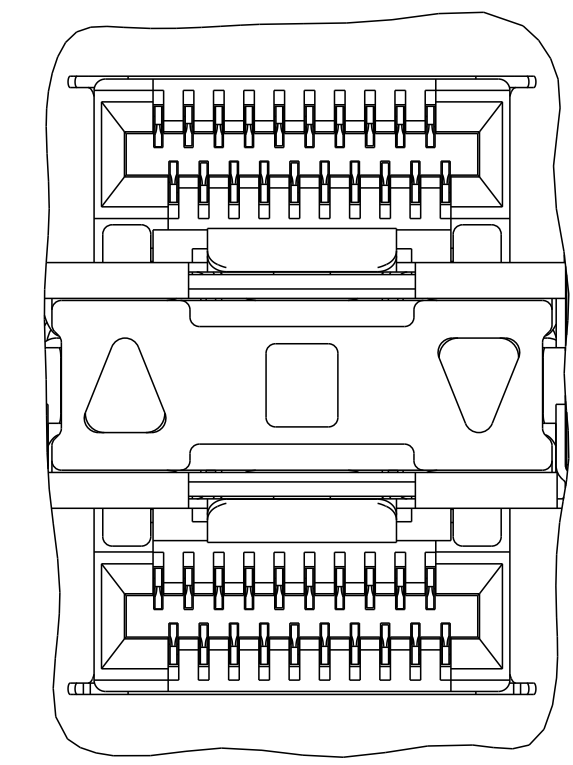
INNER/OUTER LIGHT PIPES
 2198318-2, 2198318-6
 SCALE 5:1



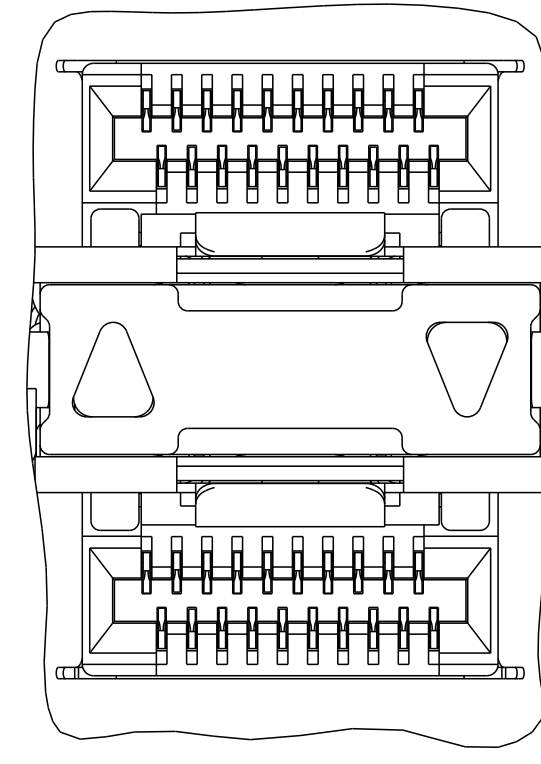
INNER LIGHT PIPES
 2198318-3, 2198318-7
 SCALE 5:1



OUTER LIGHT PIPES
 2198318-4, 2198318-8
 SCALE 5:1



CENTER/REVERSED OUTER LIGHT PIPES
 1-2198318-7, 1-2198318-9
 SCALE 5:1



REVERSED OUTER LIGHT PIPES
 1-2198318-8, 2-2198318-0
 SCALE 5:1

16.75	EMI SPRINGS	REVERSED OUTER	2-2198318-0
		CENTER/REVERSED OUTER	1-2198318-9
19.5	EMI GASKET	REVERSED OUTER	1-2198318-8
		CENTER/REVERSED OUTER	1-2198318-7
16.75	EMI SPRINGS	OUTER	2198318-8
		INNER	2198318-7
		INNER/OUTER	2198318-6
		NONE	2198318-5
19.5	EMI GASKET	OUTER	2198318-4
		INNER	2198318-3
		INNER/OUTER	2198318-2
		NONE	2198318-1
(E)	CAGE TYPE	LIGHT PIPE CONFIGURATION	PART NUMBER

THIS DRAWING IS A CONTROLLED DOCUMENT.

OWN: M. E. CONHER 17OCT2011
 CHG: M. D. MORRISON 18OCT2011
 APVD: M. D. MORRISON 18OCT2011

NAME: RECEPTACLE ASSEMBLY, 2X1, STACKED, zSFP+

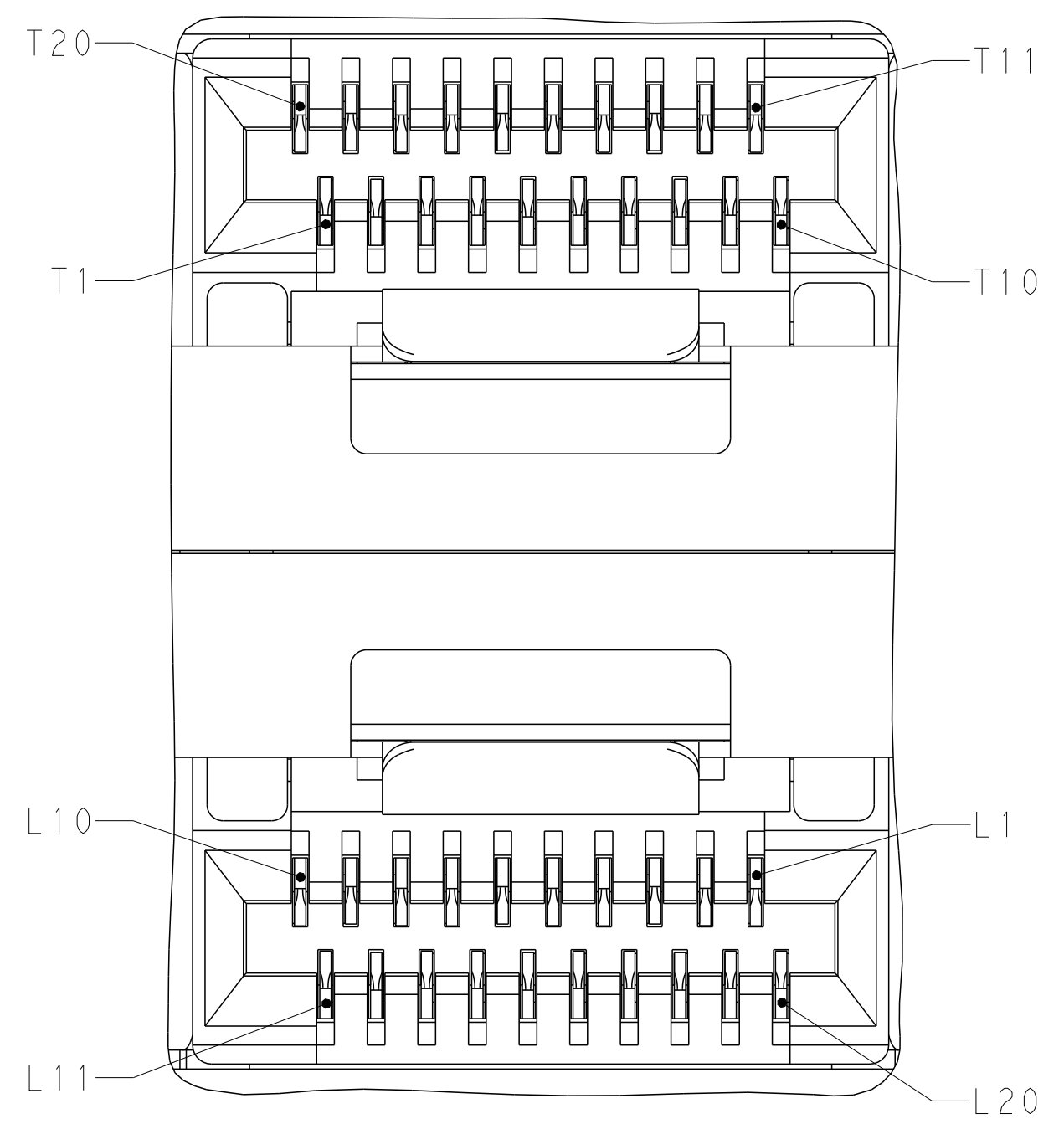
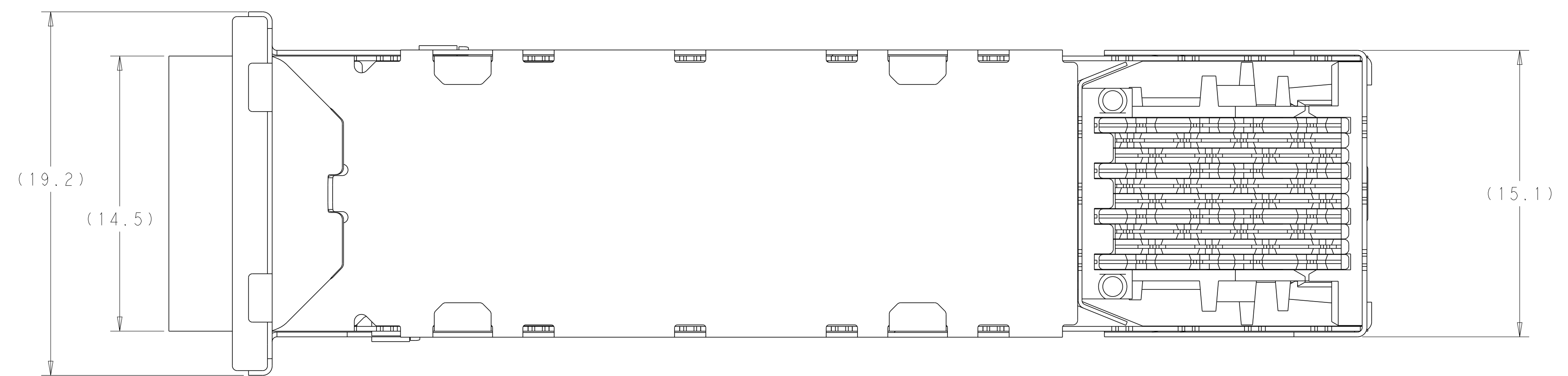
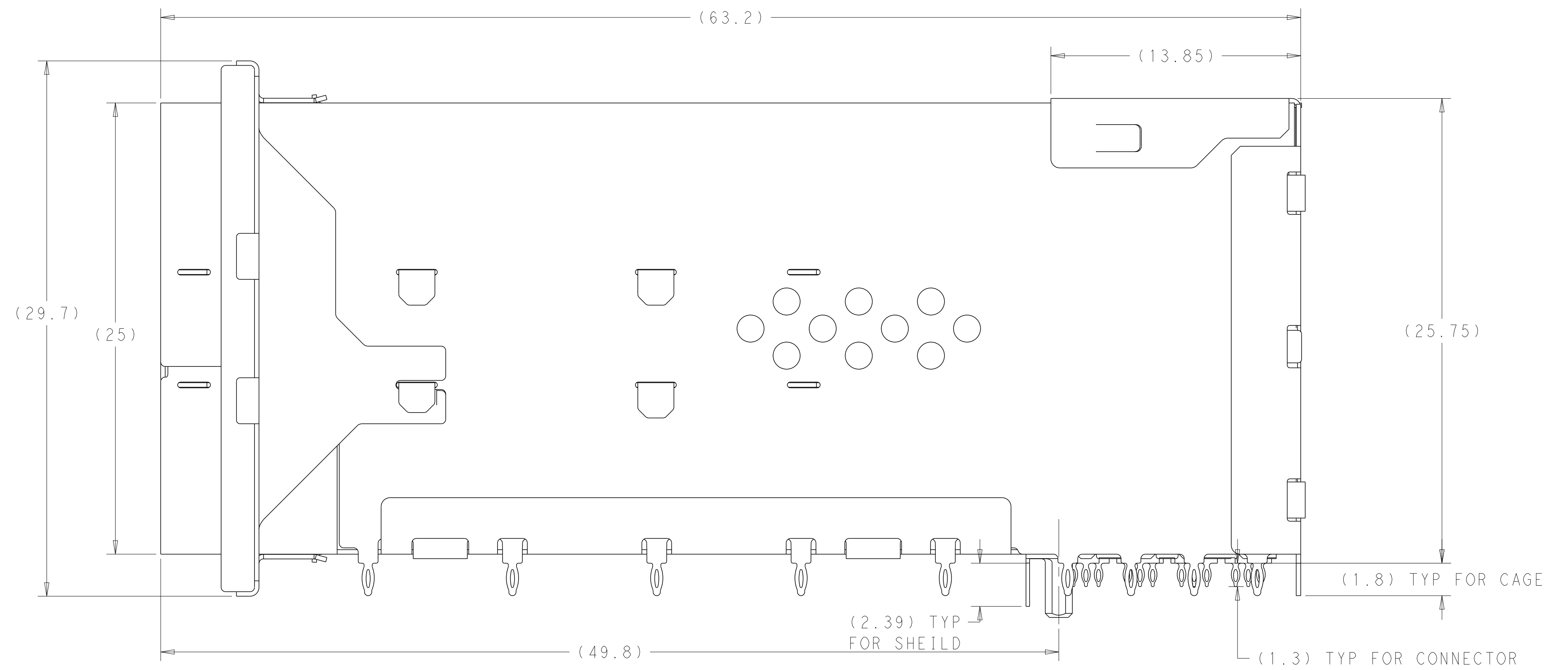
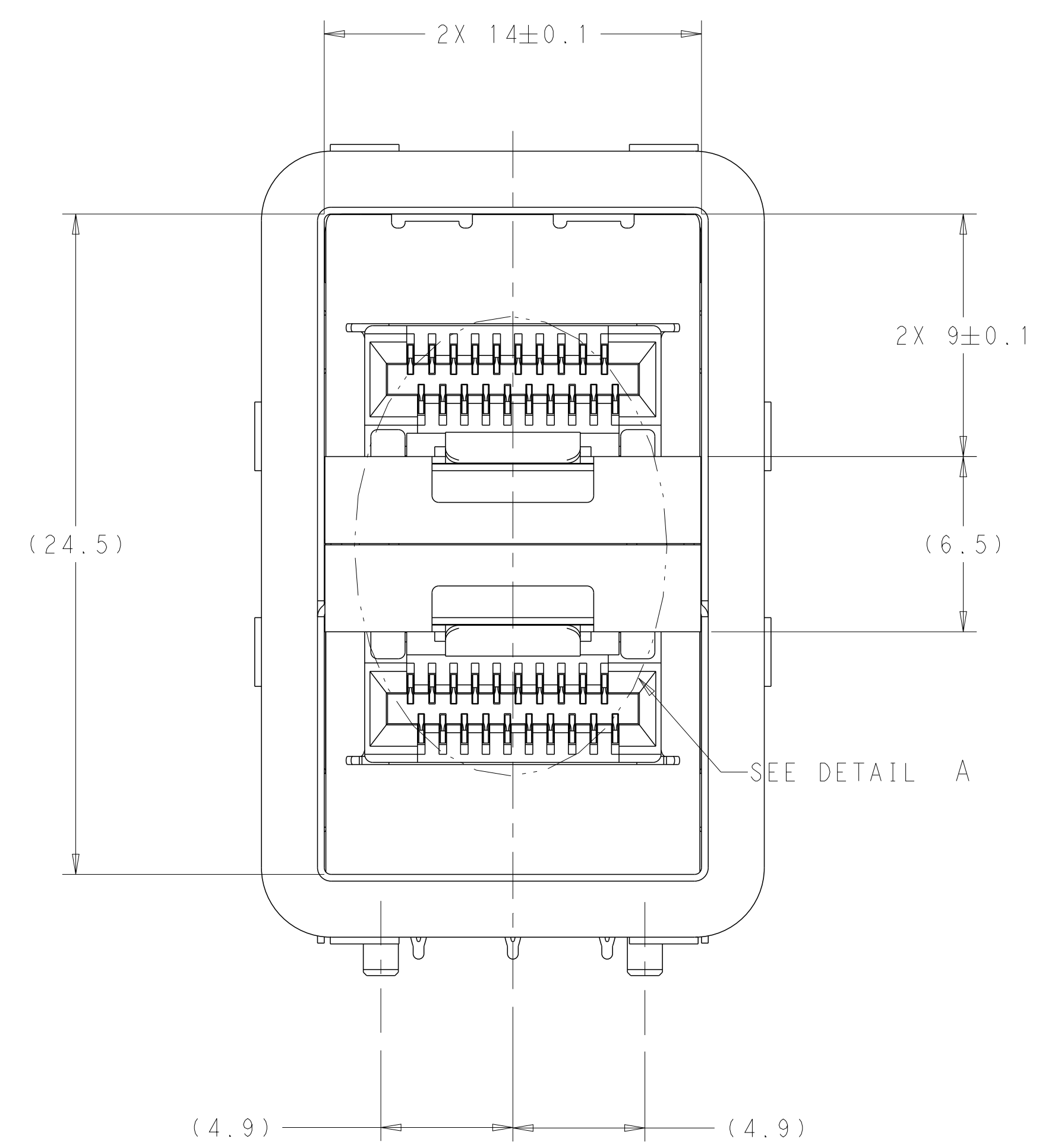
PRODUCT SPEC: 108-2481
 APPLICATION SPEC: 114-13319

SIZE: CAGE CODE DRAWING NO: A100779C=2198318
 RESTRICTED TO: -

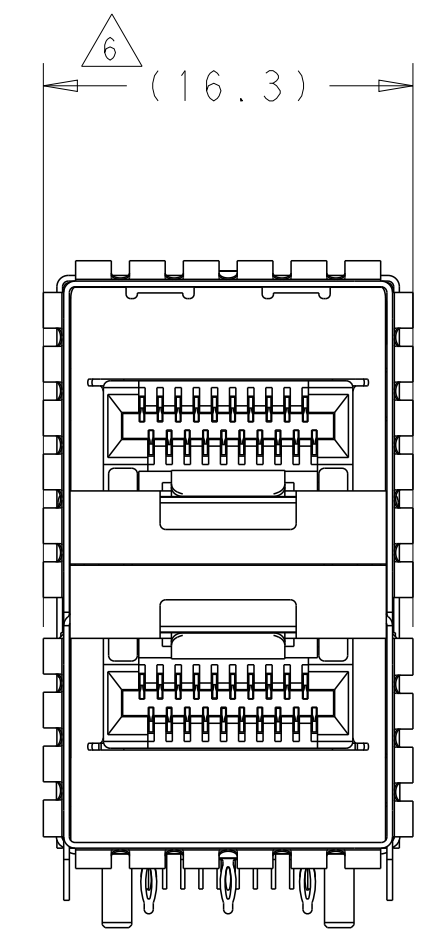
MATERIAL: SEE NOTES
 FINISH: SEE NOTES

Customer Drawing SCALE 4:1 SHEET 1 OF 4 REV C

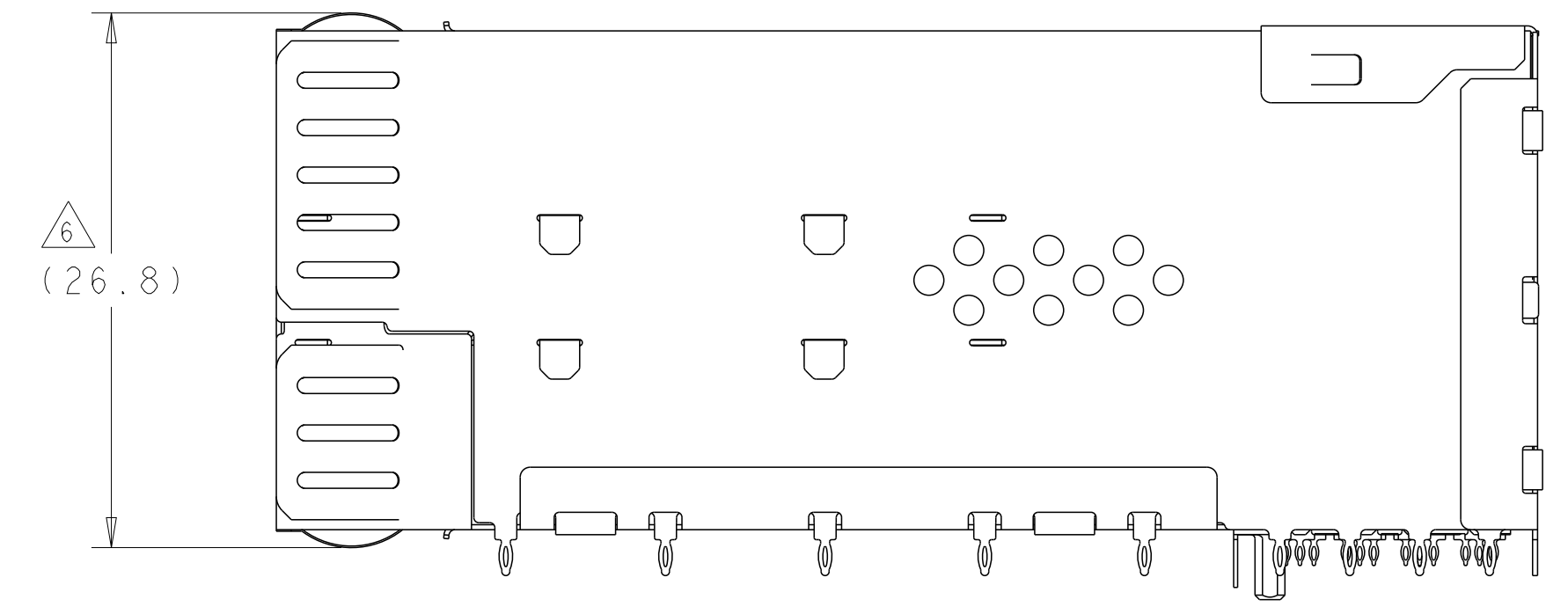
LOC	DIST	REVISIONS					
GP	00	P	LTH	DESCRIPTION	DATE	DMN	APVD
-	-	-	-	SEE SHEET 1	-	-	-



DETAIL A
 2 PLACES
 SCALE 10:1

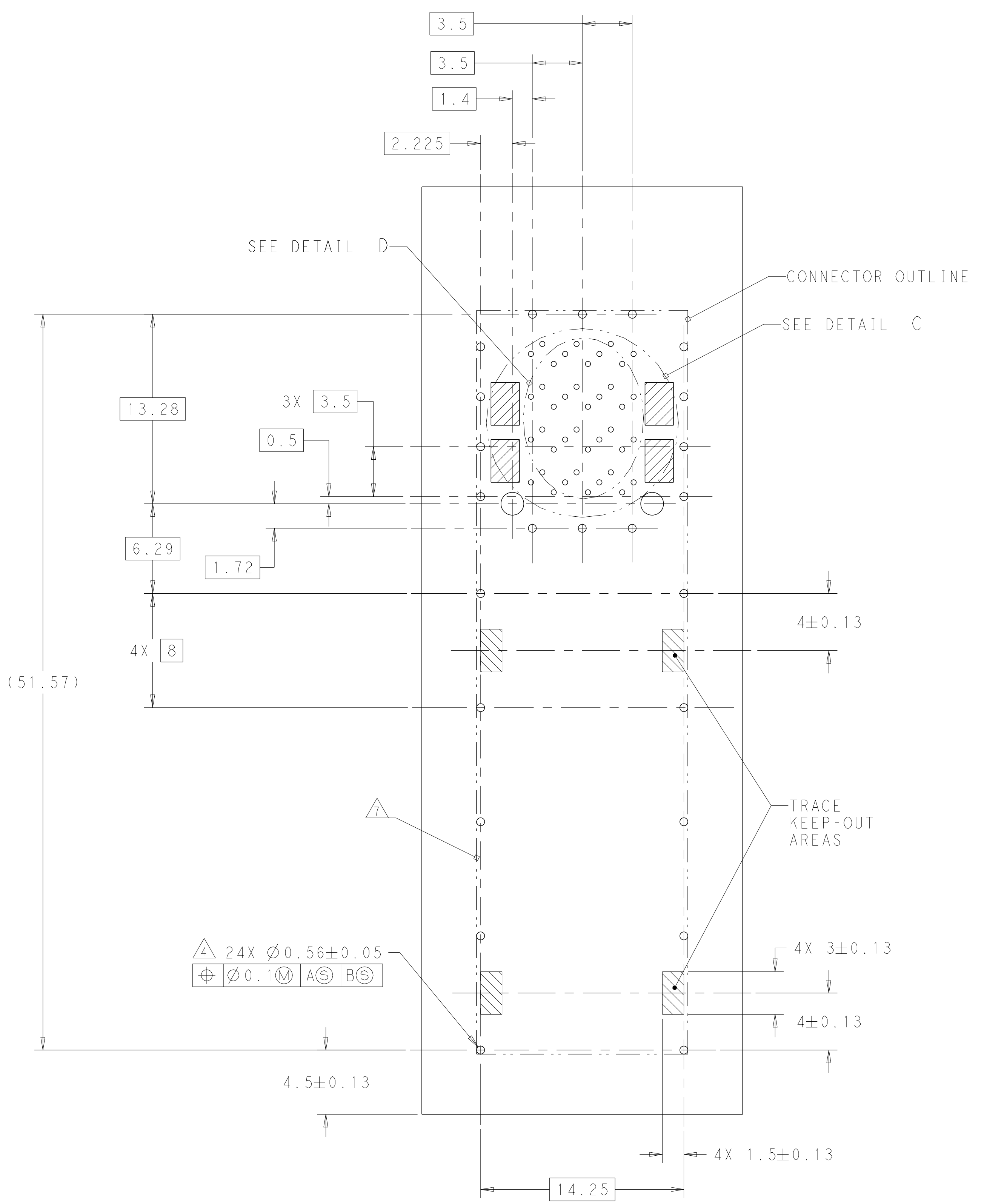


2198318-5 THRU 2198318-8, 1-2198318-9, 2-2198318-0
 EMI SPRINGS ONLY
 SCALE 3:1

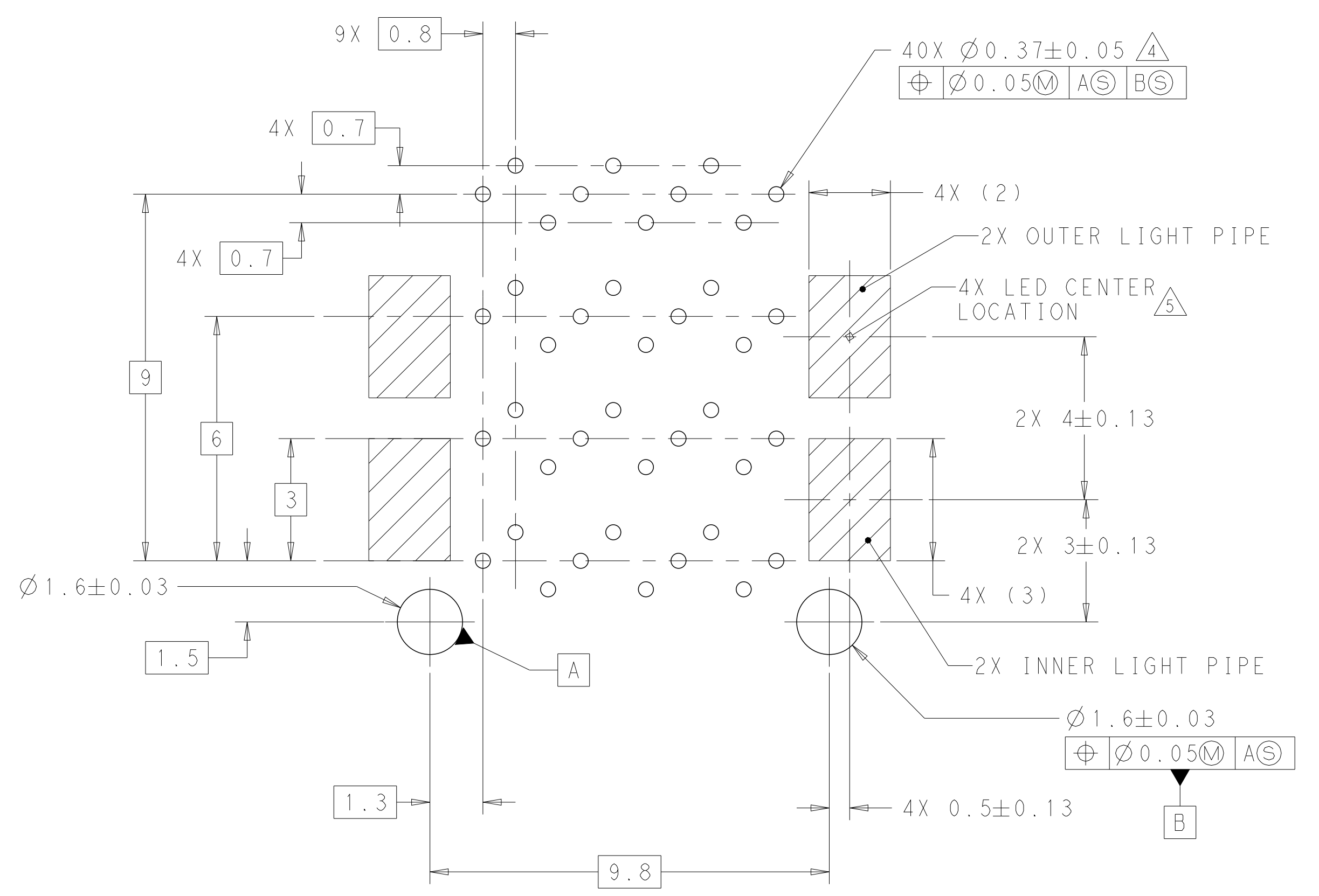


THIS DRAWING IS A CONTROLLED DOCUMENT.		DMN: M.E. COWHER 18OCT2011	 TE Connectivity RECEPTACLE ASSEMBLY, 2X1, STACKED, zSFP+
DIMENSIONS: mm		CHK: M.D. MORRISON 18OCT2011	
TOLERANCES UNLESS OTHERWISE SPECIFIED:		APVD: M.D. MORRISON 18OCT2011	
0 PLC ± 0.25 1 PLC ± 0.25 2 PLC ± 0.25 3 PLC ± 0.25 4 PLC ± 0.25 ANGLES ± 5°		NAME: PRODUCT SPEC APPLICATION SPEC 108-2481 114-13319	
MATERIAL: SEE NOTES	FINISH: SEE NOTES	WEIGHT: -	RESTRICTED TO: -
Customer Drawing		SIZE: A1	CAGE CODE: 00779
SCALE: 6:1		DRAWING NO: 2198318	
SHEET 2 OF 4		REV C	

LOC		DIST		REVISIONS			
GP	00	P	LTN	DESCRIPTION	DATE	DMN	APVD
-	-	-	-	SEE SHEET 1	-	-	-
-	-	-	-	-	-	-	-
-	-	-	-	-	-	-	-



RECOMMENDED PCB LAYOUT
 SCALE 5:1



DETAIL C
 RECOMMENDED PIN AND LIGHT PIPE LAYOUT
 SCALE 10:1

THIS DRAWING IS A CONTROLLED DOCUMENT.

DIMENSIONS: mm 	TOLERANCES UNLESS OTHERWISE SPECIFIED: 0 PLC ±0.2 1 PLC ±0.20 2 PLC ±0.15 3 PLC ± 4 PLC ± ANGLES ±5° FINISH SEE NOTES	DWN: M.E. COWHER 18OCT2011 CHK: M.D. MORRISON 18OCT2011 APVD: M.D. MORRISON 18OCT2011 PRODUCT SPEC: 108-2481 APPLICATION SPEC: 114-13319 WEIGHT: - Customer Drawing	NAME: RECEPTACLE ASSEMBLY, 2X1, STACKED, zSFP+ SIZE: A1 CAGE CODE: 00779 DRAWING NO: 2198318 SCALE: 4:1 SHEET: 3 OF 4 REV: C
--------------------	--	---	--

STE TE Connectivity

LOC	DIST	REVISIONS					
GP	00	P	LTN	DESCRIPTION	DATE	OWN	APVD
		-		SEE SHEET 1			

T19 ○ T16 ○ T13 ○
 T20 ○ T17 ○ T14 ○ T11 ○
 T18 ○ T15 ○ T12 ○

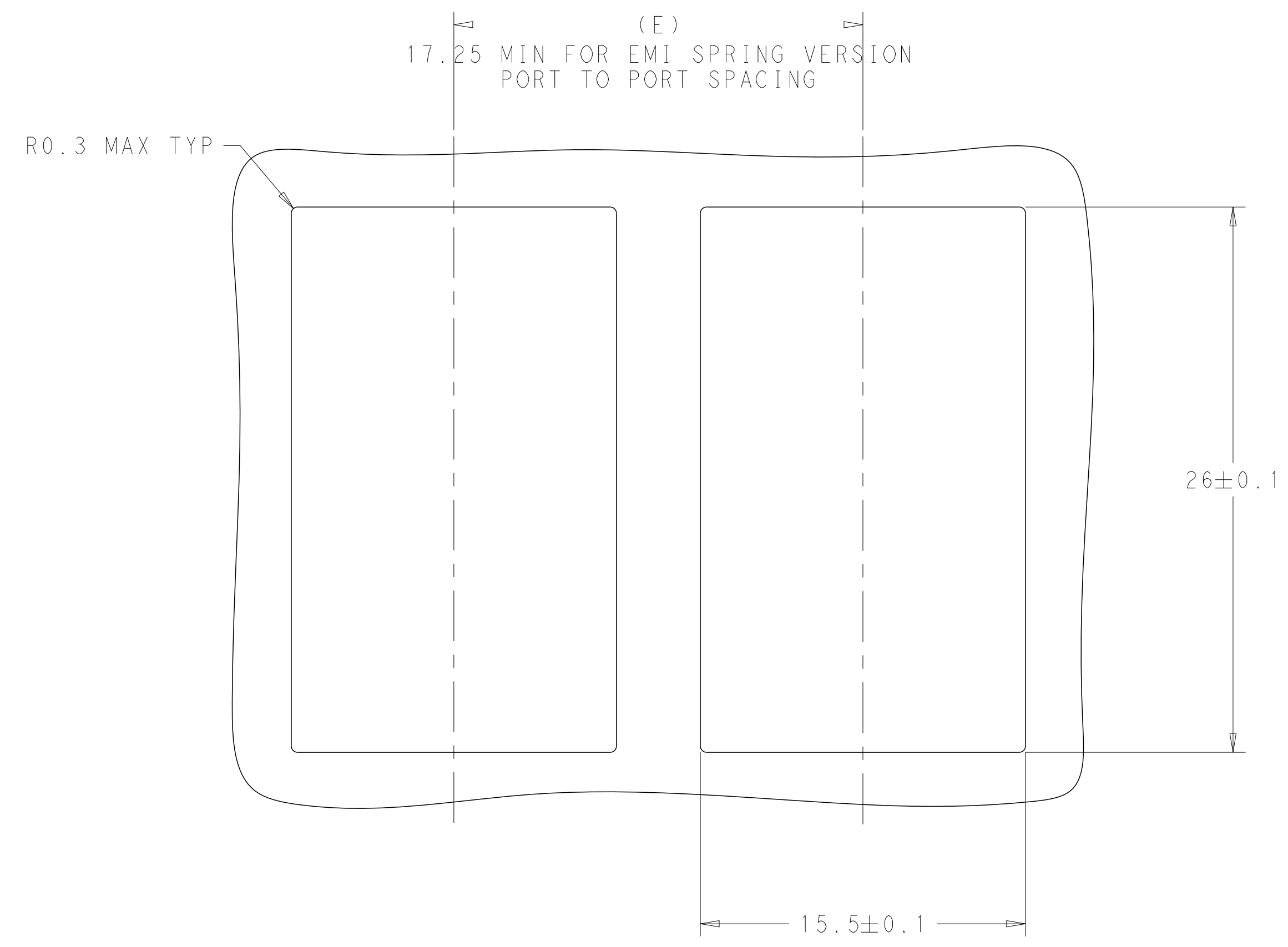
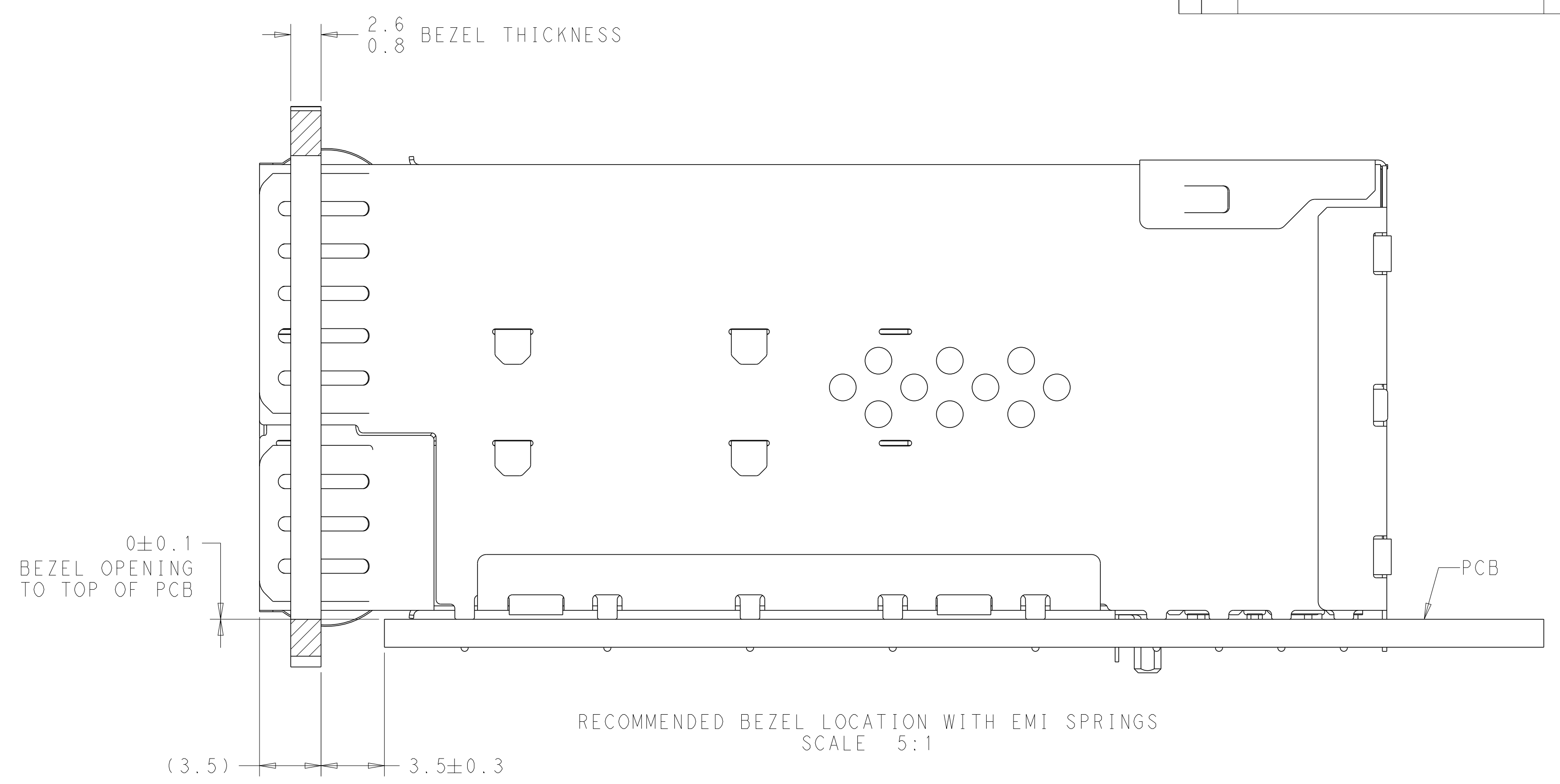
T2 ○ T5 ○ T8 ○
 T1 ○ T4 ○ T7 ○ T10 ○
 T3 ○ T6 ○ T9 ○

L9 ○ L6 ○ L3 ○
 L10 ○ L7 ○ L4 ○ L1 ○
 L8 ○ L5 ○ L2 ○

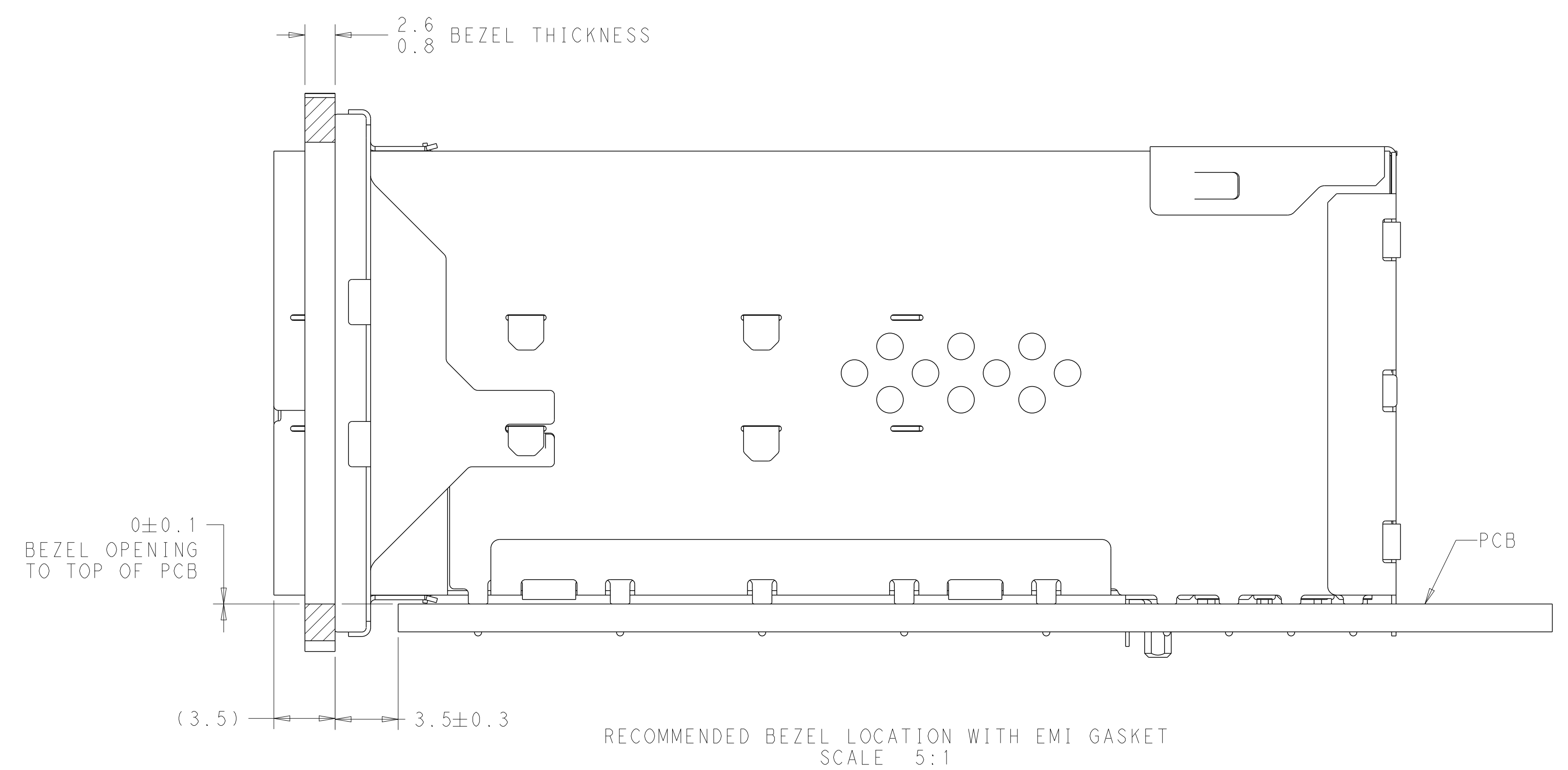
L12 ○ L15 ○ L18 ○
 L11 ○ L14 ○ L17 ○ L20 ○
 L13 ○ L16 ○ L19 ○

DETAIL D
 PIN MAP
 SCALE 15:1

PIN MAP LEGEND	
PIN NUMBER	FUNCTION
L1/T1	VEET
L2/T2	TX-FAULT
L3/T3	TX-DISABLE
L4/T4	SDA
L5/T5	SCL
L6/T6	MOD_ABS
L7/T7	RSO
L8/T8	RX_LOS
L9/T9	RS1
L10/T10	VEER
L11/T11	VEER
L12/T12	RD-
L13/T13	RD+
L14/T14	VEER
L15/T15	VCCR
L16/T16	VCCT
L17/T17	VEET
L18/T18	TD+
L19/T19	TD-
L20/T20	VEET



RECOMMENDED BEZEL CUT-OUT DETAIL
 SCALE 5:1



THIS DRAWING IS A CONTROLLED DOCUMENT.		OWN: M.E. CONHER 17OCT2011	TE Connectivity
DIMENSIONS: mm		CHK: M.D. MORRISON 18OCT2011	
TOLERANCES UNLESS OTHERWISE SPECIFIED:		APVD: M.D. MORRISON 18OCT2011	NAME: RECEPTACLE ASSEMBLY, 2X1, STACKED, zSFP+
0 PLC	±0.2	PRODUCT SPEC	SIZE: 108-2481
1 PLC	±0.20	APPLICATION SPEC	RESTRICTED TO
2 PLC	±0.15	114-13319	SCALE: 4:1
3 PLC	±	WEIGHT: -	SHEET 4 OF 4
4 PLC	±	Customer Drawing	REV C
ANGLES	±		
FINISH	±		