

**MMA040PP5**

**Datasheet**

**DC–27 GHz GaAs MMIC Distributed Low-Noise Amplifier**

Released

May 2017



Power Matters.™

## Contents

---

1	Revision History .....	1
1.1	Revision 1.0 .....	1
2	Product Overview .....	2
2.1	Applications .....	2
2.2	Key Features .....	2
3	Electrical Specifications .....	3
3.1	Absolute Maximum Ratings .....	3
3.2	Specified Electrical Performance .....	4
3.3	Typical Performance Curves .....	4
4	Package Specification .....	8
4.1	Package Outline Drawing .....	8
4.2	Package Information .....	8
4.3	Pin Descriptions .....	9
4.4	Application Circuit .....	10
5	Handling Recommendations .....	11
6	Evaluation Board Information .....	12
7	Ordering Information .....	13

# 1 Revision History

---

The revision history describes the changes that were implemented in the document. The changes are listed by revision, starting with the most current publication.

## 1.1 Revision 1.0

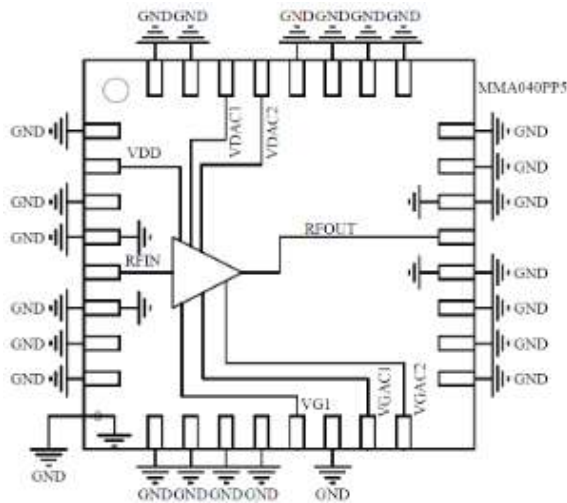
Revision 1.0 was published in May 2017. It was the first publication of this document.

## 2 Product Overview

MMA040PP5 is a gallium arsenide (GaAs) monolithic microwave integrated circuit (MMIC) pseudomorphic high-electron-mobility transistor (pHEMT) low-noise distributed amplifier in a leadless 5 mm × 5 mm surface-mount package that operates between DC and 27 GHz. It is ideal for test instrumentation and electronic warfare applications. The amplifier provides a flat gain of 16 dB, 2 dB noise figure, and 16 dBm of output power at 1 dBm gain compression while requiring only 60 mA from an 8 V supply. Output IP3 is typically 28 dBm. The MMA040PP5 amplifier features RF I/Os that are internally matched to 50 Ω. It is also available in die form as the MMA040AA.

The following illustration shows the primary functional blocks of the MMA040PP5 device.

**Figure 1 • MMA040PP5 Functional Block Diagram**



### 2.1 Applications

The MMA040PP5 device is designed for the following applications:

- Test and measurement instrumentation
- Electronic warfare (EW), electronic countermeasures (ECM), and electronic counter-countermeasures (ECCM)
- Military and space
- Telecom infrastructure
- Wideband microwave radios
- Microwave and millimeter-wave communication systems

### 2.2 Key Features

The following are key features of the MMA040PP5 device:

- Frequency range: DC to 27 GHz
- Flat gain: 16 dB
- High-output IP3: 28 dBm
- Low-noise figure: 2 dB at 12 GHz
- Supply voltage: 8 V at 60 mA
- 50 Ω matched I/O
- 32-lead 5 mm × 5 mm QFN package: 25 mm<sup>2</sup>

## 3 Electrical Specifications

---

This section details the electrical specifications of the MMA040PP5 device.

### 3.1 Absolute Maximum Ratings

The following table lists the absolute maximum ratings of the MMA040PP5 device.

**Table 1 • Absolute Maximum Ratings**

Parameter	Rating
Storage temperature	–65 °C to 150 °C
Operating temperature	–40 °C to 85 °C
Drain bias voltage ( $V_D$ )	9 V
Gate bias voltage ( $V_{G1}$ and $V_{G2}$ )	–2 V to 0.5 V
$V_D$ current ( $I_{DD}$ )	90 mA
RF input power	22 dBm
DC power dissipation ( $T = 85$ °C)	1.1 W
Channel temperature	150 °C
Thermal impedance	60 °C/W
ESD HBM	TBD

### 3.2 Specified Electrical Performance

The following table lists the specified electrical performance of the MMA040PP5 device at 25 °C, where  $V_{DD}$  is 8 V and  $I_{DD}$  is 60 mA.

**Table 2 • Specified Electrical Performance**

Parameter	Frequency Range	Min	Typ	Max	Units
Operational frequency range		DC	20	27	GHz
Gain	DC–6 GHz	15.5	16		dB
Gain	6 GHz–12 GHz	15.5	16		dB
Gain	12 GHz–20 GHz	15	15.5		dB
Gain flatness	DC–6 GHz		±0.3		dB
Gain flatness	6 GHz–12 GHz		±0.2		dB
Gain flatness	12 GHz–20 GHz		±0.3		dB
Noise figure	DC–6 GHz		3	4	dB
Noise figure	6 GHz–12 GHz		2	3	dB
Noise figure	12 GHz–20 GHz		2.5	3.5	dB
Input return loss	DC–6 GHz		15		dB
Input return loss	6 GHz–12 GHz		15		dB
Input return loss	12 GHz–20 GHz		15		dB
Output return loss	DC–6 GHz		12		dB
Output return loss	6 GHz–12 GHz		12		dB
Output return loss	12 GHz–20 GHz		12		dB
P1dB	DC–6 GHz	13	16		dBm
P1dB	6 GHz–12 GHz	13	16		dBm
P1dB	12 GHz–20 GHz	12	15		dBm
OIP3	DC–6 GHz		28		dBm
OIP3	6 GHz–12 GHz		28		dBm
OIP3	12 GHz–20 GHz		27		dBm
$V_{DD}$ (drain voltage supply)			8		V
$I_{DD}$ (drain current)			60		mA

### 3.3 Typical Performance Curves

The following graphs show the typical performance curves of the MMA040PP5 device at 25 °C, where  $V_{DD} = 7$  V and  $I_{DD} = 60$  mA (unless otherwise stated).

Figure 2 • S21 vs. Temperature

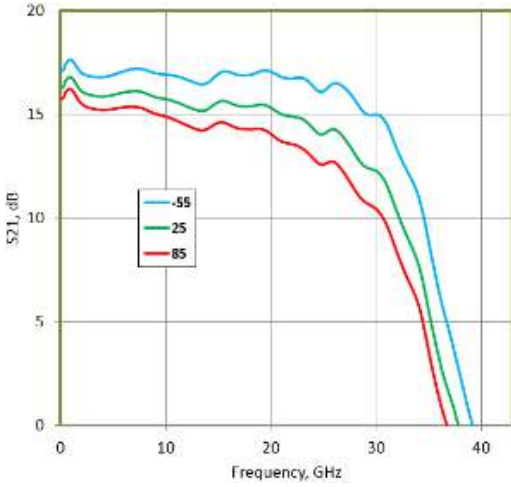


Figure 3 • S11 vs. Temperature

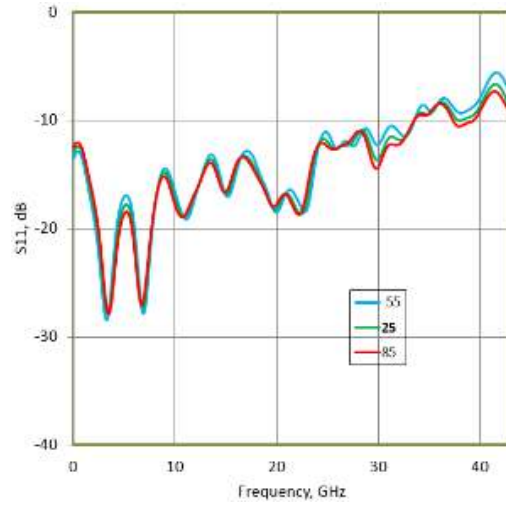


Figure 4 • Output Return Loss vs. Temp (Vdd = 8 V)

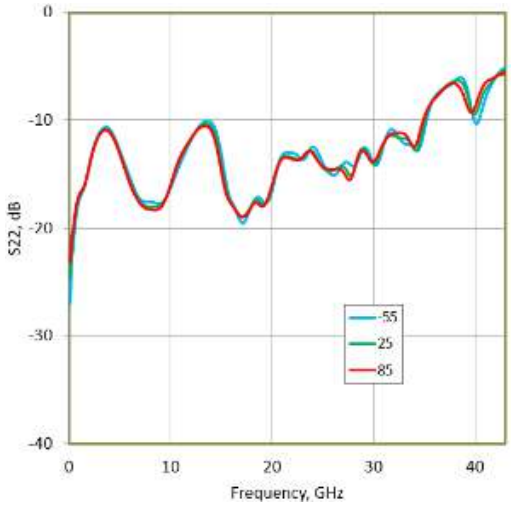


Figure 5 • Noise Figure vs. Temperature

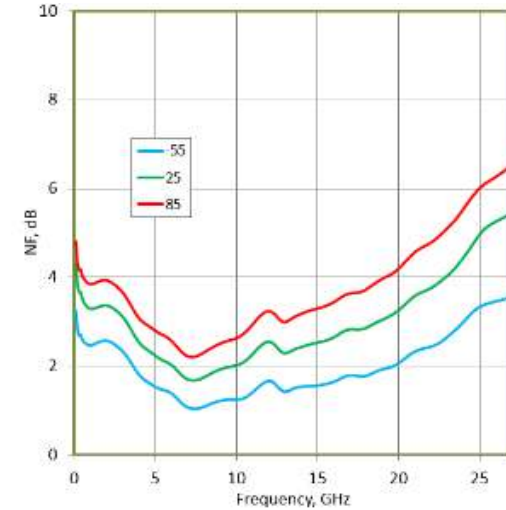


Figure 6 • P1dB Output Power vs. Temperature

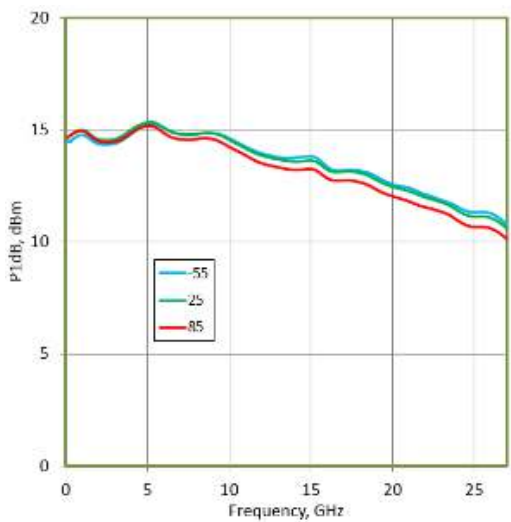
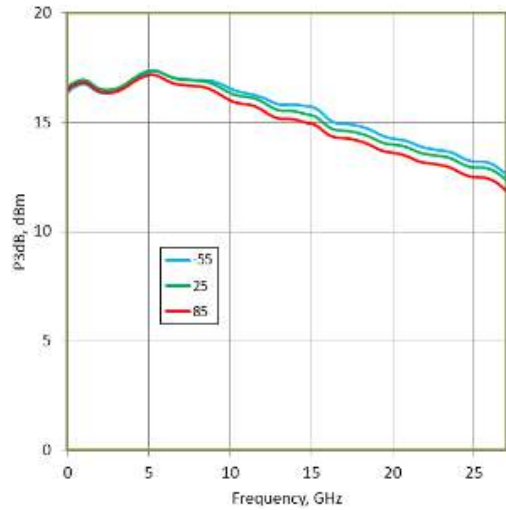
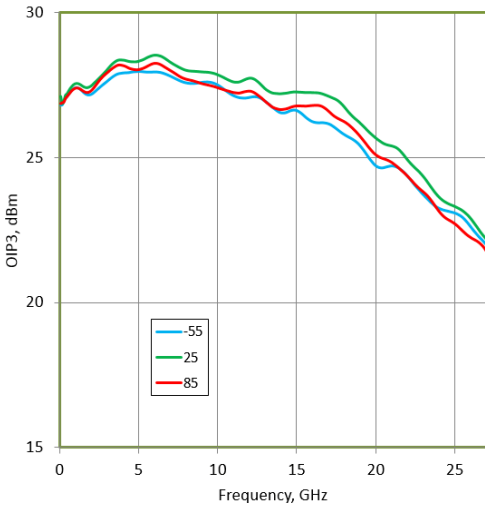


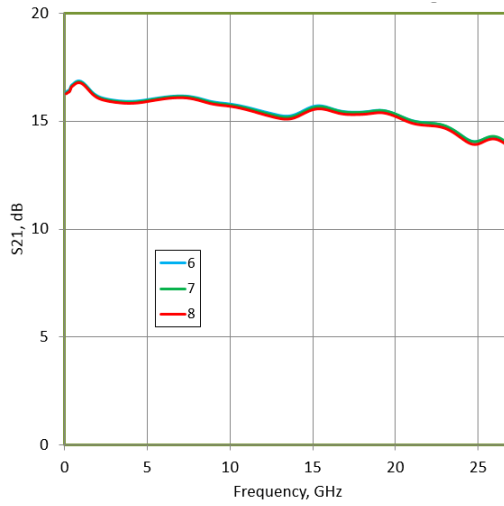
Figure 7 • P3dB Output Power vs. Temperature



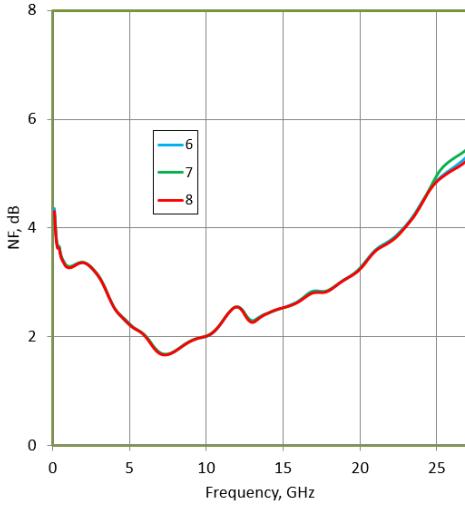
**Figure 8 • Output IP3 vs. Temperature**



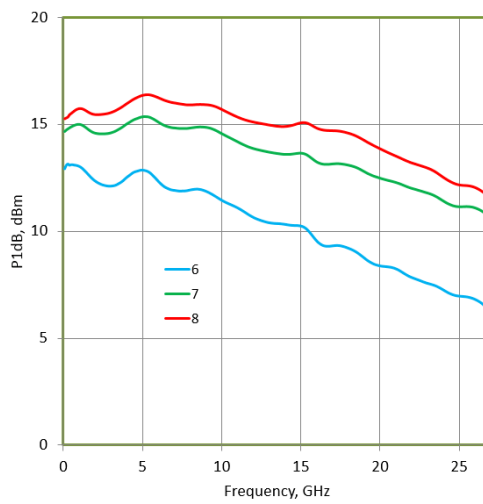
**Figure 9 • S21 vs. Vdd**



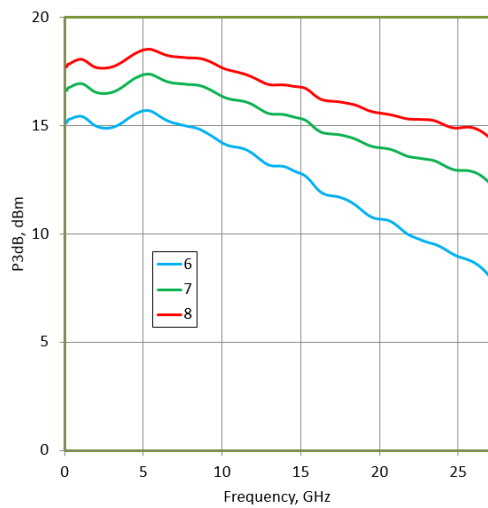
**Figure 10 • Noise Figure Response vs. Vdd**



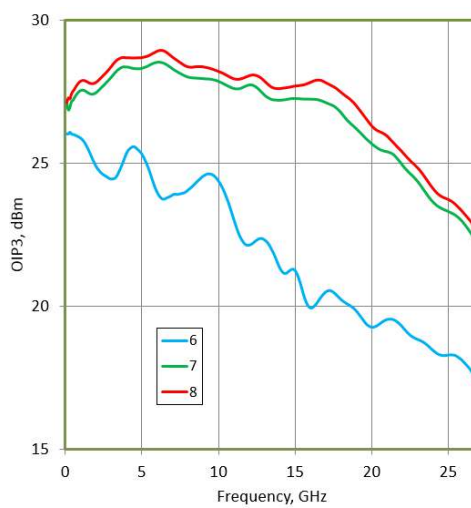
**Figure 11 • P1dB vs. Voltage**



**Figure 12 • P3dB vs. Voltage**

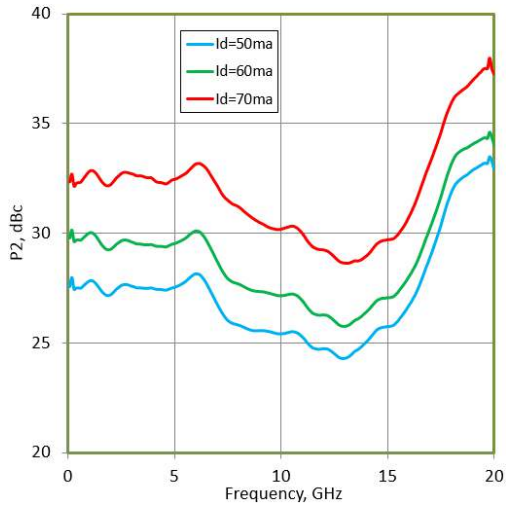


**Figure 13 • Output IP3 vs. Voltage**

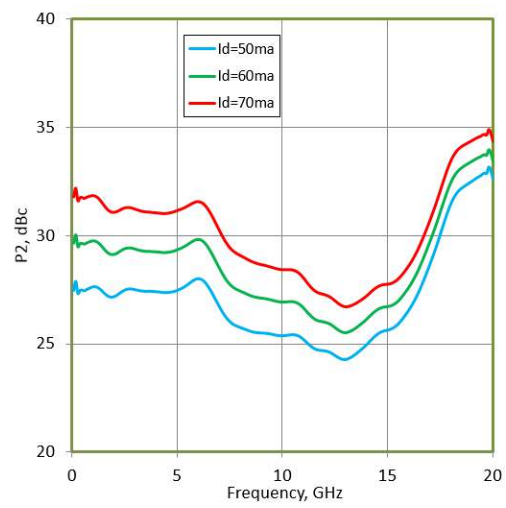




**Figure 14 • Second Harmonic Level Suppression (Pout=5 dBm)**



**Figure 15 • Second Harmonic Level (Pout=5 dBm, Vdd=8 V)**



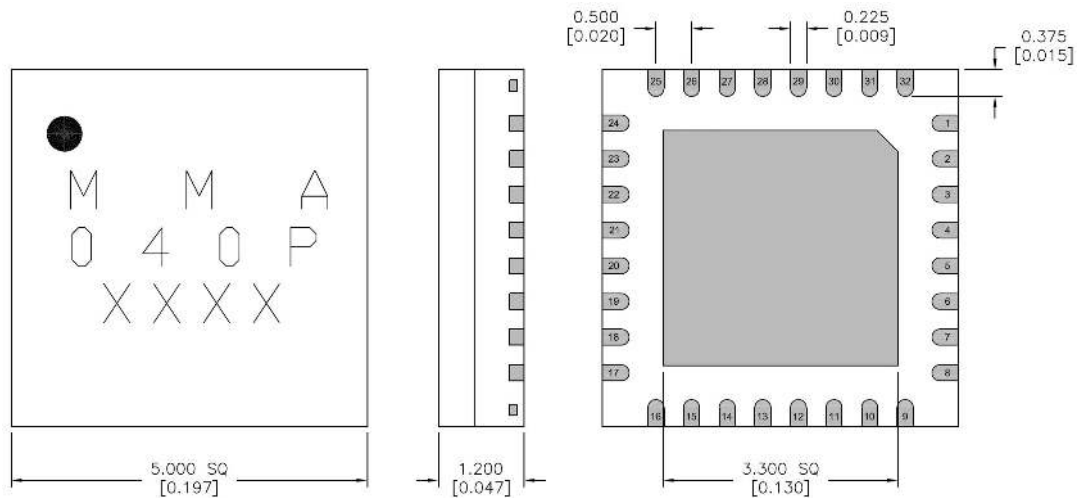
## 4 Package Specification

This section details the package specifications of the MMA040PP5 device.

### 4.1 Package Outline Drawing

The following illustration shows the package outline of the MMA040PP5 device. Dimensions are in millimeters [inches].

Figure 16 • Package Outline



### 4.2 Package Information

The following table lists the package information of the MMA040PP5 device. For additional packaging information, contact your Microsemi sales representative.

Table 3 • Package Information

Part Number	Package Body Material	Lead Finish	MSL Rating	Package Marking
MMA040PP5	Low-stress injection molded plastic	Ni/Pd/Au	TBD	MMA 040P wwyy

## 4.3 Pin Descriptions

The following table provides pin description information of the MMA040PP5 device.

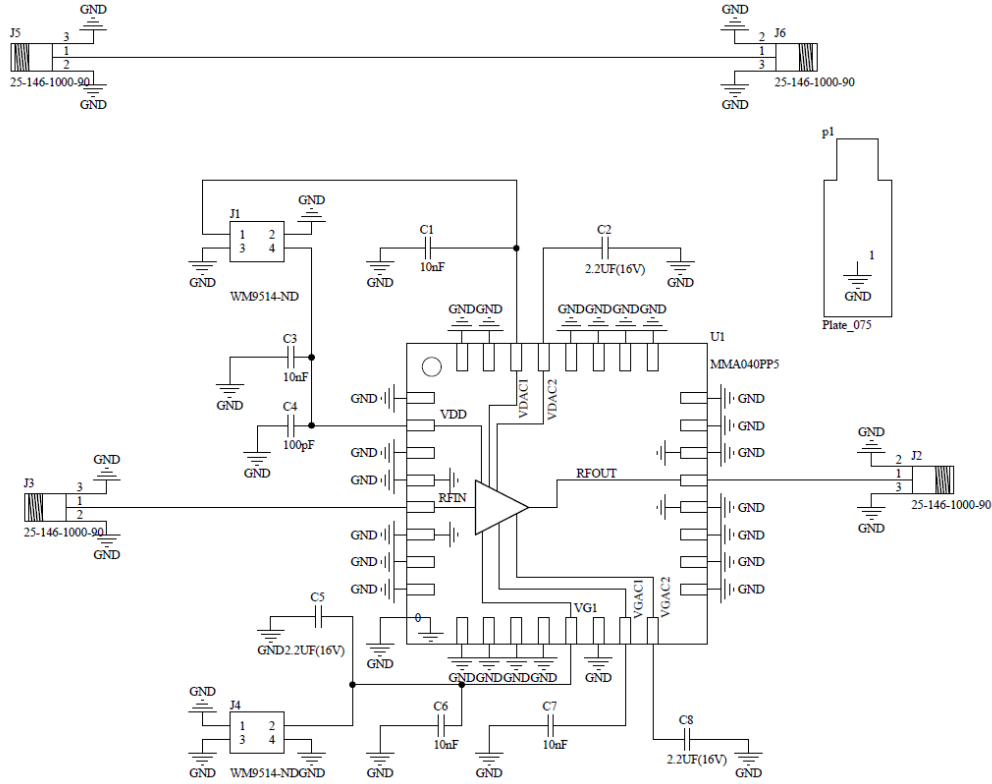
**Table 4 • Pin Descriptions**

Pin Number	Pin Name	Description
1, 3, 7, 8, 9, 10, 11, 12, 14, 17, 18, 19, 23, 24, 25, 26, 27, 28, 31, 32	N/C	These pins are not connected internally. All data was measured with these pins connected to RF/DC ground externally.
4, 6, 20, 22	GND	Ground paddle must be connected to RF/DC ground.
5	RFIN	This pin is DC-coupled and matched to 50 $\Omega$ .
13	VG1	Gate control for the amplifier.
15, 16	VGAC1, VG1B	Low-frequency termination. Connect bypass capacitors per application circuit below.
29, 30	VDAC1, VDAC2	Low-frequency termination. Connect bypass capacitors per application circuit below.
21	RFOUT	This pin is DC-coupled and matched to 50 $\Omega$ .
2	VDD	Power supply voltage for the amplifier. External bypass capacitors are required.
Backside paddle	RF/DC GND	RF/DC ground.

## 4.4 Application Circuit

The following illustration shows the application circuit of the MMA040PP5 device.

Figure 17 • Application Circuit



## 5 Handling Recommendations

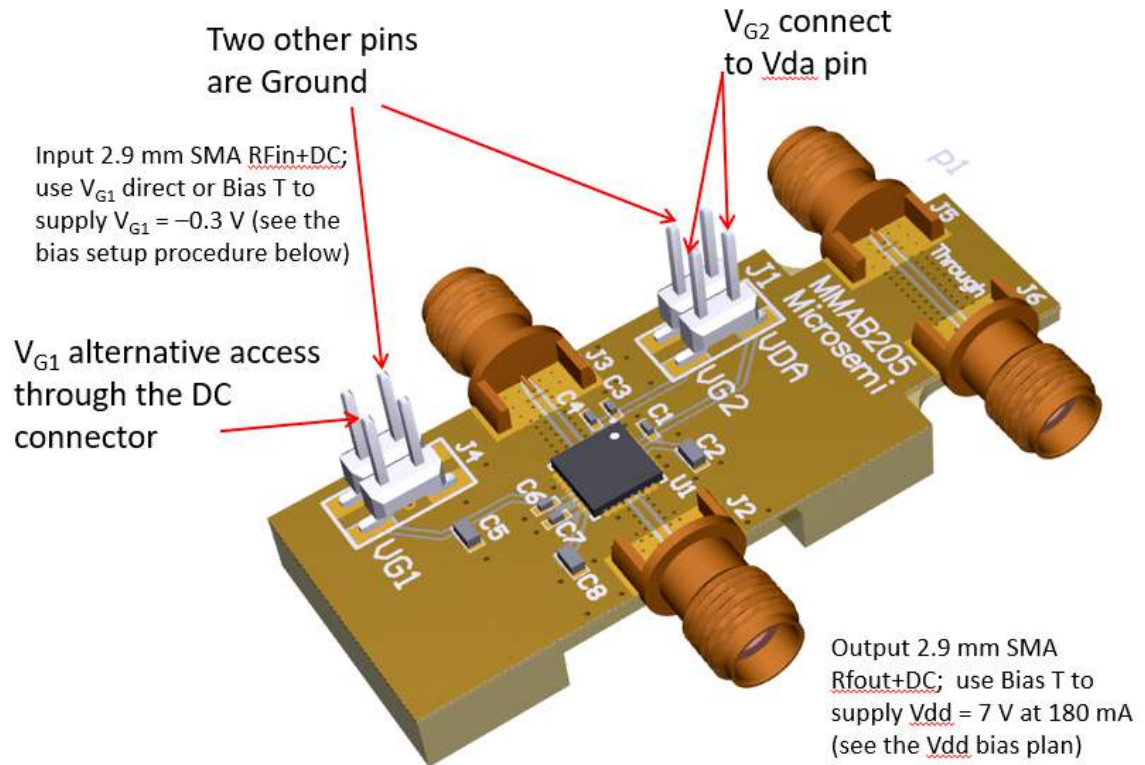
---

Gallium arsenide integrated circuits are sensitive to electrostatic discharge (ESD) and can be damaged by static electricity. It is recommended to follow all procedures and guidelines outlined in the Microsemi application note [AN01 GaAs MMIC Handling and Die Attach Recommendations](#).

## 6 Evaluation Board Information

The following illustration shows the application circuit of the MMA040PP5 device.

**Figure 18 • Evaluation Board**



The circuit board used in the application should be generated with proper RF circuit design techniques. Signal lines at the RF port should have  $50\ \Omega$  impedance, and the package ground leads and backside ground paddle should be connected directly to the ground plane similar to the previous image.

**Table 5 • Materials for Evaluation Board**

Item	Description
C1, C3, C6, C7	CAP 10 nF 50 V –20% to +80% 0402 (1005 metric) thickness 0.6 mm SMD
C2, C5, C8	2.2 $\mu$ F 16 V ceramic capacitor X5R 0603 (1608 metric) 0.063" L $\times$ 0.031" W (1.60 mm $\times$ 0.80 mm)
C4	CAP 100 pF 50 V $\pm$ 10% 0402 (1005 metric) thickness 0.6 mm SMD
J1, J4	Header, 2-pin, dual row
J2, J3, J5, J6	CONN 2.9 mm female PCB edge mount .012 pin
P1	Plate 749-MM-0198
U1	MMIC MMA040PP5

## 7 Ordering Information

---

The following table lists the ordering information for the MMA040PP5 device.

**Table 6 • Ordering Information**

Part Number	Package
MMA040PP5	5 mm × 5 mm plastic QFN package
MMA040PP5E	Evaluation board for MMA040PP5

**Microsemi Corporate Headquarters**

One Enterprise, Aliso Viejo,  
 CA 92656 USA  
 Within the USA: +1 (800) 713-4113  
 Outside the USA: +1 (949) 380-6100  
 Fax: +1 (949) 215-4996  
 Email: [sales.support@microsemi.com](mailto:sales.support@microsemi.com)  
[www.microsemi.com](http://www.microsemi.com)

© 2017 Microsemi Corporation. All rights reserved. Microsemi and the Microsemi logo are trademarks of Microsemi Corporation. All other trademarks and service marks are the property of their respective owners.

Microsemi makes no warranty, representation, or guarantee regarding the information contained herein or the suitability of its products and services for any particular purpose, nor does Microsemi assume any liability whatsoever arising out of the application or use of any product or circuit. The products sold hereunder and any other products sold by Microsemi have been subject to limited testing and should not be used in conjunction with mission-critical equipment or applications. Any performance specifications are believed to be reliable but are not verified, and Buyer must conduct and complete all performance and other testing of the products, alone and together with, or installed in, any end-products. Buyer shall not rely on any data and performance specifications or parameters provided by Microsemi. It is the Buyer's responsibility to independently determine suitability of any products and to test and verify the same. The information provided by Microsemi hereunder is provided "as is, where is" and with all faults, and the entire risk associated with such information is entirely with the Buyer. Microsemi does not grant, explicitly or implicitly, to any party any patent rights, licenses, or any other IP rights, whether with regard to such information itself or anything described by such information. Information provided in this document is proprietary to Microsemi, and Microsemi reserves the right to make any changes to the information in this document or to any products and services at any time without notice.

Microsemi Corporation (Nasdaq: MSCC) offers a comprehensive portfolio of semiconductor and system solutions for aerospace & defense, communications, data center and industrial markets. Products include high-performance and radiation-hardened analog mixed-signal integrated circuits, FPGAs, SoCs and ASICs; power management products; timing and synchronization devices and precise time solutions, setting the world's standard for time; voice processing devices; RF solutions; discrete components; enterprise storage and communication solutions; security technologies and scalable anti-tamper products; Ethernet solutions; Power-over-Ethernet ICs and midspans; as well as custom design capabilities and services. Microsemi is headquartered in Aliso Viejo, California, and has approximately 4,800 employees globally. Learn more at [www.microsemi.com](http://www.microsemi.com).