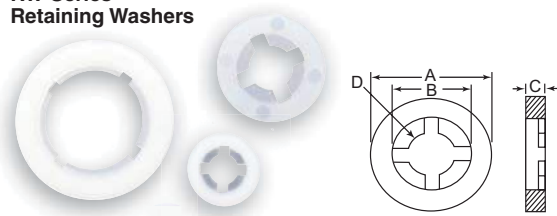




RW Series Retaining Washers



Specifications:

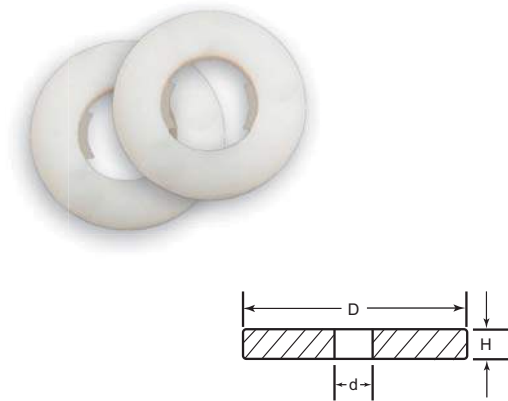
- Material: Nylon
- Color: Natural

Features:

- I.D. designed to grip outside of screw shank
- Easily slides on to the screw but is retained by the screw once assembled
- Used in applications requiring pre-assembly of the screw and washer
- Reduces assembly time and cost

Item No.	Screw Size	A		B		C		D		Pack Qty.
		In	mm	In	mm	In	mm	In	mm	
RW2032A	#2	0.203	5.16	0.115	2.92	0.032	0.81	0.078	1.98	1,000
RW2062A	#2	0.203	5.16	0.115	2.92	0.062	1.57	0.078	1.98	1,000
RW4032A	#4	0.265	6.73	0.156	3.96	0.032	0.81	0.102	2.59	1,000
RW4050A	#4	0.250	6.35	0.156	3.96	0.050	1.27	0.102	2.59	1,000
RW4062A	#4	0.265	6.73	0.156	3.96	0.062	1.57	0.102	2.59	1,000
RW4125A	#4	0.265	6.73	0.156	3.96	0.125	3.18	0.102	2.59	1,000
RW6032A	#6	0.328	8.33	0.198	5.03	0.032	0.81	0.128	3.25	1,000
RW6062A	#6	0.328	8.33	0.198	5.03	0.062	1.57	0.128	3.25	1,000
RW7062A	#7	0.750	19.05	0.375	9.53	0.062	1.57	0.215	5.46	1,000
RW8032A	#8	0.390	9.91	0.235	5.97	0.032	0.81	0.152	3.86	1,000
RW8045A	#8	0.453	11.51	0.218	5.54	0.045	1.14	0.135	3.43	1,000
RW8062A	#8	0.390	9.91	0.235	5.97	0.062	1.57	0.152	3.86	1,000
RW10032A	#10	0.453	11.51	0.277	7.04	0.032	0.81	0.177	4.50	1,000
RW10062A	#10	0.453	11.51	0.277	7.04	0.062	1.57	0.177	4.50	1,000
RW250032A	1/4	0.593	15.06	0.375	9.53	0.032	0.81	0.234	5.94	1,000
RW250062A	1/4	0.593	15.06	0.375	9.53	0.062	1.57	0.234	5.94	1,000
RW312032A	5/16	0.734	18.64	0.470	11.94	0.032	0.81	0.292	7.42	1,000
RW312062A	5/16	0.734	18.64	0.470	11.94	0.062	1.57	0.292	7.42	1,000
RW375032A	3/8	0.890	22.61	0.564	14.33	0.032	0.81	0.350	8.89	1,000
RW375062A	3/8	0.890	22.61	0.564	14.33	0.062	1.57	0.350	8.89	1,000
RW437032A	7/16	1.031	26.19	0.570	14.48	0.032	0.81	0.410	10.41	500
RW437062A	7/16	1.031	26.19	0.570	14.48	0.062	1.57	0.410	10.41	500
RW500032A	1/2	1.125	28.58	0.690	17.53	0.032	0.81	0.468	11.89	500
RW500062A	1/2	1.125	28.58	0.690	17.53	0.062	1.57	0.468	11.89	500
RW875062A	7/8	1.343	34.11	0.940	23.88	0.062	1.57	0.825	20.96	500

RWM Series Metric Retaining Washers



Specifications:

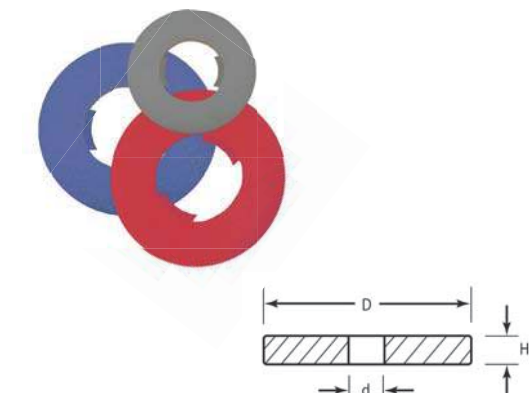
- Material: Nylon
- Color: Natural

Features:

- Designed to grip outside of screw shank
- Easily slides on to the screw but is retained by the screw once assembled
- Ideal for applications requiring pre-assembly of the screw and washer
- Reduces assembly time and cost
- Ideal for outdoor environments
- Resistant to corrosion, oil, abrasion and most chemicals

Item No.	Screw Size	D (OD) mm	d (ID) mm	H (Thickness) mm	Pack Qty.
RWM050A	M2	5.00	2.70	1.50	1,000
RWM100A	M3	5.50	3.20	2.20	1,000
RWM150A	M3	9.00	3.20	1.50	1,000
RWM200A	M4	7.00	4.30	2.30	1,000
RWM250A	M4	12.00	4.30	1.40	1,000
RWM300A	M5	8.50	5.30	2.80	1,000
RWM350A	M5	11.50	5.30	1.40	1,000
RWM400A	M6	10.00	6.40	2.80	1,000
RWM450A	M6	18.00	6.40	2.00	500
RWM500A	M8	13.00	8.40	2.80	500
RWM550A	M10	21.00	10.50	2.50	500

015XXXXXX03 Retaining PE Flat Washer



Specifications:

- Material: Polyethylene

Features:

- Designed to grip outside of screw shank
- Easily slides on to the screw but is retained by the screw once assembled
- Ideal for applications requiring pre-assembly of the screw and washer
- Reduces assembly time and cost

Item No.	Color	Ø"d" I.D.	Ø"D" O.D.	"H"	Fits Screw	Pack Qty.
015002500503	Red	.106 (2.7)	.256 (6.5)	.043 (1.1)	#3 (M2.5)	1,000
015003000503	Red	.126 (3.2)	.276 (7)	.055 (1.4)	#5 (M3)	1,000
015004000503	Red	.169 (4.3)	.354 (9)	.043 (1.1)	#8 (M4)	1,000
015005000503	Red	.209 (5.3)	.433 (11)	.051 (1.3)	#10 (M5)	1,000
015006000503	Red	.252 (6.4)	.472 (12)	.063 (1.6)	1/4 (M6)	500
015008000503	Red	.331 (8.4)	.669 (17)	.079 (2)	5/16 (M7)	500
015102500203	Grey	.106 (2.7)	.197 (5)	.059 (1.5)	#3 (M2.5)	1,000
015103000203	Grey	.126 (3.2)	.217 (5.5)	.083 (2.1)	#5 (M3)	1,000
015104000203	Grey	.169 (4.3)	.276 (7)	.087 (2.2)	#8 (M4)	1,000
015105000203	Grey	.209 (5.3)	.335 (8.5)	.106 (2.7)	#10 (M5)	1,000
015106000203	Grey	.252 (6.4)	.394 (10)	.106 (2.7)	1/4 (M6)	1,000
015108000203	Grey	.331 (8.4)	.512 (13)	.106 (2.7)	5/16 (M7)	500
015202508703	Blue	.106 (2.7)	.197 (5)	.039 (1)	#3 (M2.5)	1,000
015203008703	Blue	.126 (3.2)	.236 (6)	.039 (1)	#5 (M3)	1,000
015204008703	Blue	.169 (4.3)	.315 (8)	.039 (1)	#8 (M4)	1,000
015205008703	Blue	.209 (5.3)	.394 (10)	.039 (1)	#10 (M5)	1,000
015206008703	Blue	.252 (6.4)	.433 (11)	.059 (1.5)	1/4 (M6)	1,000
015208008703	Blue	.331 (8.4)	.591 (15)	.059 (1.5)	5/16 (M7)	500
01521,0008703	Blue	.413 (10.5)	.709 (18)	.059 (1.5)	3/8 (M10)	500