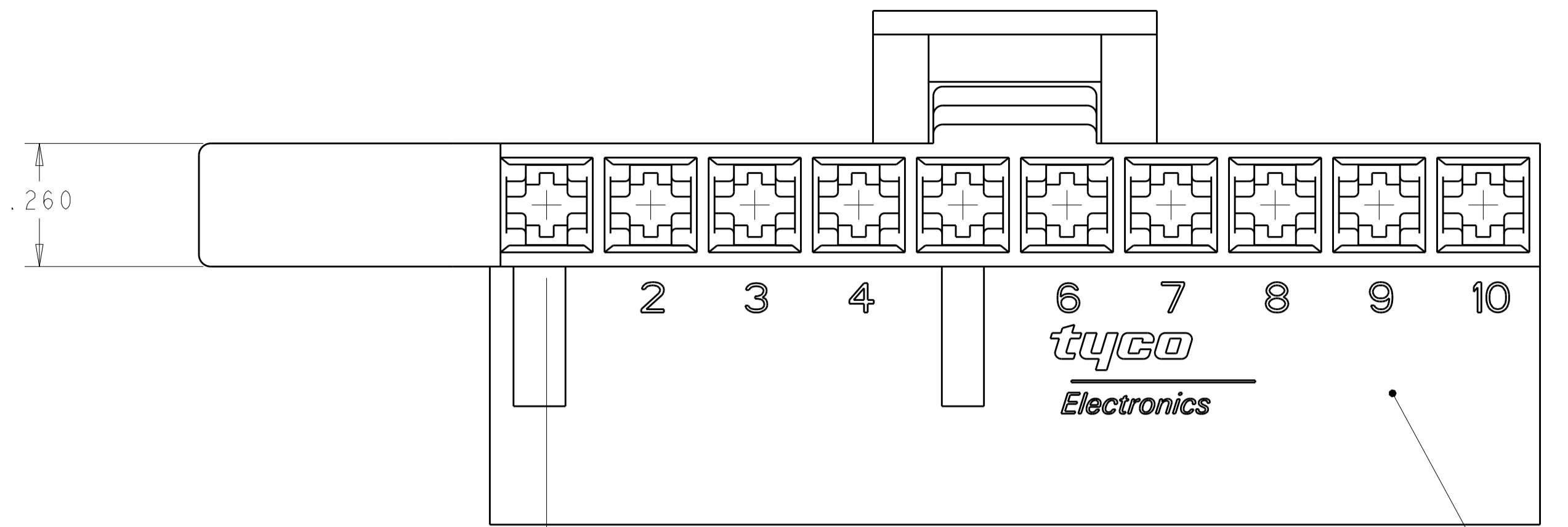
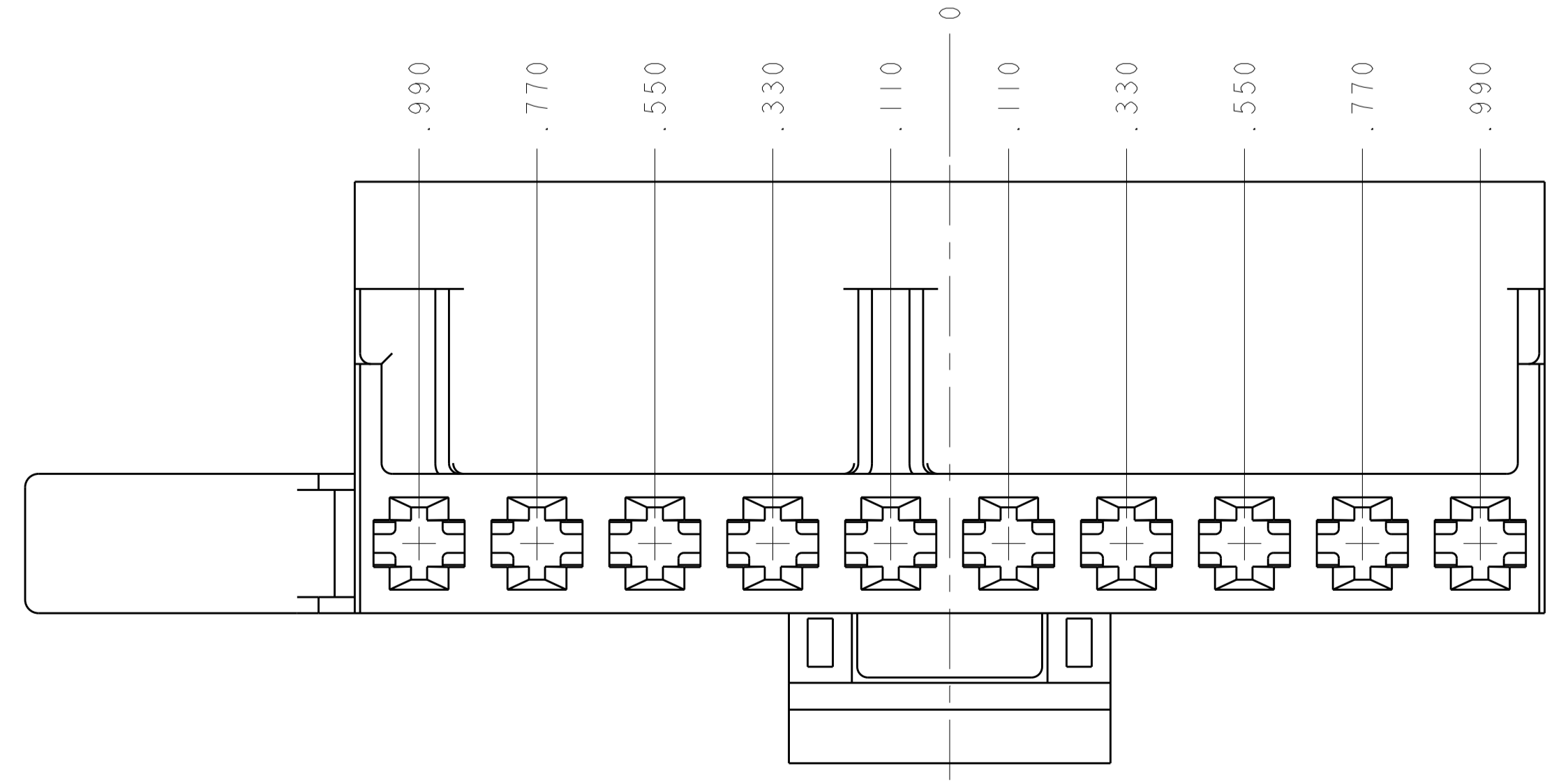
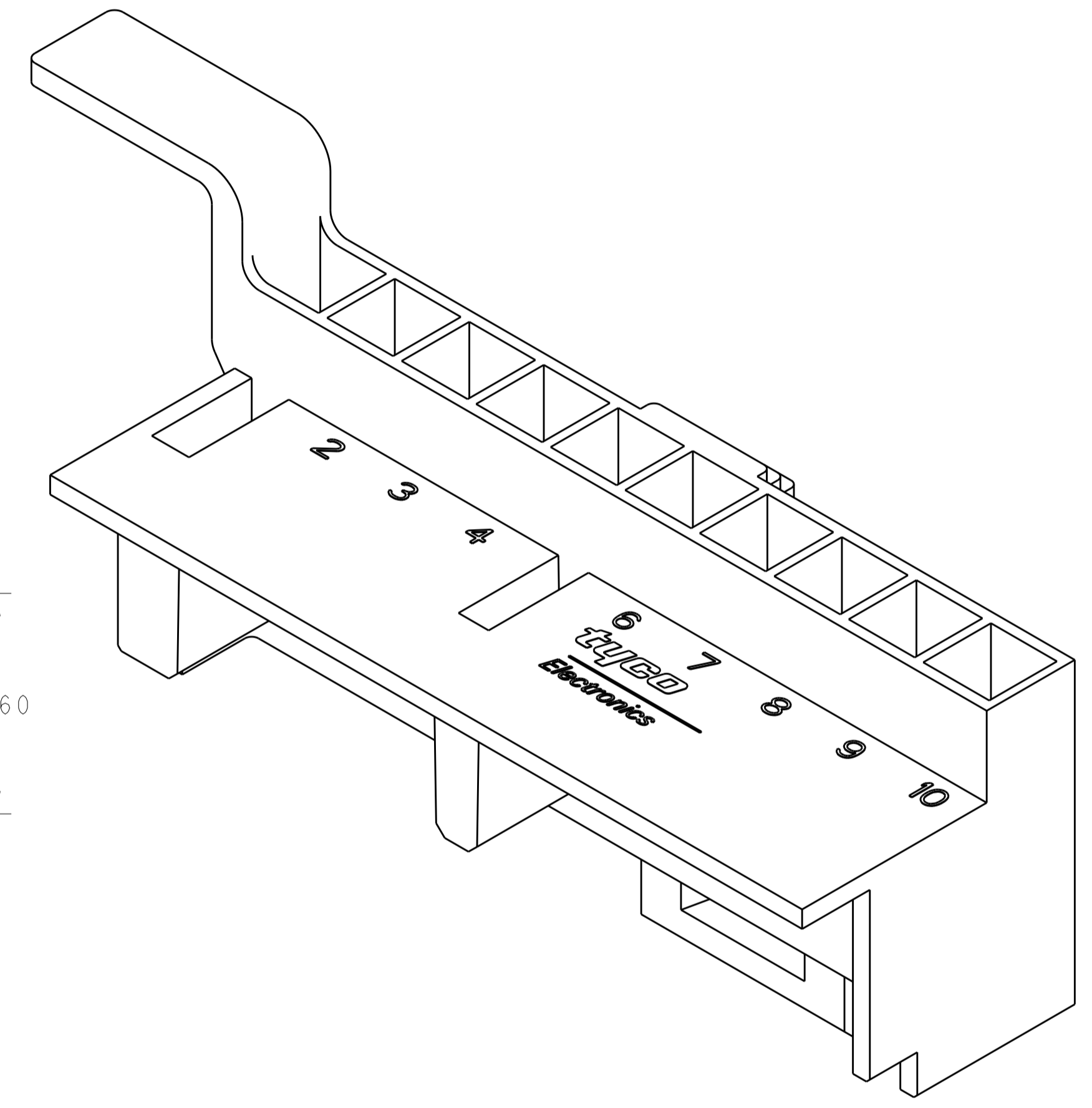
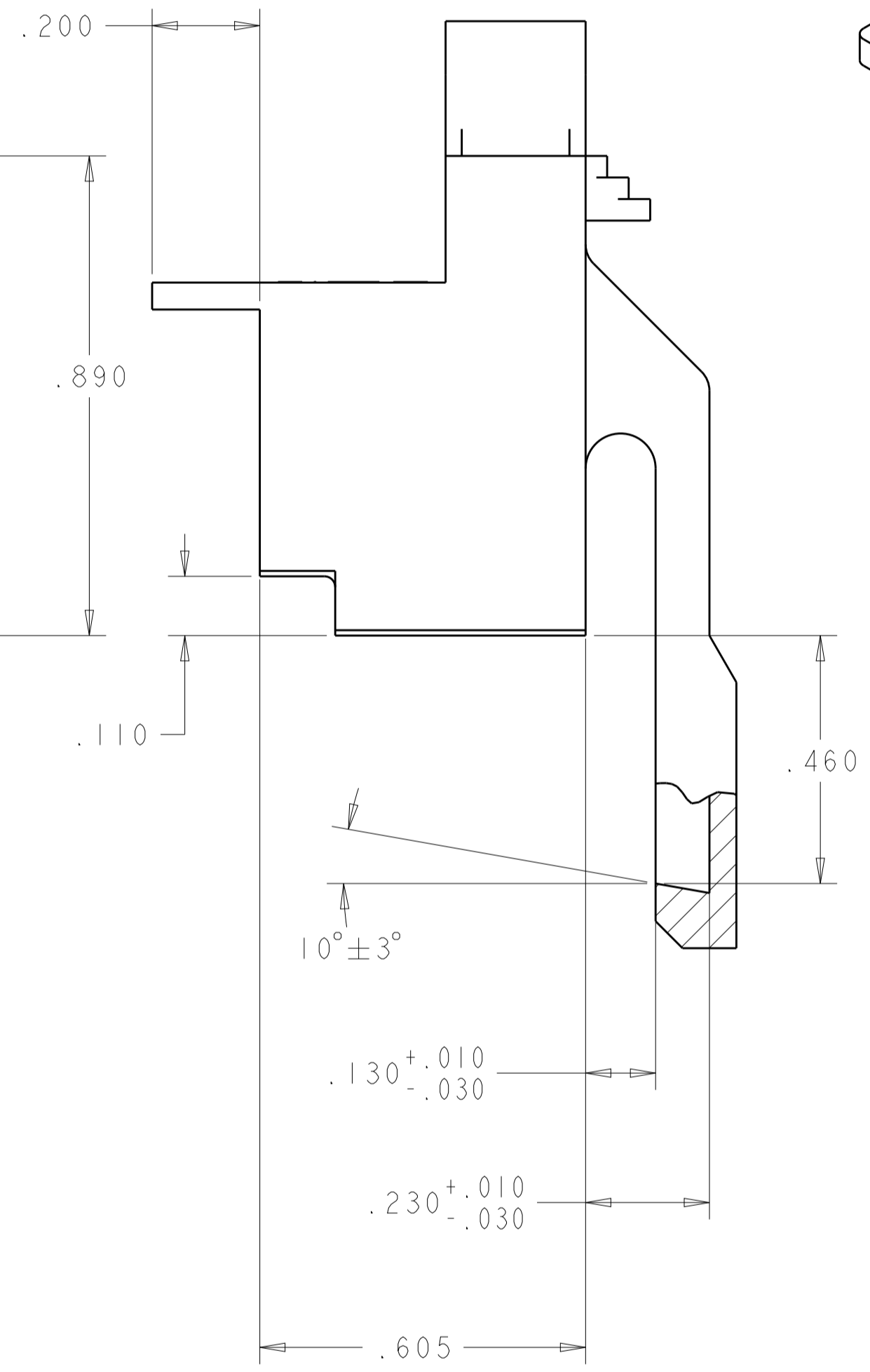
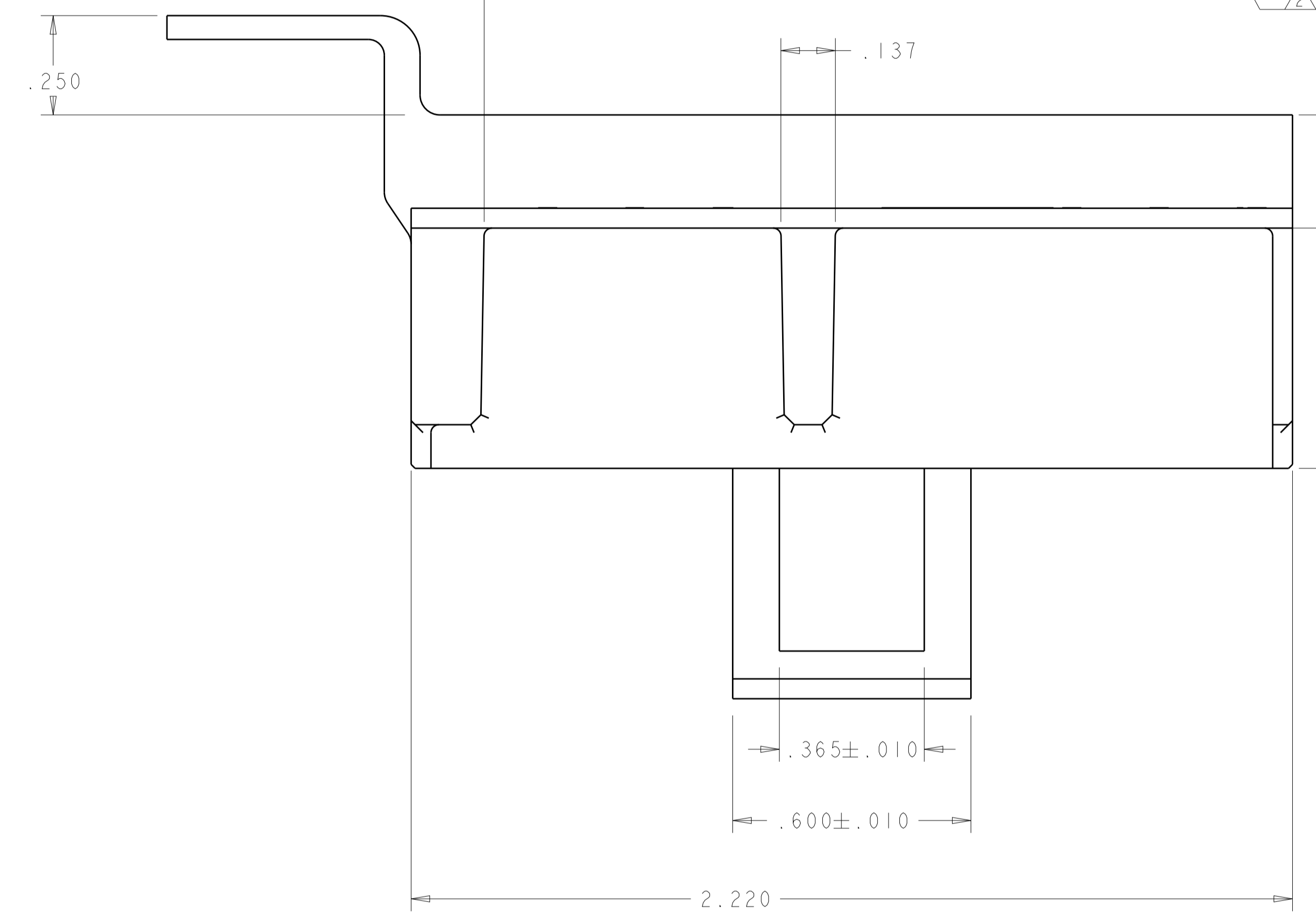


LOC		DIST		REVISIONS			
P	LTH	DESCRIPTION	DATE	DWN	APVD		
P		REVISED PER ECR-12-004046	06MAR2012	KH	GJ		
P1		REVISED PER ECR-18-002453	07MAR2018	BDA	DS		



1 HOUSING ACCEPTS (10) .125 BLADE RECEPTACLES, TYCO P/N 1217039-1
 2 DFE SYMBOL, SEE TABLE, LOCATED APPROXIMATELY AS SHOWN.



	>PA<	COLOR	MATERIAL	PART NUMBER
	>PA<	NATURAL	NYLON 66 UL94, V0	521680-6
OBSOLETE	>PA<	BLUE	NYLON, V0	521680-5
OBSOLETE	>PA<	NATURAL	NYLON 66 UL94 V0	521680-4
OBSOLETE	>PA<	BLUE	NYLON, V2	521680-3
OBSOLETE	>PA<	BLACK	NYLON, V0	521680-2
	>PA<	NATURAL	NYLON, V2	521680-1

THIS DRAWING IS A CONTROLLED DOCUMENT. DWN: R FLAIG 14OCT2003
 CHK: D DECKER 14OCT2003
 APVD: D DECKER 14OCT2003

TE TE Connectivity

NAME: MOTOR HOUSING, 10 POSITION

SIZE: A1 CAGE CODE: 00779 DRAWING NO: 521680 RESTRICTED TO: P

MATERIAL: FINISH: WEIGHT: CUSTOMER DRAWING SCALE: 4:1 SHEET 1 OF 1 REV: P1