

REVISIONS

P	LTR	DESCRIPTION	DATE	DWN	APVD
-	-	SEE SHEET 1	-	-	-

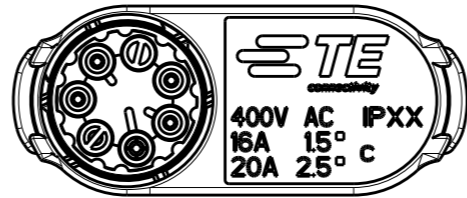
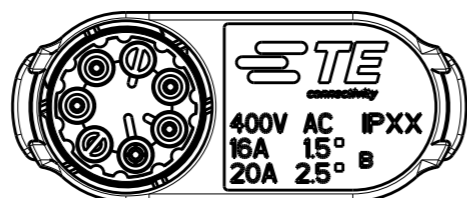
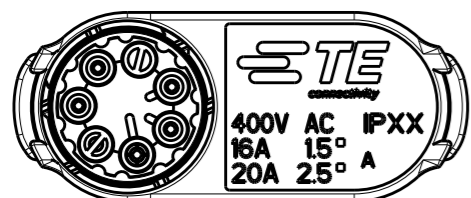
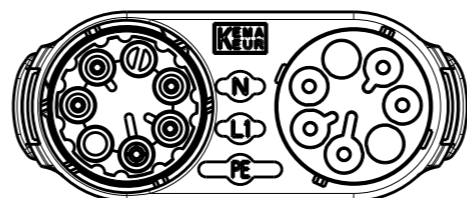
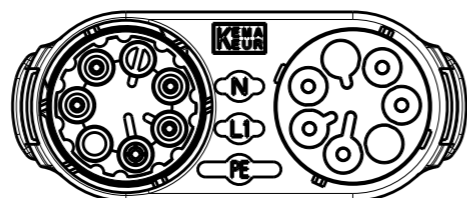
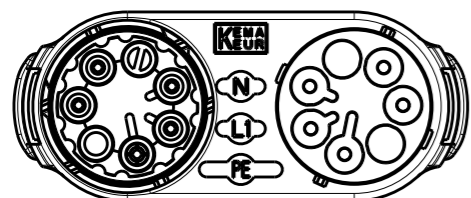
POLARISATION KEYS

SCALE 1:1

TYPE "A-A"

TYPE "B-B"

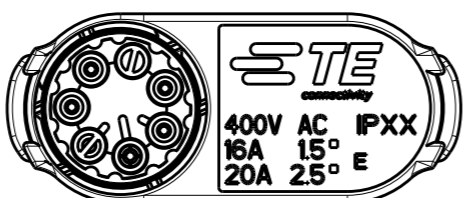
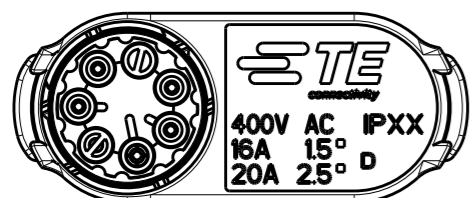
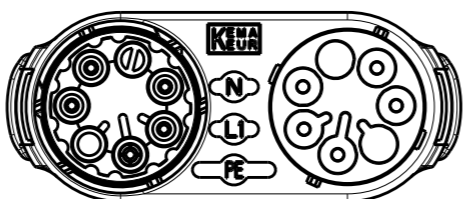
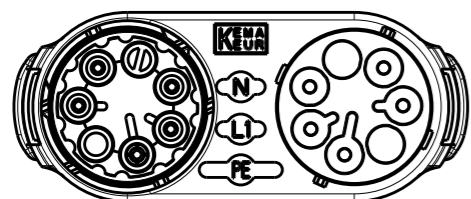
TYPE "C-C"



P/N 1879999-1
TYPE "D-D"

P/N ~~1879999-2~~
TYPE "E-E"

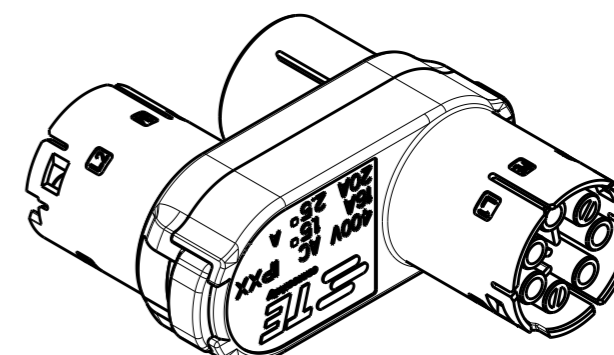
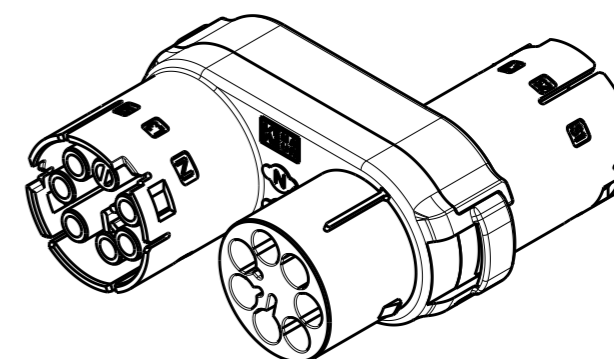
P/N ~~1879999-3~~



P/N ~~1879999-4~~

P/N ~~1879999-5~~

3D VIEWS.
FOR REFERENCE ONLY



SCALE 1:1

THIS DRAWING IS A CONTROLLED DOCUMENT.

DIMENSIONS: mm		TOLERANCES UNLESS OTHERWISE SPECIFIED:	
		0 PLC	±0.3
		1 PLC	±0.20
		2 PLC	±0.20
		3 PLC	±0.20
		4 PLC	±0.20
MATERIAL		FINISH	
-		-	

DWN	M. ZUCCA	08MAY2013
CHK	M. ZUCCA	08MAY2013
APVD	J. CATCHPOLE	08MAY2013
PRODUCT SPEC	-	
APPLICATION SPEC	-	
WEIGHT	-	
Customer Drawing		



NAME NECTOR M-LINE 5 POLES T-SPLITTER CONNECTOR SEALED VERSION			
SIZE	CAGE CODE	DRAWING NO	RESTRICTED TO
A3	-	C-1879999	-
SCALE 2:1		SHEET 2 OF 3	REV B1

THIS DRAWING IS UNPUBLISHED.

RELEASED FOR PUBLICATION

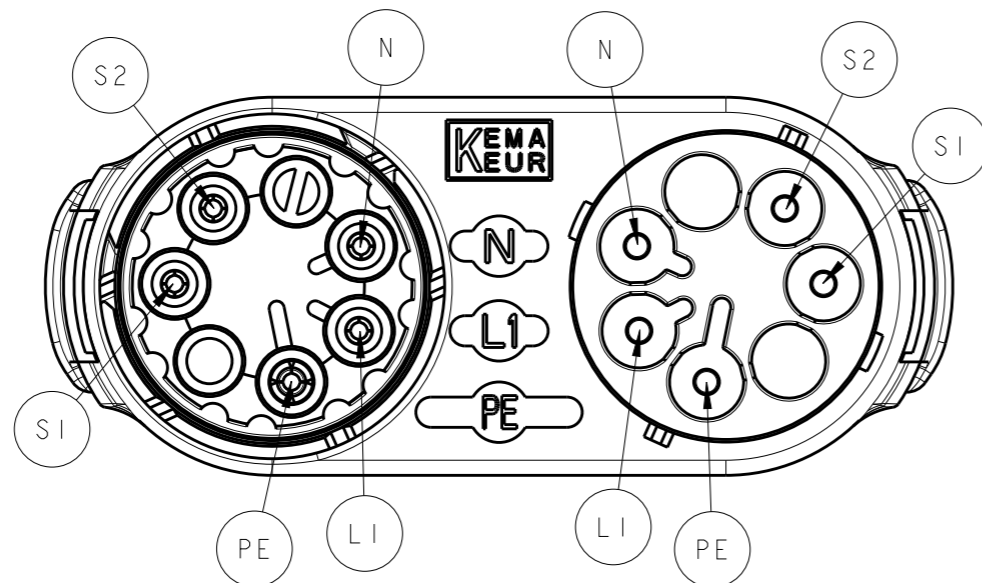
2013

© COPYRIGHT 2013 BY -

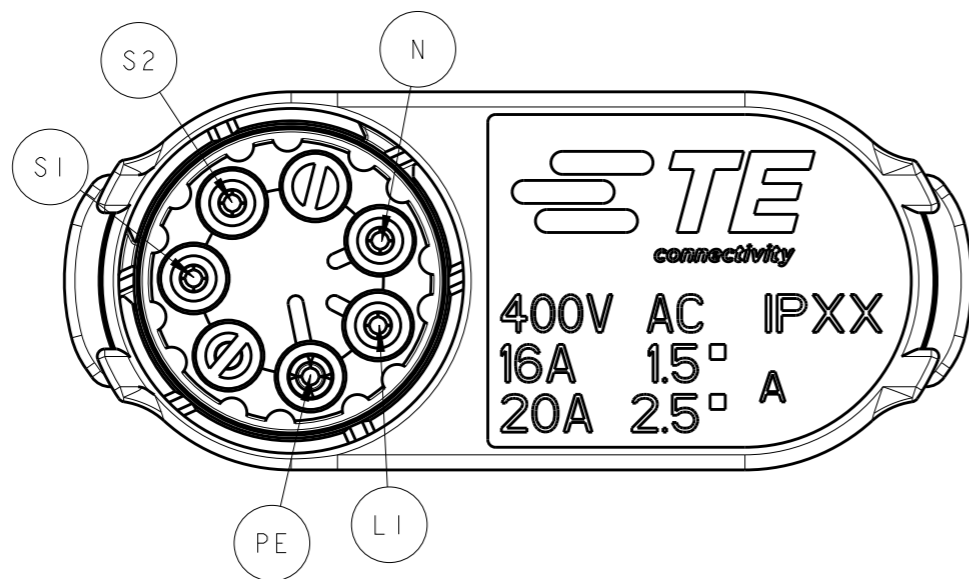
ALL RIGHTS RESERVED.

REVISIONS

P	LTR	DESCRIPTION	DATE	DWN	APVD
-	-	SEE SHEET 1	-	-	-



ADDITIONAL DETAILS ON CAVITY CIRCUIT POSITION. FOR INFORMATION ONLY



THIS DRAWING IS A CONTROLLED DOCUMENT.

DIMENSIONS:

mm



TOLERANCES UNLESS OTHERWISE SPECIFIED:

- 0 PLC ±-
- 1 PLC ±0.3
- 2 PLC ±0.20
- 3 PLC ±-
- 4 PLC ±-
- ANGLES ±3°

MATERIAL

FINISH

DWN M. ZUCCA 08MAY2013

CHK M. ZUCCA 08MAY2013

APVD J. CATCHPOLE 08MAY2013

PRODUCT SPEC

APPLICATION SPEC

WEIGHT

Customer Drawing



TE Connectivity

NAME

NECTOR M-LINE 5 POLES T-SPLITTER CONNECTOR SEALED VERSION

SIZE

A3

CAGE CODE

-

DRAWING NO

C-1879999

RESTRICTED TO

-

SCALE 2:1

SHEET 3 OF 3

REV B1