

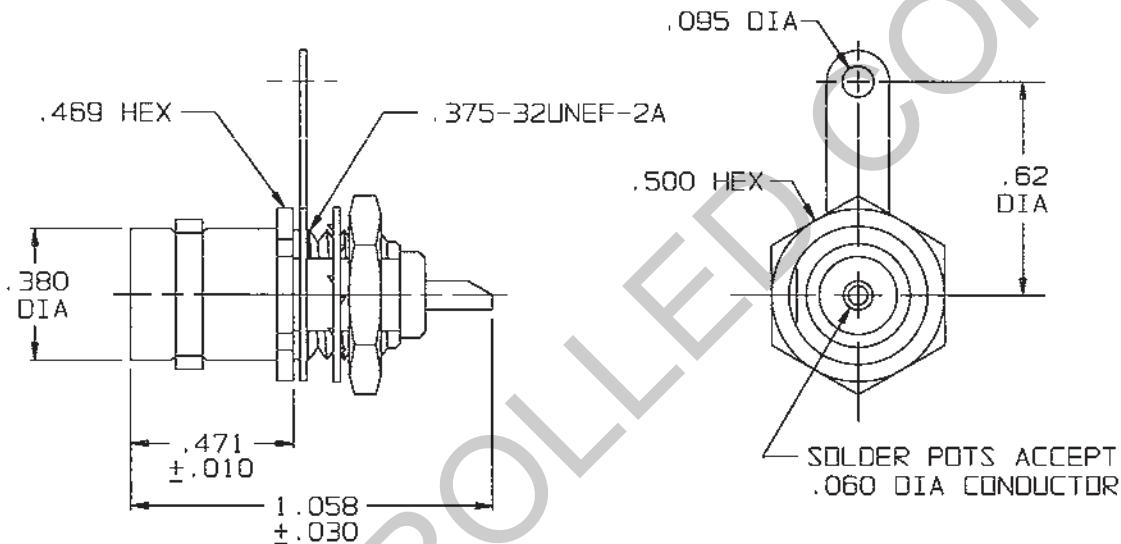
RED INDICATES ORIGINAL

DATA CONTAINED IN THIS DOCUMENT IS PROPRIETARY TO TROMPETER ELECTRONICS INC. AND SHALL NOT BE DISCLOSED, COPIED OR USED FOR PROCUREMENT OR MANUFACTURE WITHOUT EXPRESS WRITTEN PERMISSION.

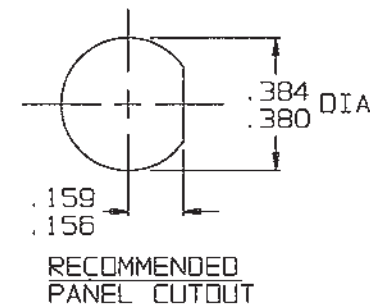
DWG SIZE
A

REVISIONS			105-0977		SH 1C
REV	ECO	DESCRIPTION	OWN	APPROVED	DATE
B	12542	REVISED REDRAWN AND GENERAL UPDATE; CHANGED ITEM 2, S/B 5413-20; SEE ECO	DKC	<i>[Signature]</i>	7/14/95

INCH	MM
.005	0.13
.030	0.76
.095	2.41
.125	3.18
.156	3.96
.159	4.04
.380	9.65
.384	9.75
.469	11.91
.471	11.96
.500	12.70
.62	15.75
1.058	26.87



-1 SHOWN



5. PURCHASE FROM SEASTROM MFG CO.
800 634-2356

4. COAXIAL BNC TYPE SOLDER POT BULKHEAD MOUNT RECEPTACLE, 50 & 75 OHM VERSIONS WITH SOLDER LUG

3. MAX PANEL THK .125

2. FINISH: TFS-1A (NICKEL)

1. ALL DIM ARE IN INCHES

QTY	DESCRIPTION		PART NUMBER	ITEM
TOL UNLESS SPECIFIED	TROMPETER RF connectivity <small>a cinch connectivity solutions brand</small>		U/BJ20SL	
.XX ±	.XXX ±.005	.XXXX±	ANGLES±	
DWN	DKC	9-10-98	MATERIAL	CODE IDENT
CHK	<i>[Signature]</i>	9-14-99		14949
ENGR	<i>[Signature]</i>			
APPR	<i>[Signature]</i>	9-14-95	SCALE 2/1	DATE 1-27-97
NEXT ASSY				SHEET 1C

DRAWING NO. 105-0977
REV B