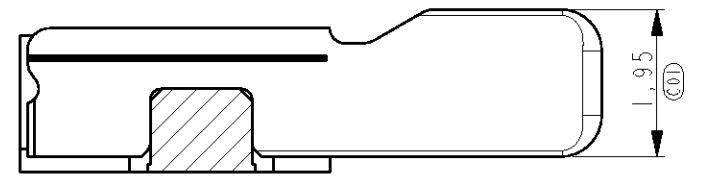
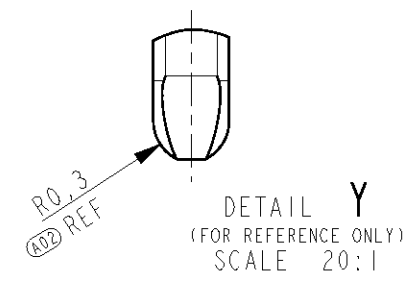


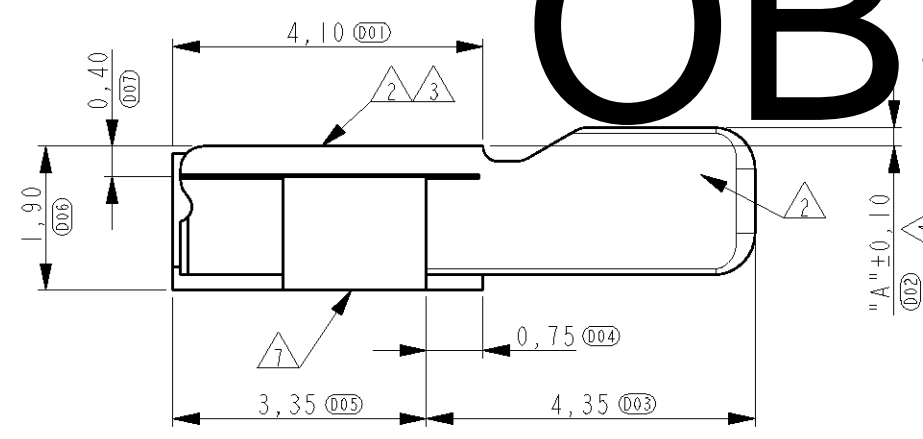
THIS DRAWING IS UNPUBLISHED. RELEASED FOR PUBLICATION
 © COPYRIGHT - BY - ALL RIGHTS RESERVED.

LOC	DIST	REVISIONS					
		P	LTR	DESCRIPTION	DATE	DWN	APVD
H	-		A	ECR-11-008319	20APR2011	PW	DH
			A1	OBSOLETE	29AUG2018	K.G	W.H

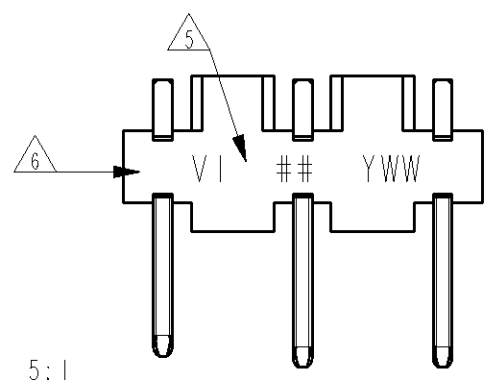
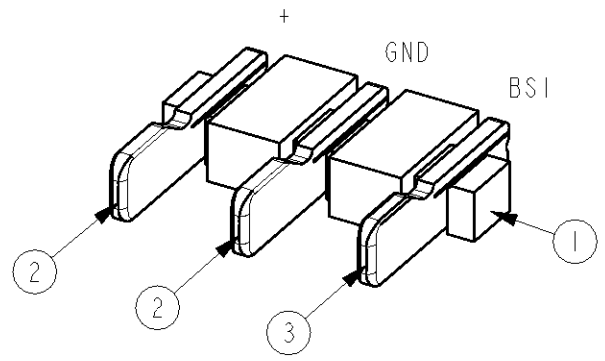
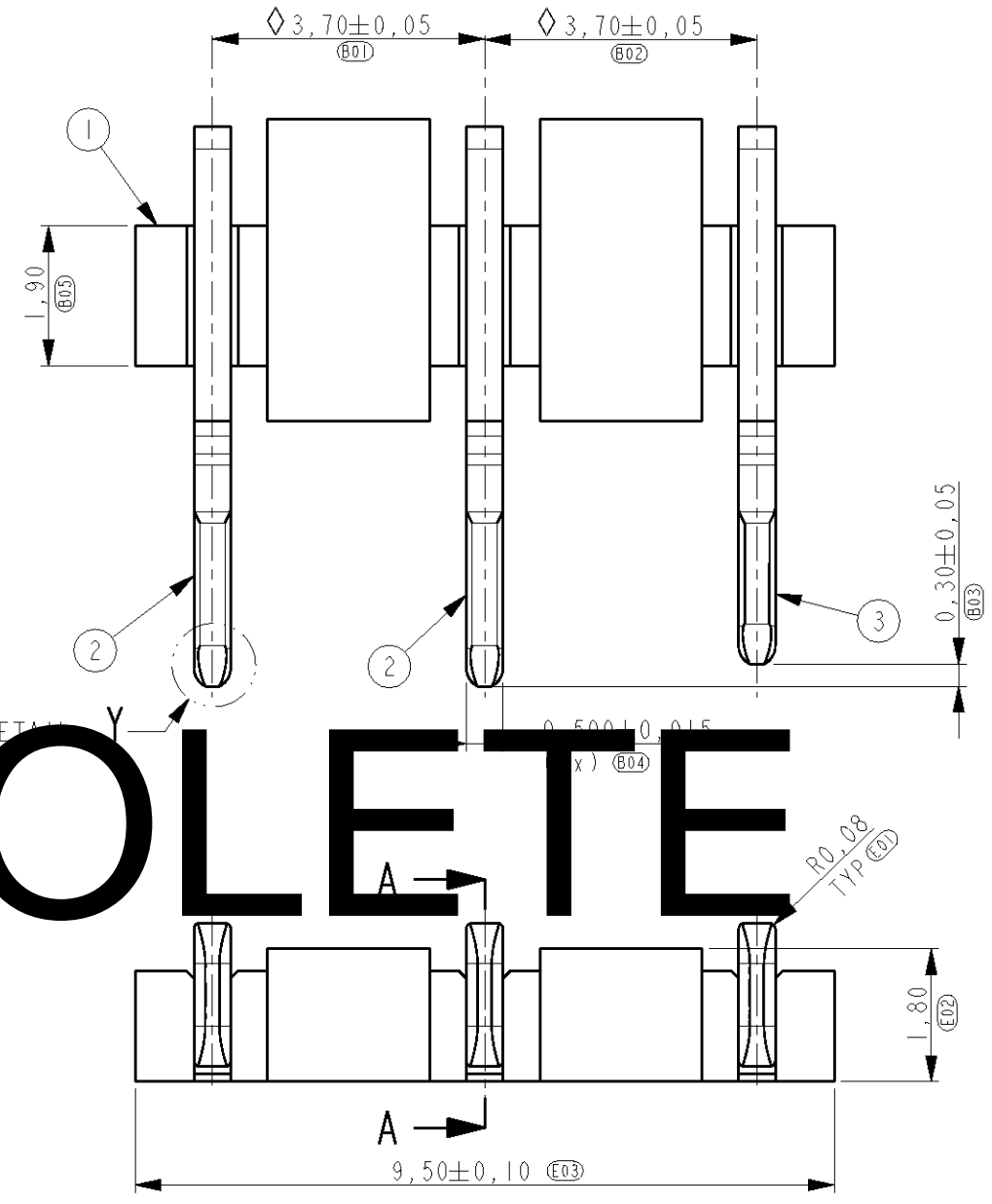
- NOTES:
- 1 DRAWING REPRESENTS PART VERSION "VI".
 - ◇ 2 PLATING:
 1,2µm MIN. NICKEL ALL OVER
 0,8µm MIN. GOLD ON CONTACT AREA
 0,1 - 0,3µm GOLD ON SOLDER AREA
 - ◇ 3 COPLANARITY OF SOLDER SURFACES 0,08 MAX.
 - ◇ 4 DIMENSION DEPENDS ON DISTANCE BETWEEN PWB AND BATTERY, SEE TABLE ON SHEET 3.
 - ◇ 5 MARKING: VERSION (VI), PROCESS ID (##), PRODUCTION DATE (YWW, YEAR AND WEEK).
 - ◇ 6 MARKING: CAVITY ID.
 - ◇ 7 PICK&PLACE AREA.



SECTION A-A



OBSOLETE



SCALE 5:1

ITEM NO.	DESCRIPTION	MATERIAL	FINISH
3	CONTACT, FIRST BREAK	COPPER ALLOY	GOLD PLATED
2	CONTACT, LAST BREAK	COPPER ALLOY	GOLD PLATED
1	HOUSING	PLASTIC, GF	-

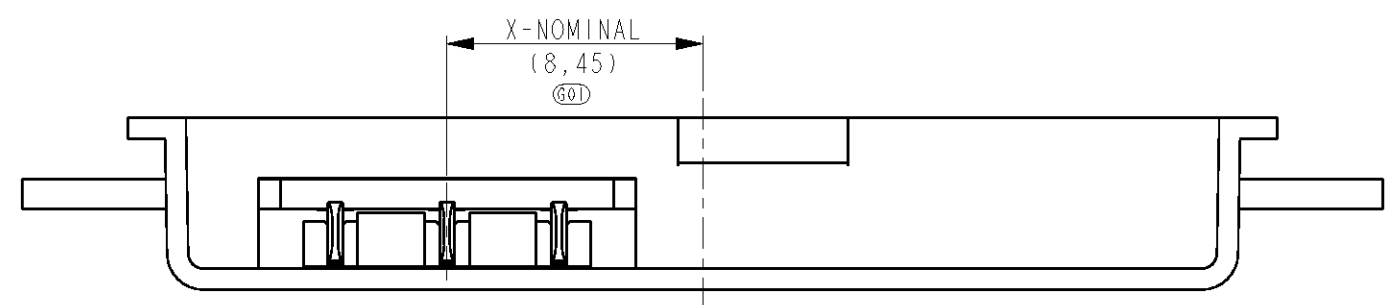
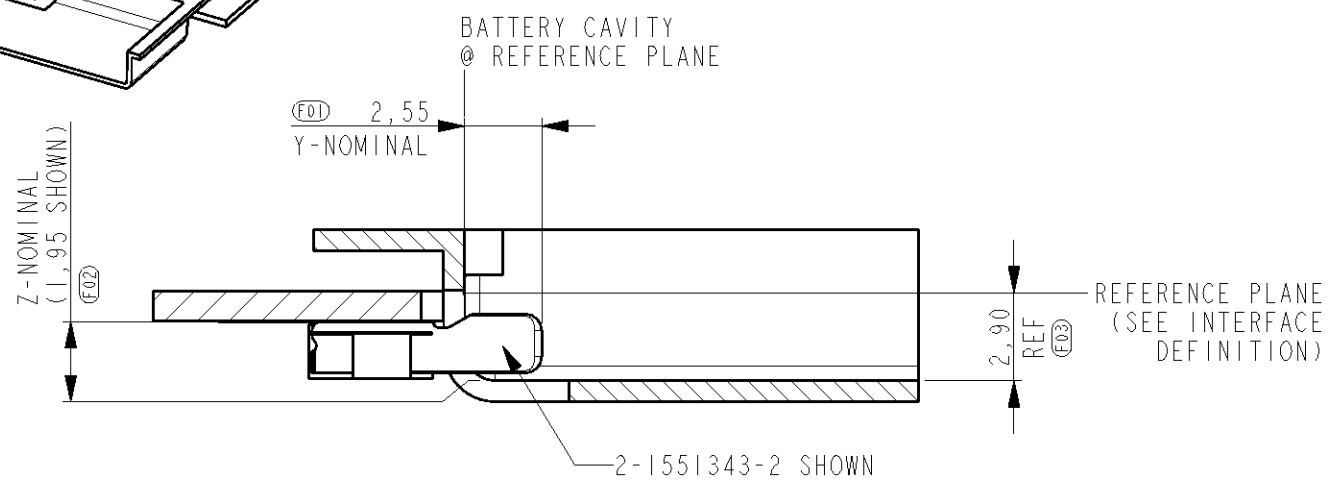
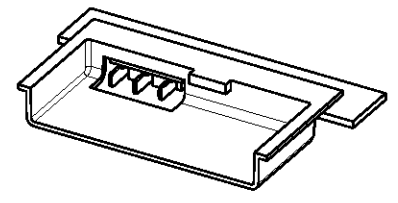
THIS DRAWING IS A CONTROLLED DOCUMENT.

DIMENSIONS: mm	TOLERANCES UNLESS OTHERWISE SPECIFIED: 0 PLC ±- 1 PLC ±0,2 2 PLC ±0,1 3 PLC ±- 4 PLC ±- ANGLES ±-	DWN P.Willems 17AUG2009 CHK P.Willems 17AUG2009 APVD D.Halberstadt 17AUG2009	TE Connectivity NAME PLUG CONNECTOR EDGE-TYPE ULTRA SHORT, 3 POSITION BATTERY BLOCK
MATERIAL -	FINISH -	PRODUCT SPEC 108-19276 APPLICATION SPEC 114-19088 WEIGHT -	

CUSTOMER DRAWING SCALE 10:1 SHEET 1 OF 5 REV A1

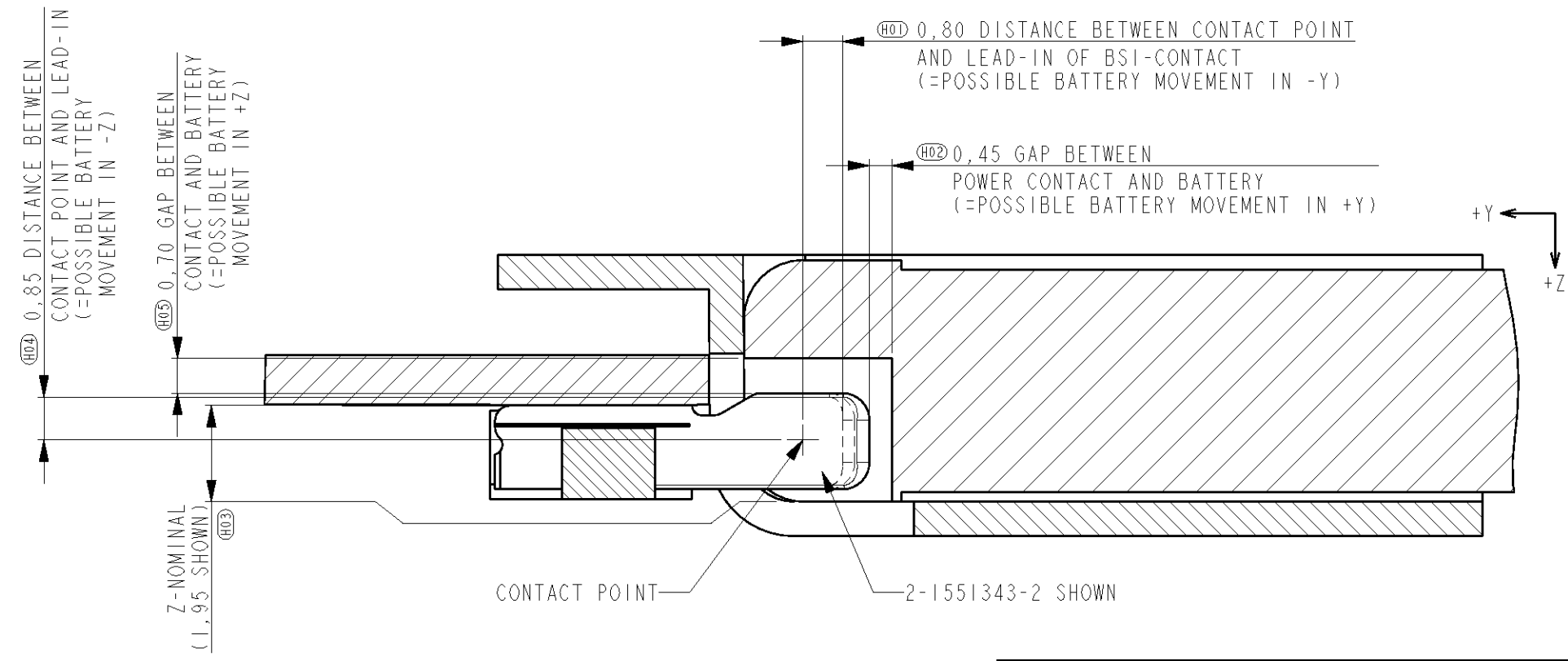
THIS DRAWING IS UNPUBLISHED. RELEASED FOR PUBLICATION
 © COPYRIGHT - BY - ALL RIGHTS RESERVED.

LOC	DIST	REVISIONS			
P	LTR	DESCRIPTION	DATE	DWN	APVD
H	-	SEE SHEET 1	-	-	-



SITUATION SKETCH OF THE PLUG APPLIED IN A BL-4B PHONE CASE.

CONNECTOR POSITIONING



WORKING RANGE:
 (PERMITTED BATTERY MOVEMENT)

IN X-DIRECTION ±0,50 SYMMETRICAL

IN Y-DIRECTION 1,25 TOTAL
 IN -Y-DIRECTION 0,80
 (BATTERY LENGTH TOLERANCE, PHONE CASE TOLERANCE, ASSEMBLY TOLERANCE, PHONE FLEXIBILITY)
 IN +Y-DIRECTION 0,45
 (ASSEMBLY TOLERANCE, PHONE FLEXIBILITY)

IN Z-DIRECTION 1,55 TOTAL
 IN -Z-DIRECTION 0,85
 (BATTERY FRONT TOLERANCE, PHONE CASE TOLERANCE, PHONE FLEXIBILITY)
 IN +Z-DIRECTION 0,70
 (PHONE CASE TOLERANCE, PHONE FLEXIBILITY)
 THESE VALUES APPLY IF Z-NOMINAL IS IN THE CENTER OF THE RANGE SPECIFIED FOR THE PLUG (AS SHOWN HERE).

WORKING RANGE

SCALE 8:1

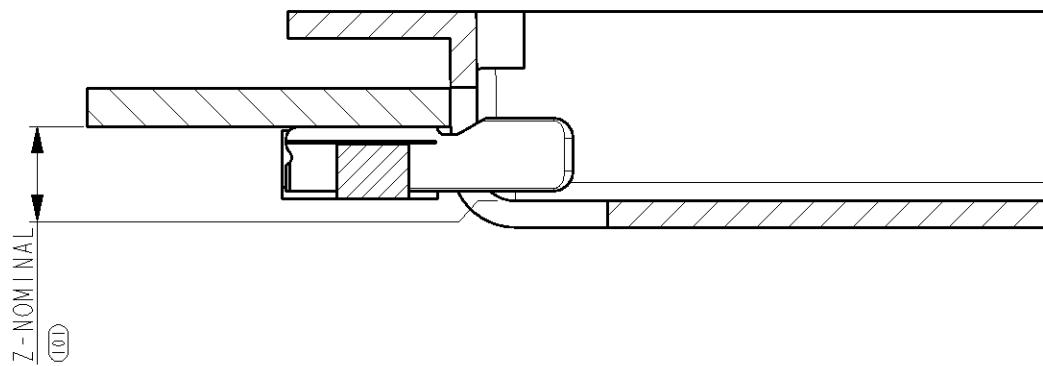
THIS DRAWING IS A CONTROLLED DOCUMENT.		DWN P.Willems 17AUG2009	TE Connectivity	
DIMENSIONS: mm		CHK P.Willems 17AUG2009		
TOLERANCES UNLESS OTHERWISE SPECIFIED:		APVD D.Halberstadt 17AUG2009	NAME	
0 PLC ±-		PRODUCT SPEC 108-19276	PLUG CONNECTOR	
1 PLC ±0,2		APPLICATION SPEC 114-19088	EDGE-TYPE ULTRA SHORT, 3 POSITION	
2 PLC ±0,1		WEIGHT -	SIZE A3	CAGE CODE 00779
3 PLC ±-		CUSTOMER DRAWING	DRAWING NO C=1551343	RESTRICTED TO -
4 PLC ±-			SCALE 10:1	SHEET 2 OF 5
ANGLES ±-				REV A
FINISH -				

THIS DRAWING IS UNPUBLISHED.

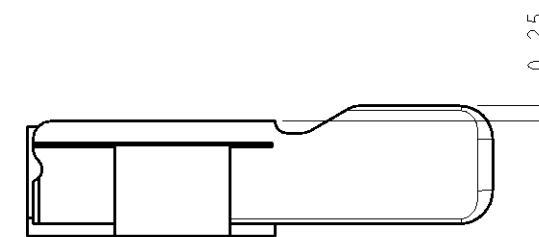
RELEASED FOR PUBLICATION

© COPYRIGHT - BY - ALL RIGHTS RESERVED.

LOC	DIST	REVISIONS					
H	-	P	LTR	DESCRIPTION	DATE	DWN	APVD
		-		SEE SHEET 1	-	-	-



NMP CODE	PART NUMBER	Z-NOMINAL RANGE	DIMENSION "A"	MASS [mg]
54699G2	2-1551343-2	<2,2 (1,75 - 2,15)	0,25	227



2-1551343-2

PRODUCT SELECTION

THIS DRAWING IS A CONTROLLED DOCUMENT.

DIMENSIONS:	TOLERANCES UNLESS OTHERWISE SPECIFIED:
mm	
	0 PLC ±-
	1 PLC ±0,2
	2 PLC ±0,1
	3 PLC ±-
	4 PLC ±-
	ANGLES ±-

MATERIAL - FINISH -

DWN	P. Willems	17AUG2009
CHK	P. Willems	17AUG2009
APVD	D. Halberstadt	17AUG2009

PRODUCT SPEC	108-19276
APPLICATION SPEC	114-19088
WEIGHT	-

CUSTOMER DRAWING



NAME				RESTRICTED TO	
PLUG CONNECTOR EDGE-TYPE ULTRA SHORT, 3 POSITION BATTERY BLOCK				-	
SIZE	CAGE CODE	DRAWING NO			
A3	00779	©-1551343			
SCALE	SHEET	OF	REV		
10:1	3	5	A		

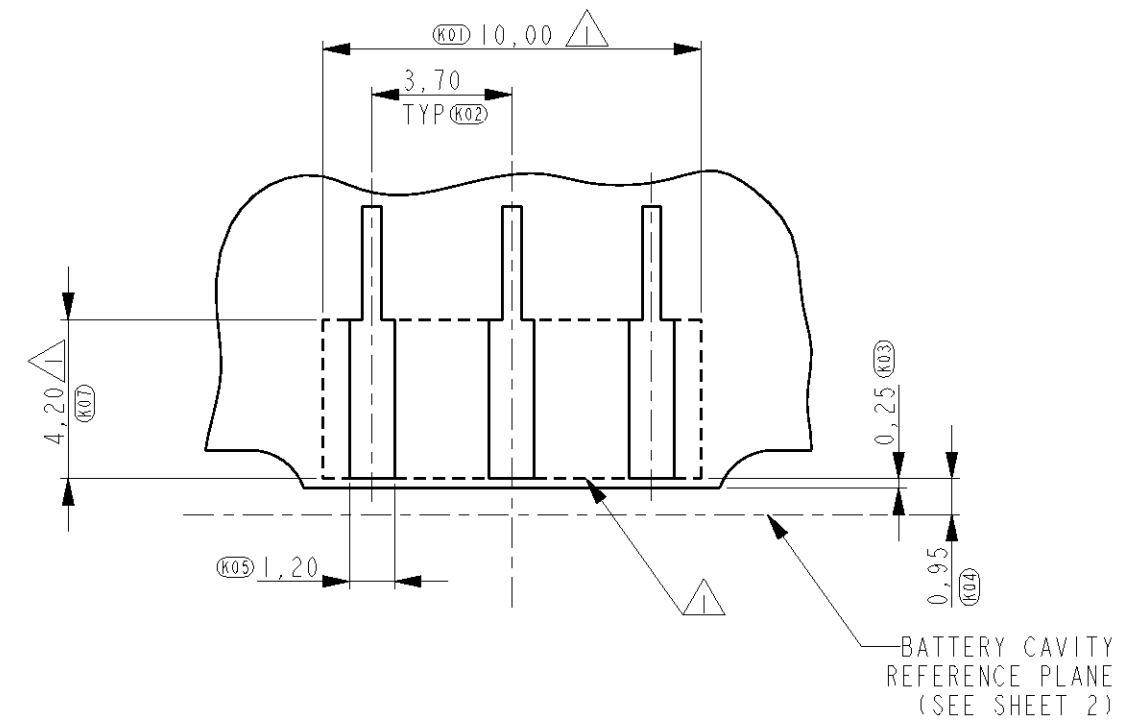
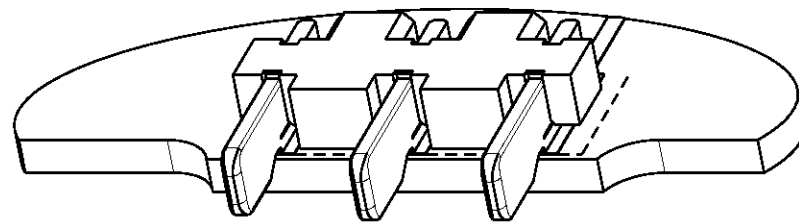
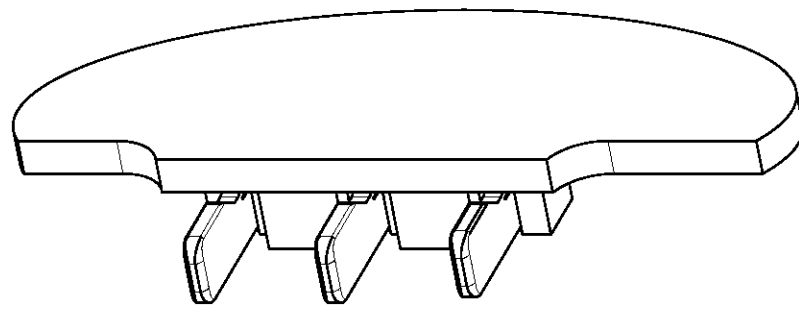
THIS DRAWING IS UNPUBLISHED.

RELEASED FOR PUBLICATION

© COPYRIGHT - BY -

ALL RIGHTS RESERVED.

LOC	DIST	REVISIONS					
		P	LTR	DESCRIPTION	DATE	DWN	APVD
H	-	-	-	SEE SHEET 1	-	-	-

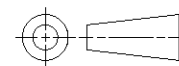


NOTES:

△ AREA FREE OF SOLDER SCREEN.

THIS DRAWING IS A CONTROLLED DOCUMENT.

DIMENSIONS:
mm



TOLERANCES UNLESS OTHERWISE SPECIFIED:

- 0 PLC ±-
- 1 PLC ±0,2
- 2 PLC ±0,1
- 3 PLC ±-
- 4 PLC ±-
- ANGLES ±-

MATERIAL -

FINISH -

DWN P. Willems 17AUG2009

CHK P. Willems 17AUG2009

APVD D. Halberstadt 17AUG2009

PRODUCT SPEC 108-19276

APPLICATION SPEC 114-19088

WEIGHT -

CUSTOMER DRAWING



NAME
PLUG CONNECTOR
EDGE-TYPE ULTRA SHORT, 3 POSITION
BATTERY BLOCK

SIZE	CAGE CODE	DRAWING NO	RESTRICTED TO
A3	00779	©=1551343	-

SCALE 10:1 SHEET 4 OF 5 REV A

4

3

2

1

THIS DRAWING IS UNPUBLISHED.

RELEASED FOR PUBLICATION

© COPYRIGHT - BY - ALL RIGHTS RESERVED.

LOC H DIST -

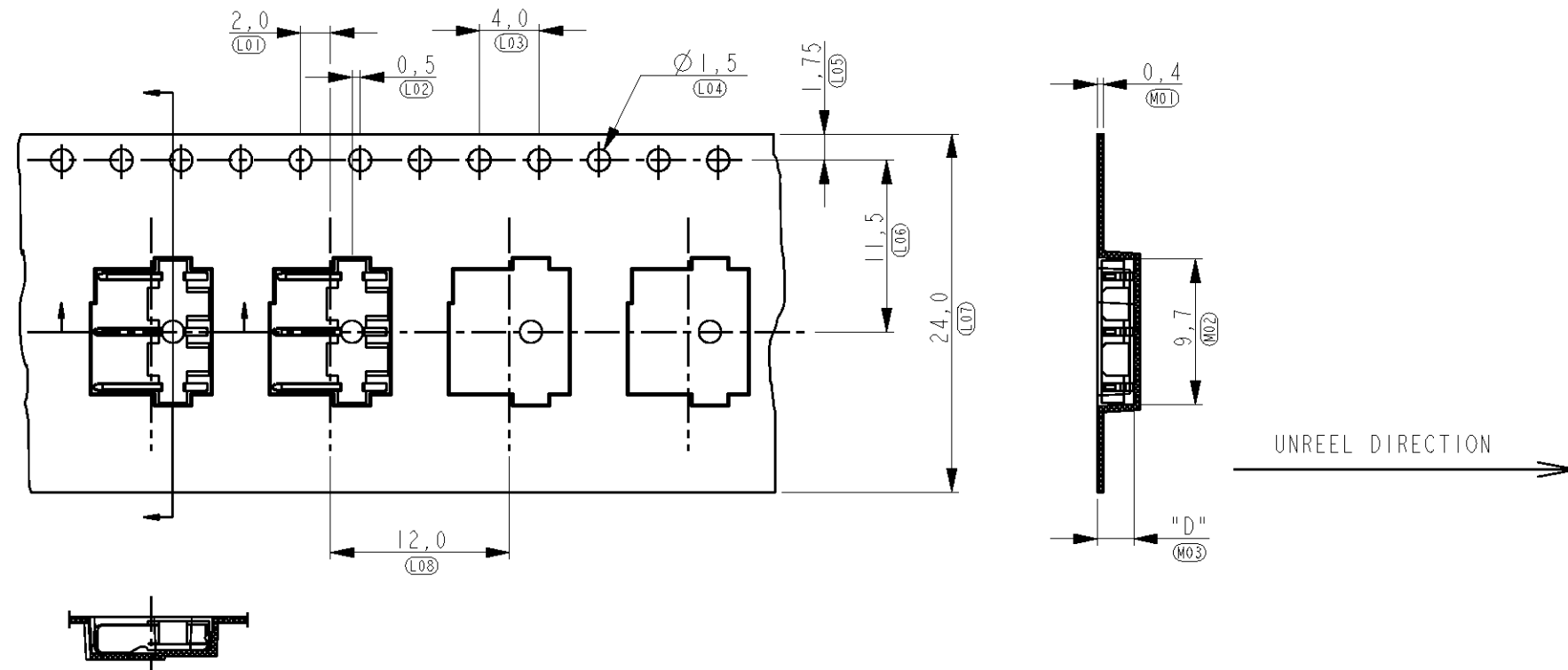
REVISIONS


P	LTR	DESCRIPTION	DATE	DWN	APVD
-	-	SEE SHEET 1	-	-	-

PART NUMBER	QUANTITY PER REEL	DIMENSION "D"
2-1551343-2	1800	2,45

NOTES:

1 REEL DIMENSION: 330x101x24,4.



THIS DRAWING IS A CONTROLLED DOCUMENT.		DWN P.Willems 17AUG2009	 TE Connectivity	
DIMENSIONS: mm		CHK P.Willems 17AUG2009		
TOLERANCES UNLESS OTHERWISE SPECIFIED:		APVD D.Halberstadt 17AUG2009	NAME	
0 PLC ±- 1 PLC ±0,2 2 PLC ±0,1 3 PLC ±- 4 PLC ±- ANGLES ±-		PRODUCT SPEC 108-19276	PLUG CONNECTOR	
MATERIAL - FINISH -		APPLICATION SPEC 114-19088	EDGE-TYPE ULTRA SHORT, 3 POSITION	
		WEIGHT -	BATTERY BLOCK	
		CUSTOMER DRAWING	SIZE A3	RESTRICTED TO -
			CAGE CODE 00779	
			DRAWING NO. 1551343	
			SCALE 10:1	SHEET 5 OF 5
				REV A