



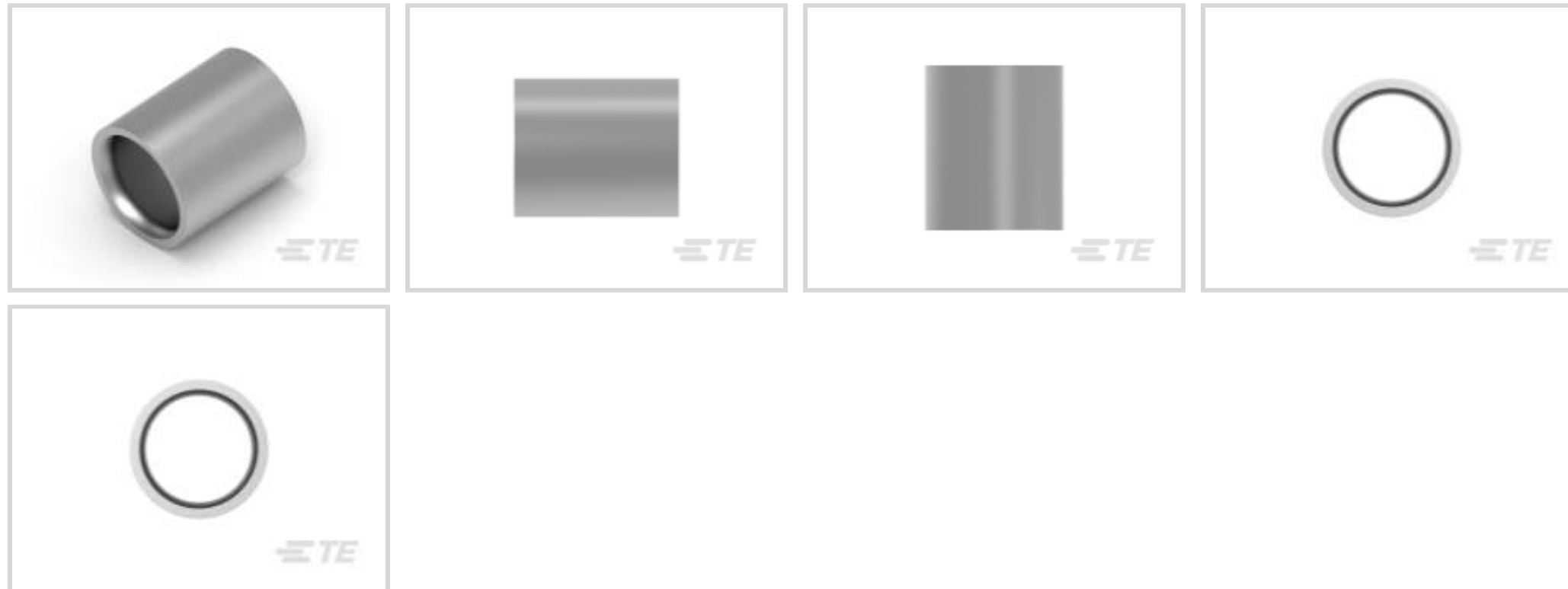
SOLISTRAND

TE Internal #: 36946

Splices, Parallel Splice, 0 AWG Wire Size, 41 – 60 mm² Wire Size, Standard, .444 in [11.27 mm] Barrel Inside Diameter, 83700 – 119500 CMA Wire Size

[View on TE.com >](#)

Terminals & Splices > Splices



Wire Size: 41 – 60 mm²

Sealable: No

Splice Features: **Standard**

Barrel Inside Diameter: 11.27 mm [.444 in]

Features

Product Type Features

| | |
|----------------------------------------|------------------------|
| Splice Accessory Type | Splice |
| Sealable | No |
| Splice Type | Parallel Splice |
| Compatible With Discrete Wire Type | Solid, Stranded |
| Wire Insulation Support Retention Type | Non-Insulation Support |

Configuration Features

| | |
|-----------------------------------|---------------|
| Compatible With Wire & Cable Type | Discrete Wire |
|-----------------------------------|---------------|

Body Features

| | |
|-----------------|----------|
| Product Weight | 15.245 g |
| Splice Features | Standard |

Contact Features

| | |
|---------------------------|---------|
| | 100 μin |
| Terminal Plating Material | Tin |
| Contact Base Material | Copper |



| | |
|-------------|--------|
| Barrel Type | Closed |
|-------------|--------|

Mechanical Attachment

| | |
|-------------------------|---------|
| Wire Insulation Support | Without |
|-------------------------|---------|

Dimensions

| | |
|------------------|-------------------|
| Outside Diameter | 15.58 mm[.613 in] |
|------------------|-------------------|

| | |
|-----------|--------------------|
| Wire Size | 83700 – 119500 CMA |
|-----------|--------------------|

| | |
|------------------------|-------------------|
| Barrel Inside Diameter | 11.27 mm[.444 in] |
|------------------------|-------------------|

| | |
|-----------------------------|------------------|
| Terminal Material Thickness | 1.85 mm[.073 in] |
|-----------------------------|------------------|

| | |
|----------------|-------------------|
| Product Length | 18.64 mm[.734 in] |
|----------------|-------------------|

Usage Conditions

| | |
|-------------------|-------------|
| Insulation Option | Uninsulated |
|-------------------|-------------|

| | |
|-----------------------------|----------------|
| Operating Temperature Range | 170 °C[338 °F] |
|-----------------------------|----------------|

Operation/Application

| | |
|------------------------------------|--------|
| Compatible With Wire Base Material | Copper |
|------------------------------------|--------|

Industry Standards

| | |
|-----------------------------|----|
| Government Qualified Splice | No |
|-----------------------------|----|

Packaging Features

| | |
|--------------------|----|
| Packaging Quantity | 50 |
|--------------------|----|

| | |
|------------------|-------------|
| Packaging Method | Loose Piece |
|------------------|-------------|

Product Compliance

[For compliance documentation, visit the product page on TE.com>](#)

| | |
|------------------------------|-----------|
| EU RoHS Directive 2011/65/EU | Compliant |
|------------------------------|-----------|

| | |
|-----------------------------|-----------|
| EU ELV Directive 2000/53/EC | Compliant |
|-----------------------------|-----------|

| | |
|-----------------------------------------------|-----------------------------------------|
| China RoHS 2 Directive MIIT Order No 32, 2016 | No Restricted Materials Above Threshold |
|-----------------------------------------------|-----------------------------------------|

| | |
|----------------------------------------|--------------------------------------------------------------------------------------------------------------------------------|
| EU REACH Regulation (EC) No. 1907/2006 | Current ECHA Candidate List: JUNE 2023 (235) Candidate List Declared Against: JAN 2023 (233) Does not contain REACH SVHC |
|----------------------------------------|--------------------------------------------------------------------------------------------------------------------------------|

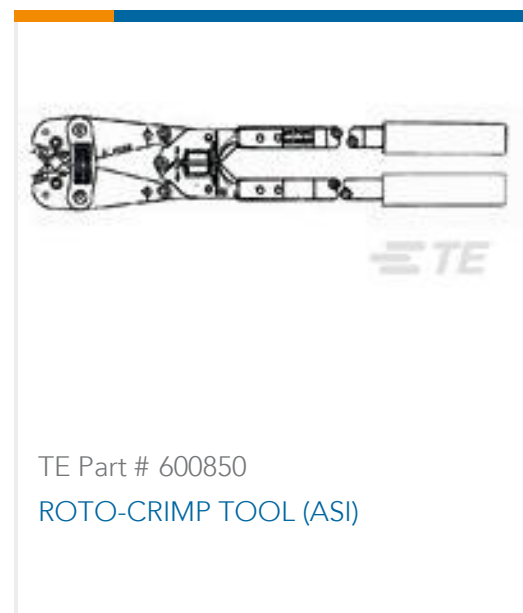
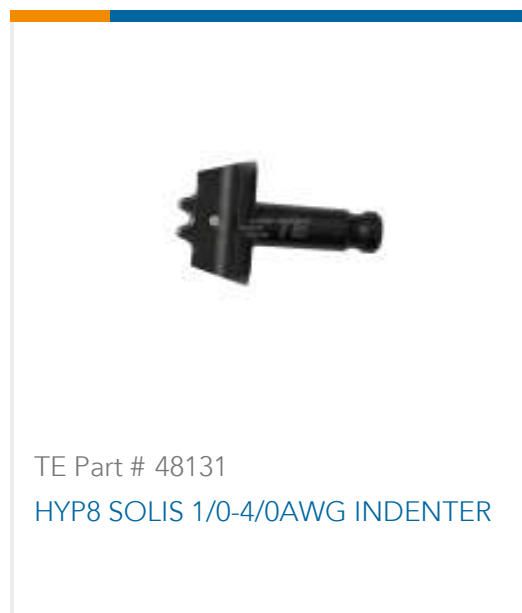
| | |
|-----------------|-------------------------------------------------------------------------------------|
| Halogen Content | Low Halogen - Br, Cl, F, I < 900 ppm per homogenous material. Also BFR/CFR/PVC Free |
|-----------------|-------------------------------------------------------------------------------------|

| | |
|---------------------------|----------------------------------------------|
| Solder Process Capability | Not applicable for solder process capability |
|---------------------------|----------------------------------------------|

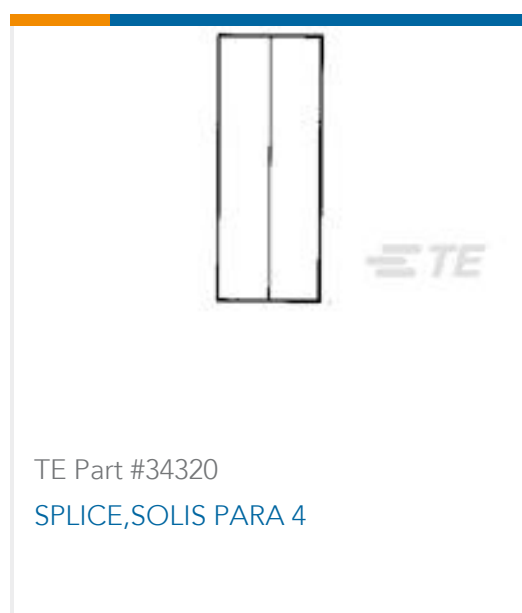
Product Compliance Disclaimer

This information is provided based on reasonable inquiry of our suppliers and represents our current actual knowledge based on the information they provided. This information is subject to change. The part numbers that TE has identified as EU RoHS compliant have a maximum concentration of 0.1% by weight in homogenous materials for lead, hexavalent chromium, mercury, PBB, PBDE, DBP, BBP, DEHP, DIBP, and 0.01% for cadmium, or qualify for an exemption to these limits as defined in the Annexes of Directive 2011/65/EU (RoHS2). Finished electrical and electronic equipment products will be CE marked as required by Directive 2011/65/EU. Components may not be CE marked. Additionally, the part numbers that TE has identified as EU ELV compliant have a maximum concentration of 0.1% by weight in homogenous materials for lead, hexavalent chromium, and mercury, and 0.01% for cadmium, or qualify for an exemption to these limits as defined in the Annexes of Directive 2000/53/EC (ELV). Regarding the REACH Regulation, the information TE provides on SVHC in articles for this part number is based on the latest European Chemicals Agency (ECHA) 'Guidance on requirements for substances in articles' posted at this URL: <https://echa.europa.eu/guidance-documents/guidance-on-reach>

Compatible Parts



Customers Also Bought





Documents

Product Drawings

[SPLICE, SOLIS PARA 1/0](#)

English

CAD Files

Customer View Model

[ENG_CVM_CVM_36946_S.2d_dxf.zip](#)

English

[3D PDF](#)

3D

Customer View Model

[ENG_CVM_CVM_36946_S.3d_igs.zip](#)

English

Customer View Model

[ENG_CVM_CVM_36946_S.3d_stp.zip](#)

English

By downloading the CAD file I accept and agree to the [Terms and Conditions](#) of use.

Datasheets & Catalog Pages

[SOLISTRAND - QRG](#)

English

Product Environmental Compliance

[MD_36946_03312017446_dmtec](#)

English

[MD_36946_03312017446_dmtec](#)

English

Agency Approvals

[UL Report](#)

English

[UL Report](#)

English

[UL Report](#)

English

