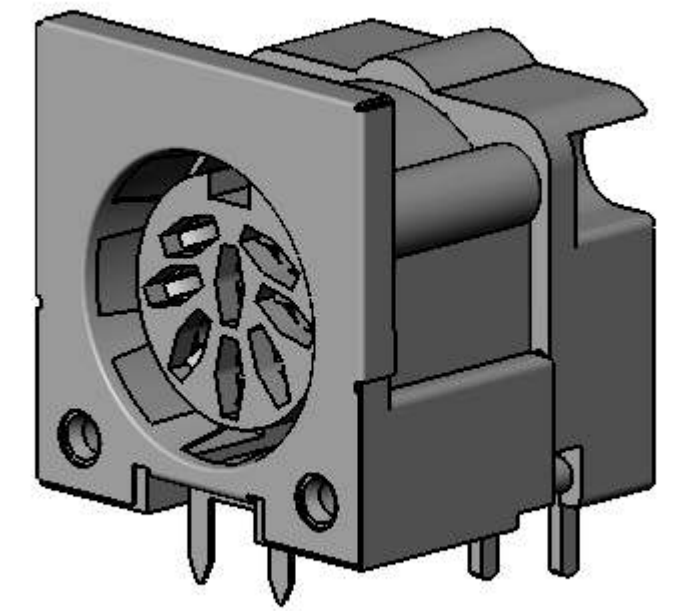
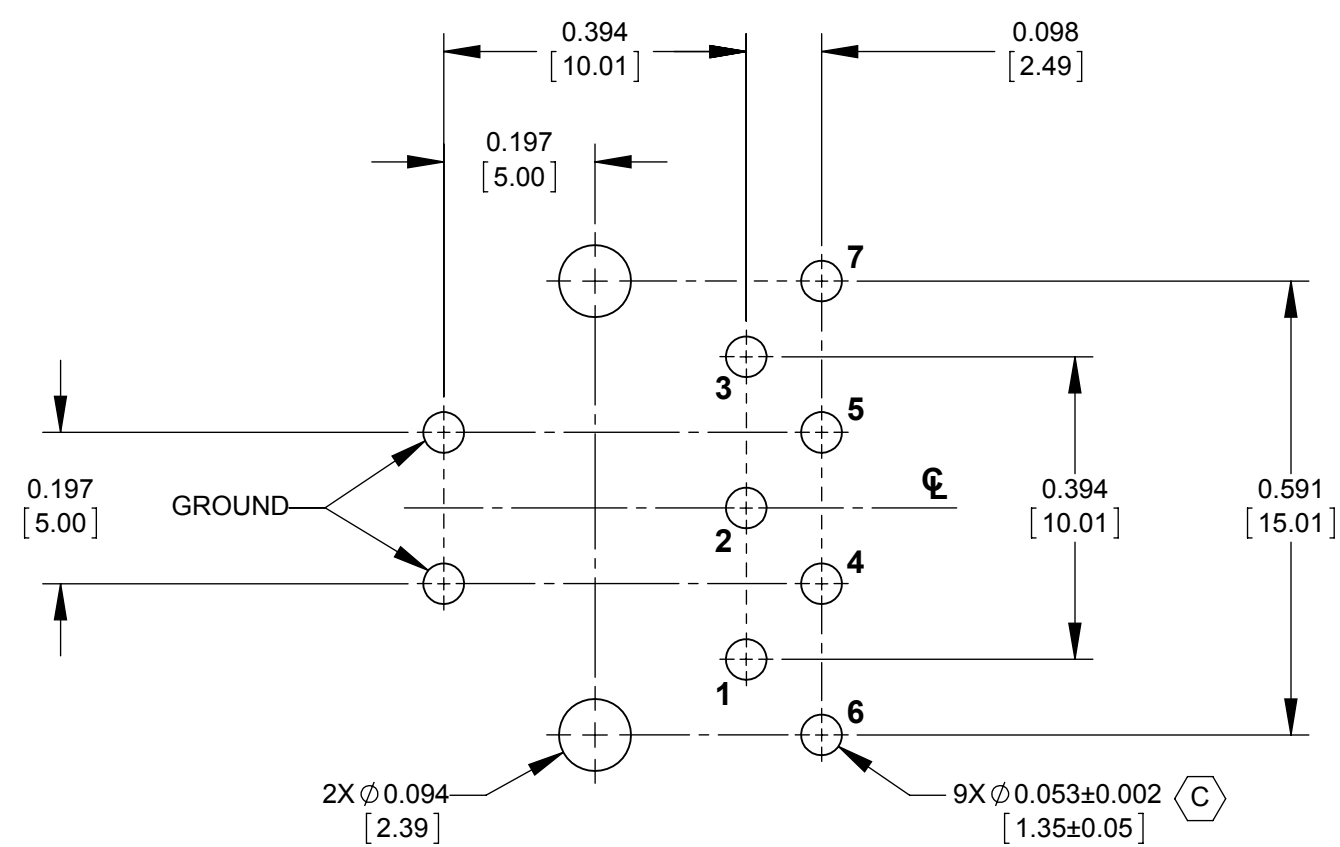
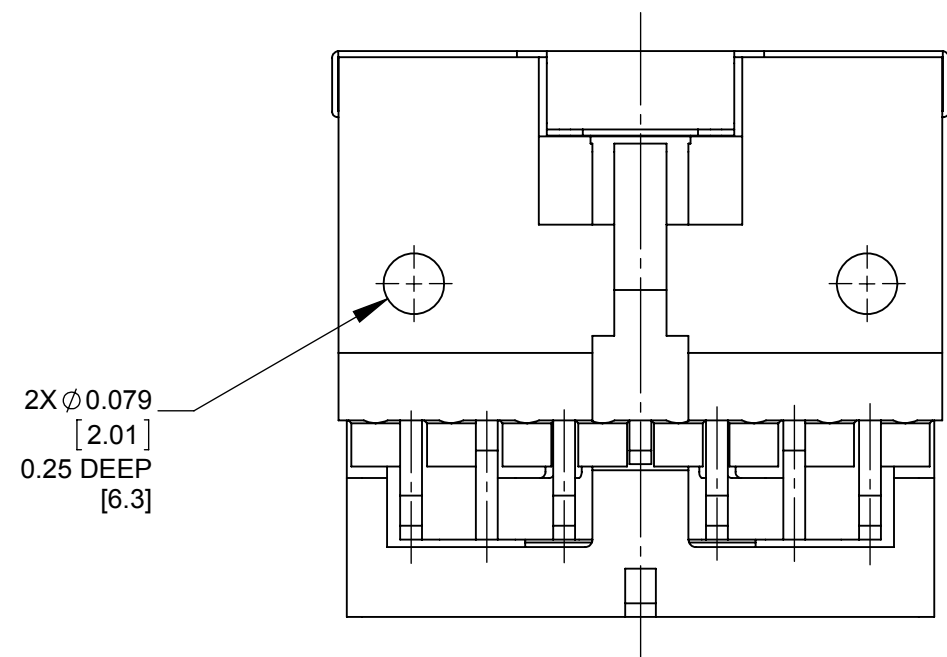
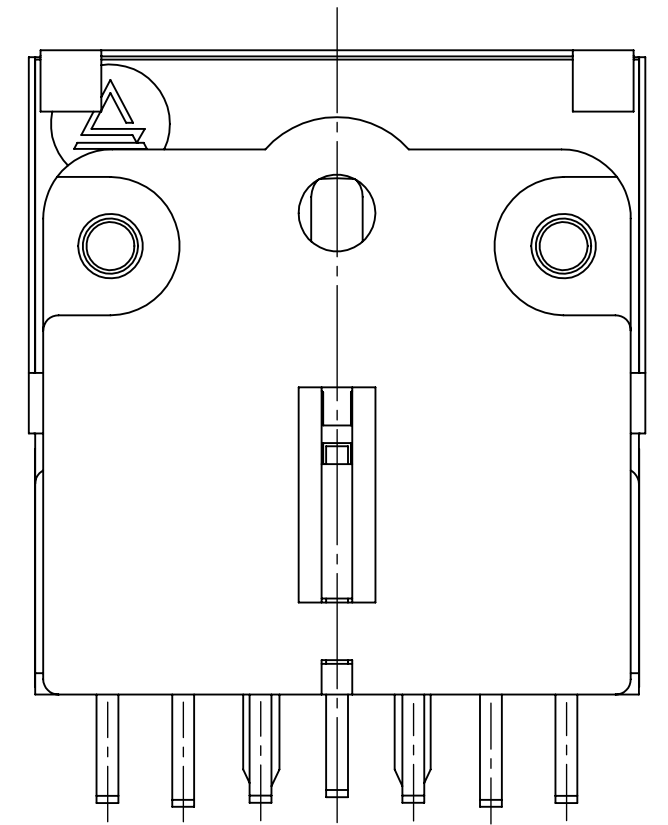
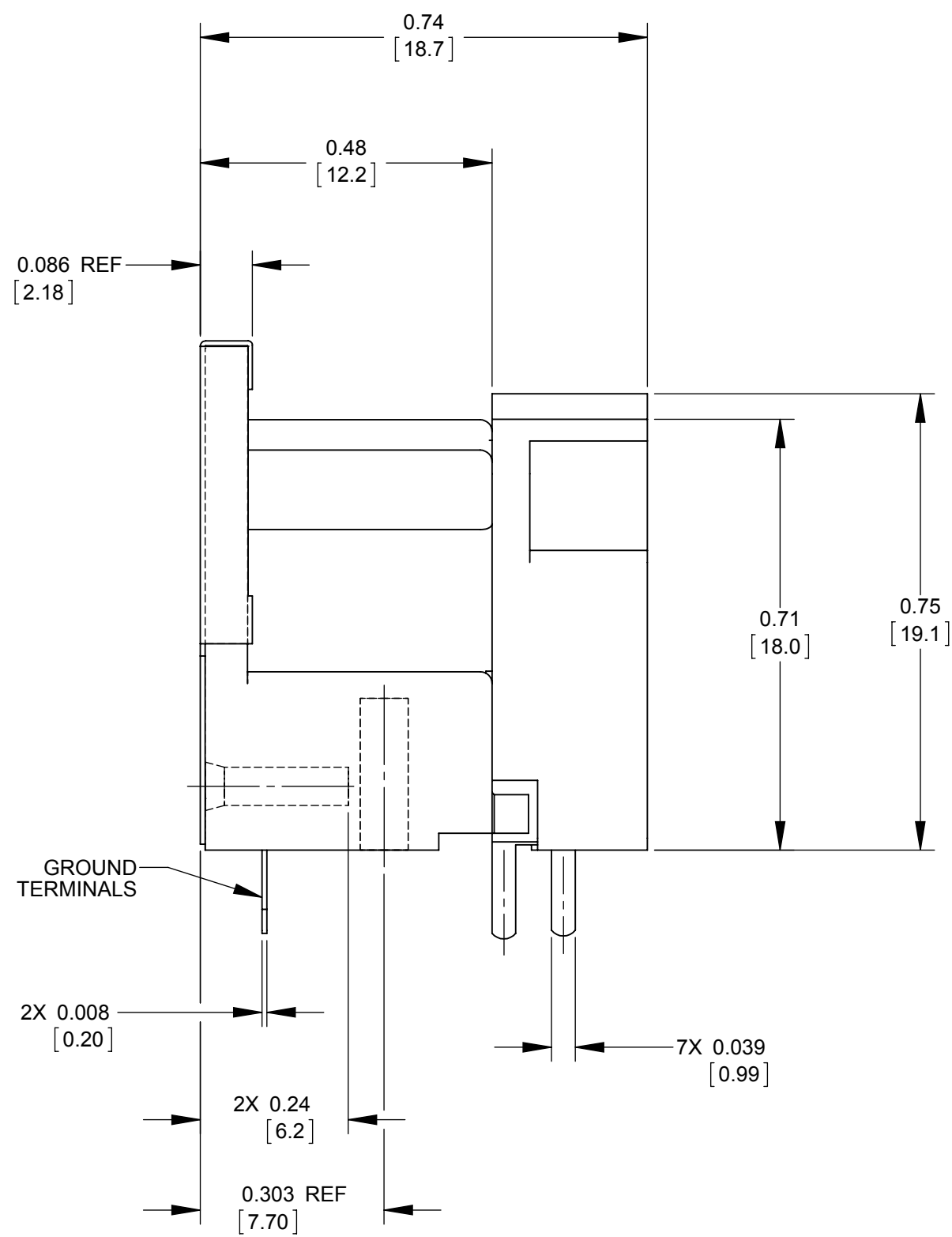


PIN NUMBERS FOR REFERENCE ONLY THEY DO NOT APPEAR ON THE PART



NOTES:

- MATERIALS:  
HOUSING - THERMOPLASTIC, BLACK.  
PC TERMINALS - COPPER ALLOY, TIN PLATED.  
GROUND PLATE - SPECIAL COPPER ALLOY, TIN PLATED.  
COVER - THERMOPLASTIC, BLACK.
- MATES WITH PLUG  
 $\varnothing 0.520 \pm 0.008$  [13.21 ±0.20]  
 $\varnothing 0.536 \pm 0.004$  [13.61 ±0.10]
- THIS PRODUCT IS RoHS COMPLIANT.

RECOMMENDED PC BOARD LAYOUT  
COMPONENT SIDE

CUSTOMER DRAWING

REV	ECO NUMBER	DATE	BY	APVD
C	CAD REDRAW NO CHANGE - ECO #27408	11/17/14	PC	TJK
REVISIONS				

UNLESS OTHERWISE SPECIFIED  
1. ALL DIMENSIONS IN INCHES [mm]  
- TWO PLACE DECIMALS ±0.02 [0.5]  
- THREE PLACE DECIMALS ±0.005 [0.13]

THIS DRAWING DESCRIBES A DESIGN CONSIDERED PROPRIETARY IN NATURE, DEVELOPED AND MANUFACTURED BY SWITCHCRAFT INC. AND IS RELEASED ON A CONFIDENTIAL BASIS FOR IDENTIFICATION PURPOSES ONLY.				
SIZE	WIDTH	MULT	LBS/M	TEMPER
FINISH		MATERIAL		
SPEC No.		SPEC No.		
FIRST USED ON		SCALE		
		4:1		
DATE DRAWN	BY	CHKD	APVD	
04/08/83	RB	TS	RV	
		04/12/83	04/12/83	
NAME RIGHT ANGLE SHIELDED PC FEMALE DIN RECEPTACLE, RoHS			PART No.	REV
			62PC7FS	C

DO NOT SCALE DRAWING

SolidWorks CAD File