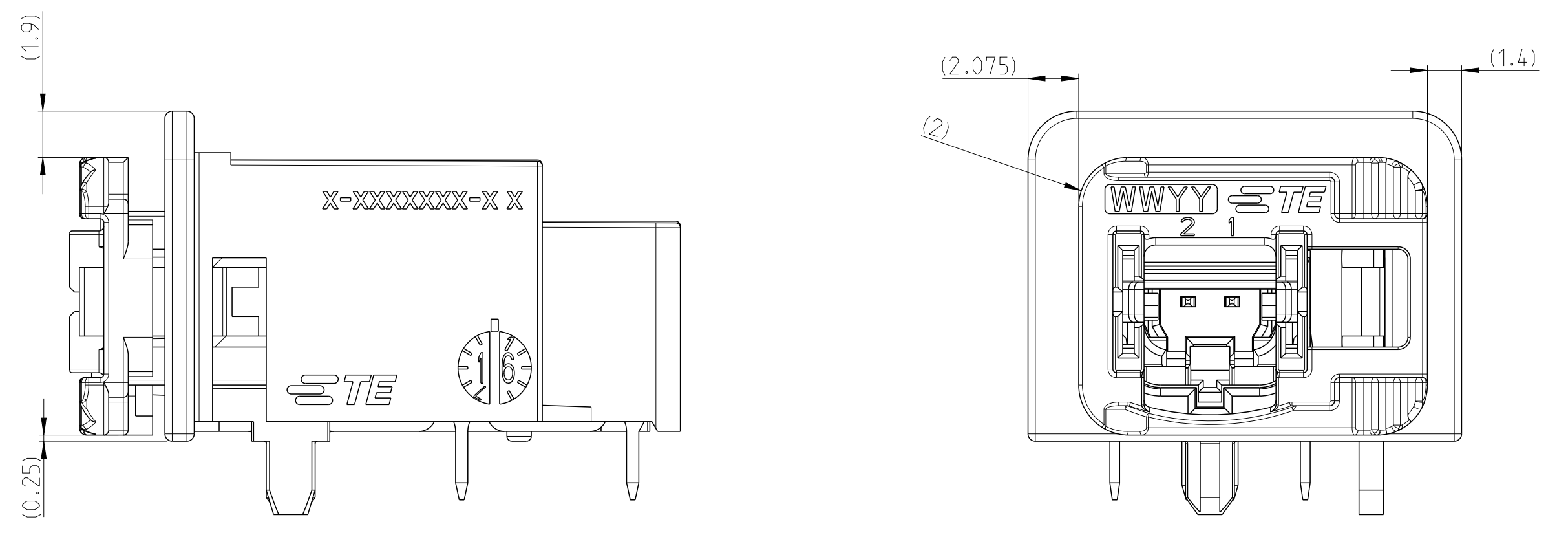


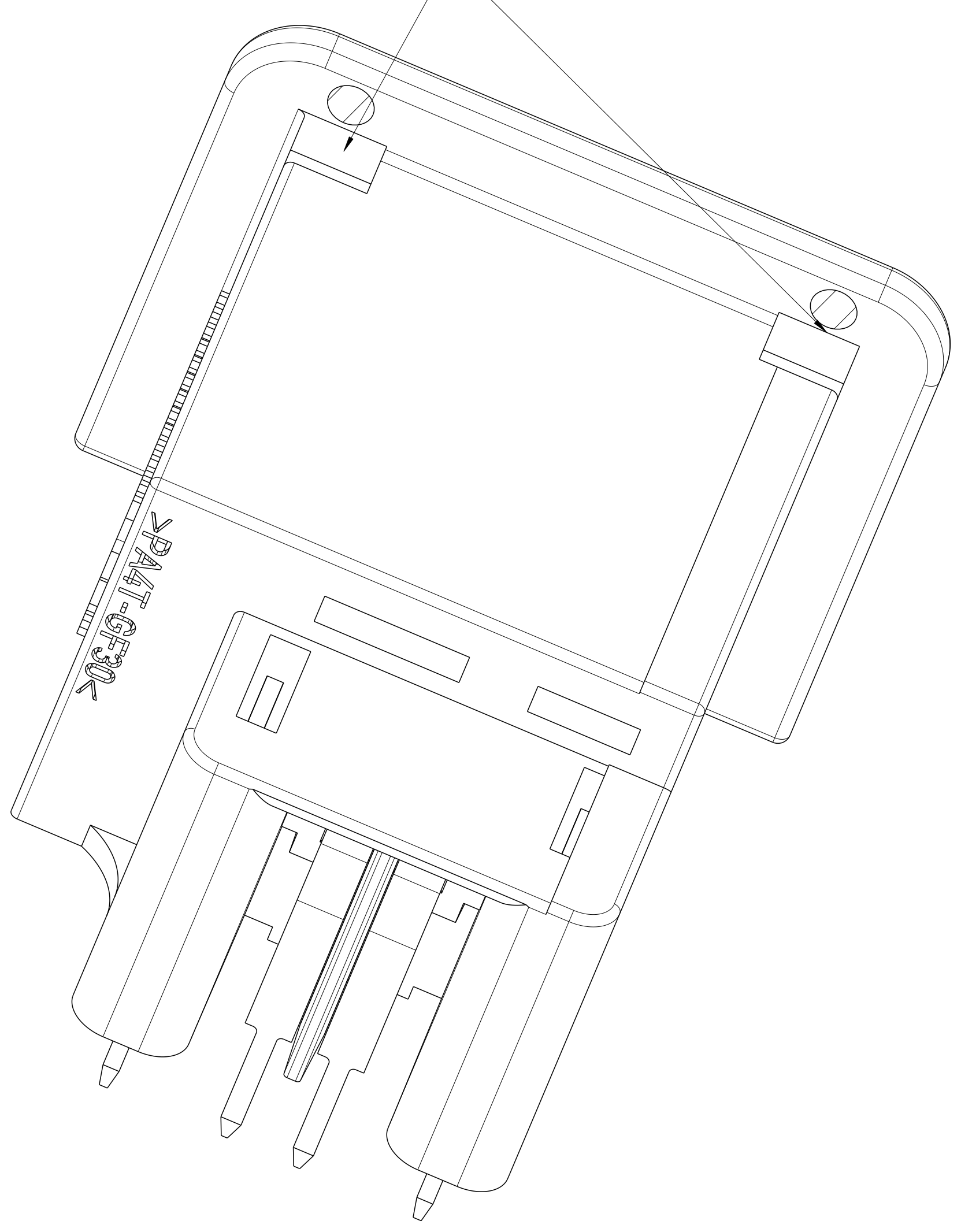
REVISIONS				
P	LV	DESCRIPTION	DATE	APPD
-	-	SEE SHEET 1	-	-

MATED WITH CONNECTOR



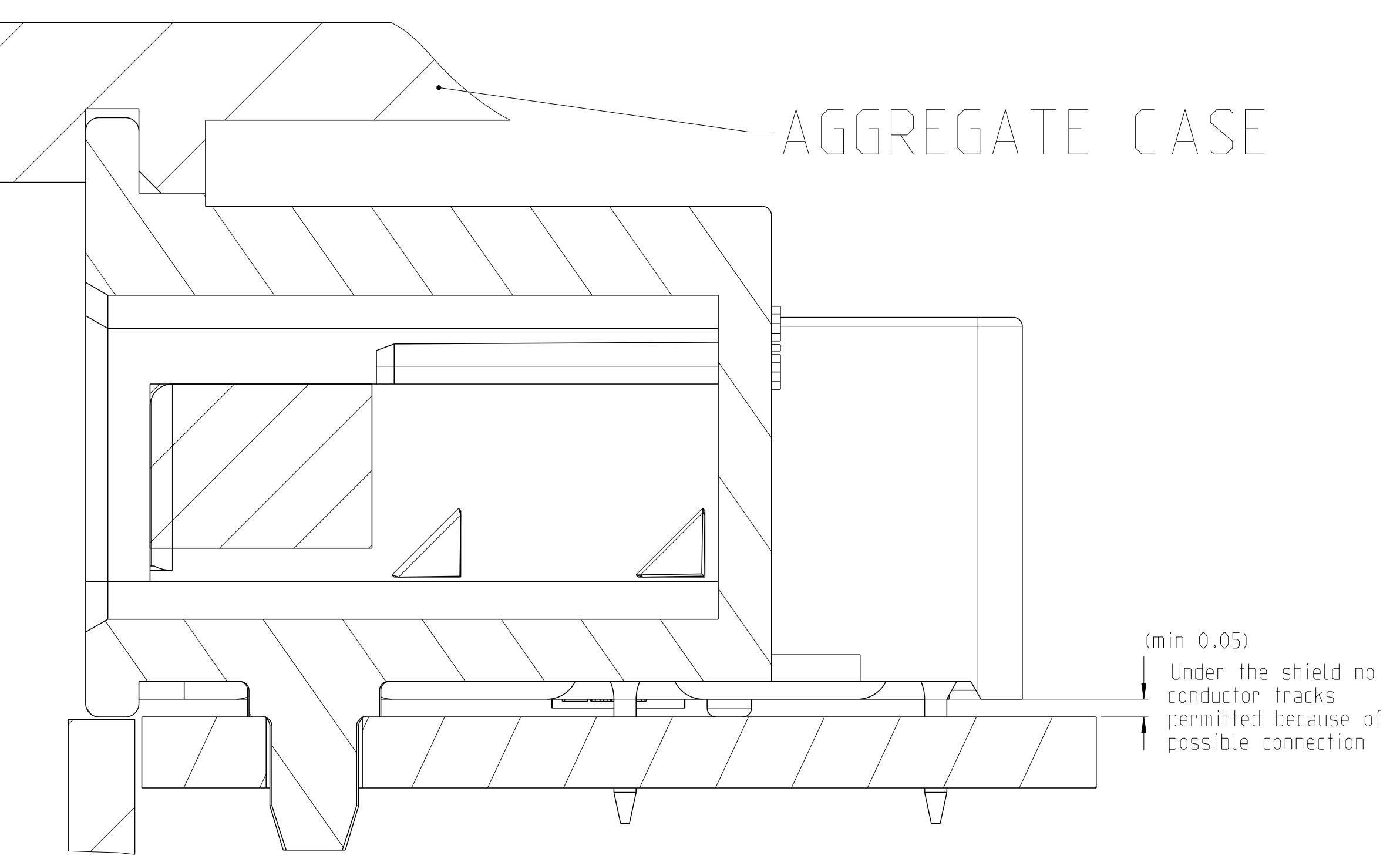
POSSIBLE FIXTURE OF HEADER

CONTACT POINTS FOR AGGREGAT CASE



PROPOSAL CASE

AGGREGATE CASE



THIS DRAWING IS A CONTROLLED DOCUMENT.		DATE: 03JUN2016	BY: J. Burkhard	TE Connectivity
DIMENSIONS: UNLESS OTHERWISE SPECIFIED:		DATE: 03JUN2016	BY: J. Burkhard	
		APPROVED: S. Eibenlin	NAME: 1 PORT HEADER ASSY	
MATERIAL: -		APPLICATION SPEC: -	PRODUCT SPEC: -	1 Part Header ASSY
FINISH: -		WEIGHT: -	SIZE: A0	RESTRICTED TO: -
CUSTOMER DRAWING		SCALE: 5:1	SHEET: 2 of 2	REV: A6