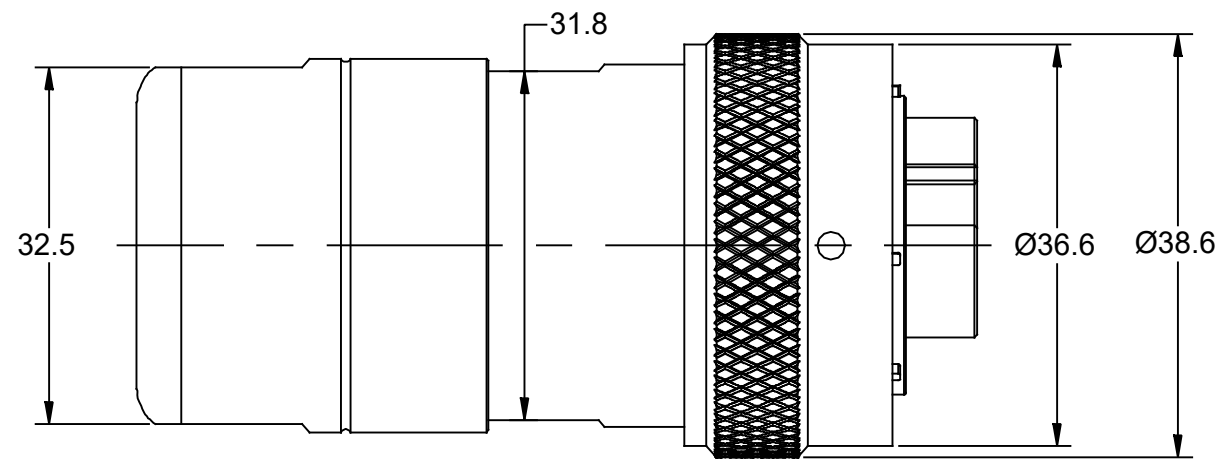
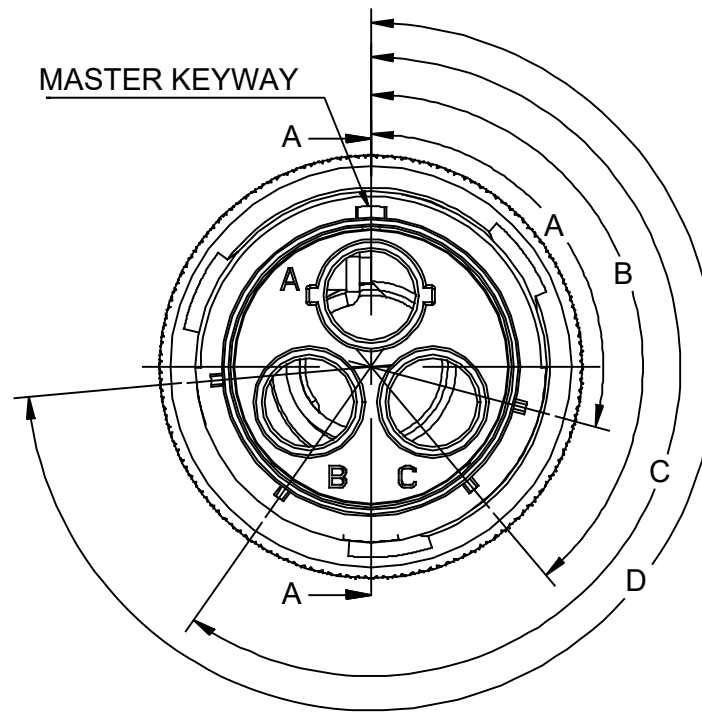
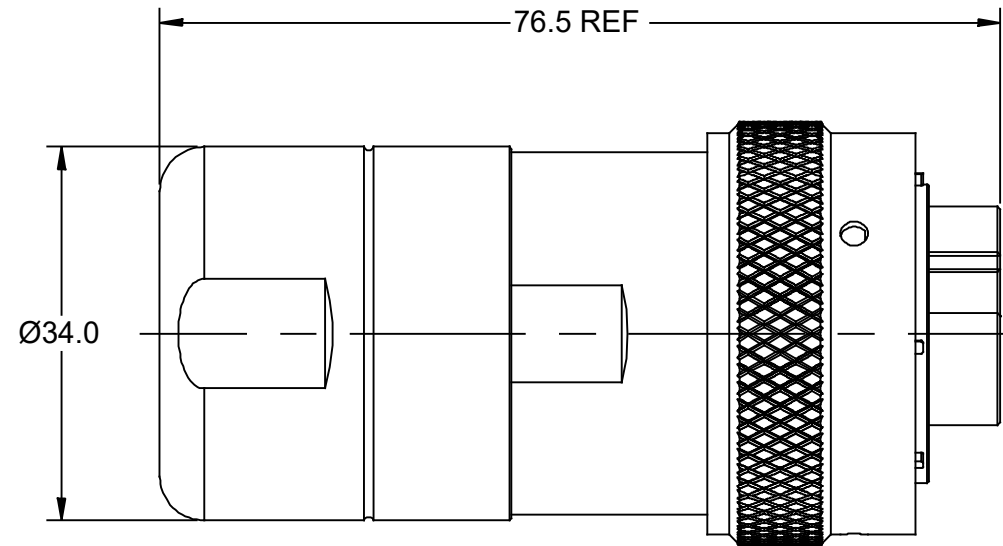
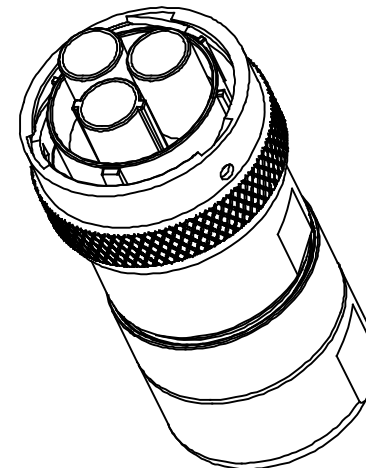


REVISIONS					
REV	ECO	DESCRIPTION	DATE	BY	APPR
A1	-	RELEASED DRAWING	Sep-25-2020	Ronald	Tommy



NOTES:

- MATERIAL:
 - HOUSING BODY: ZINC DIE- CAST, NICKEL PLATED
 - COUPLING NUT: AL ALLOY, NICKEL PLATED
 - INSULATION INSERT: PA66 ,UL94 V0
 - SEAL: SILICONE RUBBER
- SPECIFICATIONS:
 - CURRENT RATING: 86 AMPS MAX.
 - VOLTAGE RATING: 630 V A C/DC
 - OPERATING TEMPERATURE: -40°C TO +125°C
 - DIELECTRIC WITHSTANDING VOLTAGE: LESS THAN 2 MILLIAMPS CURRENT IEAKAGE @ 5000 VOLTS A C
 - DEGREE OF PROTECTION: I P67 (MATED CONDITION)
 - DEGREE OF POLLUTION: 3 PER UL840
 - OVERVOLTAGE CATEGORY: I II PER UL840
 - MATING CYCLE DURABILITY : >100 CYCLES
 - RoHS COMPLIANT
- ALL DIMENSIONS ARE FOR REFER ENCE USE ONLY.
- "*" DENOTE KEY POSITION OF "N ", "W", "X", "Y" OR "Z".



KEY POS	PART NUMBER	A	B	C	D	CABLE OD RANGE
N	RTHP6203SNH-S2	105°	140°	215°	265°	13.5-14mm
W	RTHP6203SWH-S2	79°	140°	215°	265°	
X	RTHP6203SXH-S2	105°	126°	215°	265°	
Y	RTHP6203SYH-S2	105°	140°	215°	259°	
Z	RTHP6203SZH-S2	105°	140°	215°	330°	

QUANTITY	PART NUMBER	DESCRIPTION	ITEM
MATERIALS LIST			
UNLESS OTHERWISE SPECIFIED 1) All dimensions are in metric(mm). 2) Tolerances are as follows: 1 PL DEC ±0.30 2 PL DEC ±0.15 3 PL DEC ±0.05 Fractions ±1/64 Angles ±1° 3) Note reference =		SIGNATURES DRAWN: Ronald CHECKED: Flan ENGINEER: APPROVAL: Tommy	DATE Sep-25-2020 Sep-27-2020 Sep-28-2020
MATERIAL SPECIFICATIONS: PROCESS SPECIFICATIONS: NEXT ASSY:		CUSTOMER: THIS DRAWING IS SUPPLIED FOR INFORMATION ONLY. DESIGN FEATURE SPECIFICATIONS AND PERFORMANCE D SHOWN HEREON ARE THE PROPERTY OF THE AMPHENOL CORPORATION. NO RIG OF REPRODUCTION ARE IMPLIED. ALL DIMENSIONS ARE SUBJECT TO NORMAL MANUFACTURING VARIATIONS.	<div style="text-align: center;"> <p>Sine Systems - www.amphenol-sine.com 44724 Morley Drive Clinton Township, MI 48036</p> </div> <p>3 Position Plug, Female, Size 8 (3.6mm), shell Size 20, with Radsok® Technology, High Amperage, 630V</p>
SCALE: NONE		SIZE B C-	REVISION A1
SHEET 1		OF 1	

TITLE: ECNATE RM HIGH AMP PLUG SIZE 20, 3POS, MACK-SHELLS, SHELING
 DWG NO: RTHP6203S*H-Sx
 REV: A1
 SH: 1
 OF: 1