



575SX1A48F503SS

575 Series Commercial Potentiometer, Conductive Plastic Element, Solder Hook Terminals, 0.5 W Power Rating, 50 kOhm Resistance Value

Representative photograph, actual product appearance may vary.

Due to regional agency approval requirements, some products may not be available in your area. Please contact your regional Honeywell office regarding your product of choice.

Features

- All plastic construction
- Conductive plastic element
- Linear taper
- Solder hook terminals

Typical Applications

- Manual controls (throttle, joystick)
- Welding and heating
- Telecommunications

Description

The 575 Series is a low cost potentiometer with the benefits of a conductive plastic element. It is panel mounted and the housing and shaft are made from thermoplastic material.



575SX1A48F503SS

575 Series Commercial Potentiometer, Conductive Plastic Element, Solder Hook Terminals, 0.5 W Power Rating, 50 kOhm Resistance Value

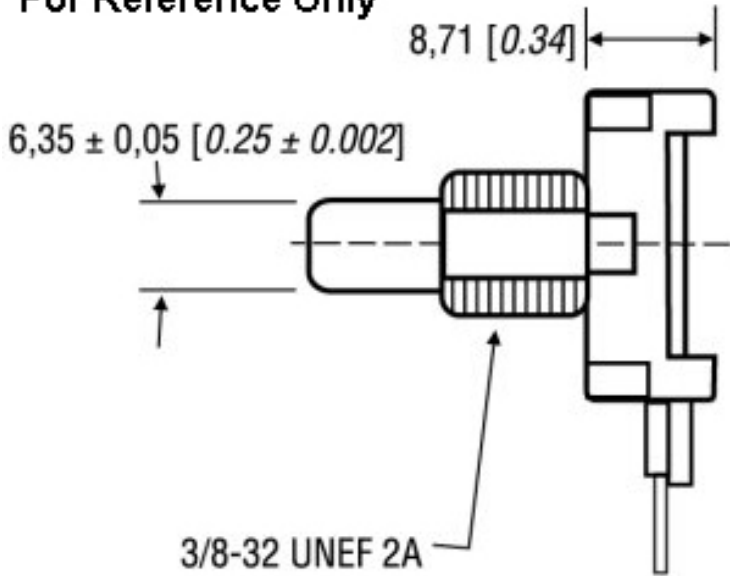
| Product Specifications | |
|------------------------|------------------------------------------------------------------------------|
| Potentiometer Type | Commercial |
| Element Type | Conductive Plastic |
| Terminal Type | Solder Hook |
| Power Rating | 0.5 W |
| Resistance Value | 50 kOhm |
| Resistance Tolerance | ± 20 % |
| Linearity | ± 5 % |
| Bushing Thread | 9,53 mm [0.375 in] x 32 NEF-2A |
| Bushing length | 6,35 mm [0.25 in] |
| Bushing Type | Standard |
| Shaft Diameter | 6,35 mm [0.25 in] |
| Shaft length | 19,05 mm [0.75 in] |
| Shaft Ending | Flatted |
| Body | 21.08 mm [0.83 in] square, ± 0.79 mm [0.031 in], except at terminal standoff |
| Electrical Taper | Linear |
| Operating Temperature | -40 °C to 120 °C [-40 °F to 248 °F] |
| Working Voltage (Max.) | 350 V |
| Rotational Life | 50000 cycles |
| Mechanical Rotation | 300° |
| Availability | Global |
| Series Name | 575 Series |
| UNSPSC Code | 4111363300 |
| UNSPSC Commodity | 4111363300 Potentiometers |

Honeywell

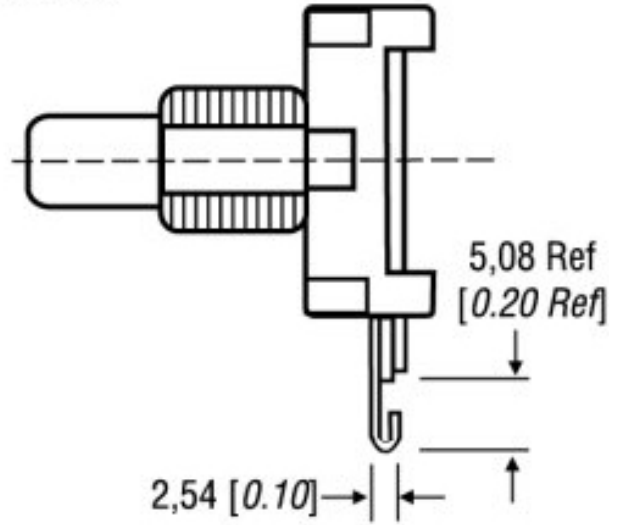
575SX1A48F503SS

575 Series Commercial Potentiometer, Conductive Plastic Element, Solder Hook Terminals, 0.5 W Power Rating, 50 kOhm Resistance Value

For Reference Only



**Solder Hook
Terminals**



575SX1A48F503SS

575 Series Commercial Potentiometer, Conductive Plastic Element, Solder Hook Terminals, 0.5 W Power Rating, 50 kOhm Resistance Value

⚠ WARNING

PERSONAL INJURY

DO NOT USE these products as safety or emergency stop devices, or in any other application where failure of the product could result in personal injury.

Failure to comply with these instructions could result in death or serious injury.

⚠ WARNING

MISUSE OF DOCUMENTATION

- The information presented in this product sheet (or catalog) is for reference only. DO NOT USE this document as product installation information.
- Complete installation, operation and maintenance information is provided in the instructions supplied with each product.

Failure to comply with these instructions could result in death or serious injury.

