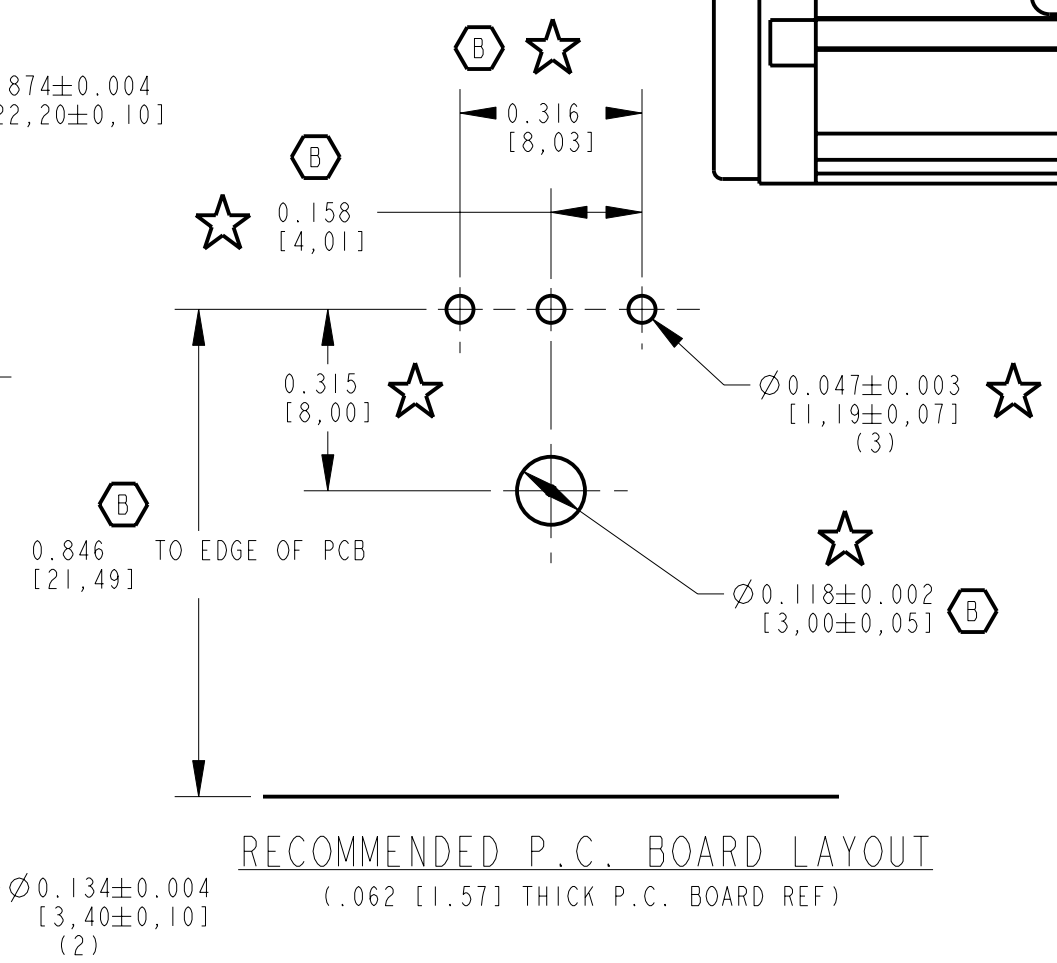
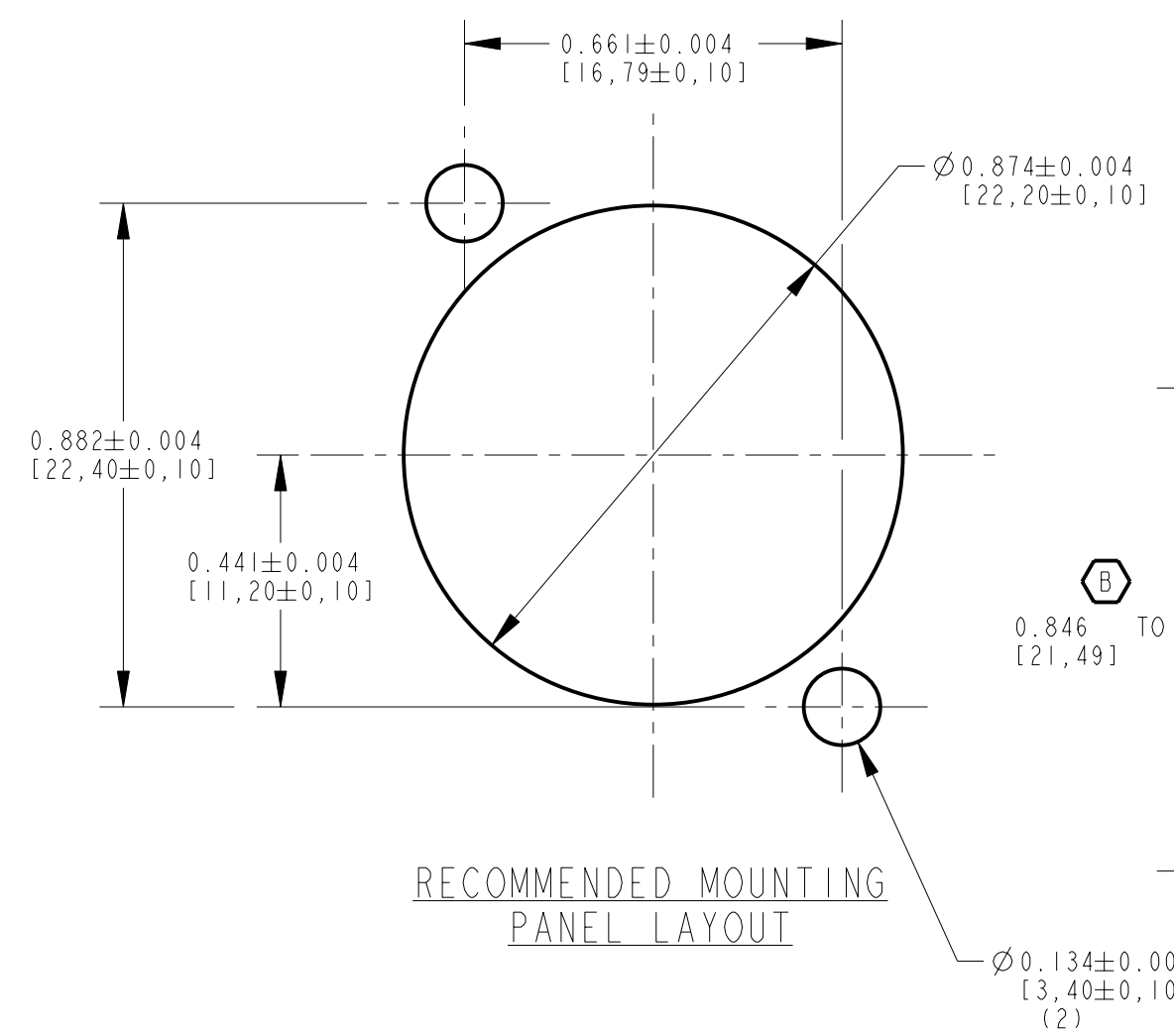


**MATERIALS:**

HOUSING - ZINC ALLOY, NICKEL PLATED  
 CONTACTS - COPPER ALLOY, SILVER PLATED  
 INSULATOR - THERMOPLASTIC, UL 94-0 RATED  
 INSULATING SPACER - PHENOLIC  
 GROUND SPRING - HEAT TREATED STEEL OR COPPER ALLOY, TIN PLATED  
 GROUND PIN - COPPER ALLOY, TIN PLATED  
 FERRITE - NICKEL ZINC, K-100  
 RATED CURRENT - 3 AMP  
 SERVICE VOLTAGE - 133 VAC



CUSTOMER DRAWING

REV	ECO NUMBER	DATE	BY	APVD
B	24518	7/14/3	KJB	KJB
A	22650	1-21-02	TJK	KJB

THIS DRAWING DESCRIBES A DESIGN CONSIDERED PROPRIETARY IN NATURE, DEVELOPED AND MANUFACTURED BY SWITCHCRAFT INC. AND IS RELEASED ON A CONFIDENTIAL BASIS FOR IDENTIFICATION PURPOSES ONLY.				
SIZE	WIDTH	MULT	LBS/M	TEMPER
FINISH		MATERIAL		
SPEC No.		SPEC No.		
FIRST USED ON		SCALE		
		3:1		
DATE DRAWN	BY	CHKD	APVD	
21-Jan-02	KJB	TJK	KJB	
		1-21-02		
NAME				REV
MALE 3 PIN OG				B
RA/PC W/FERRITE				

**Switchcraft**

SHEET 1 OF 1  
 PART No. E3MRAF