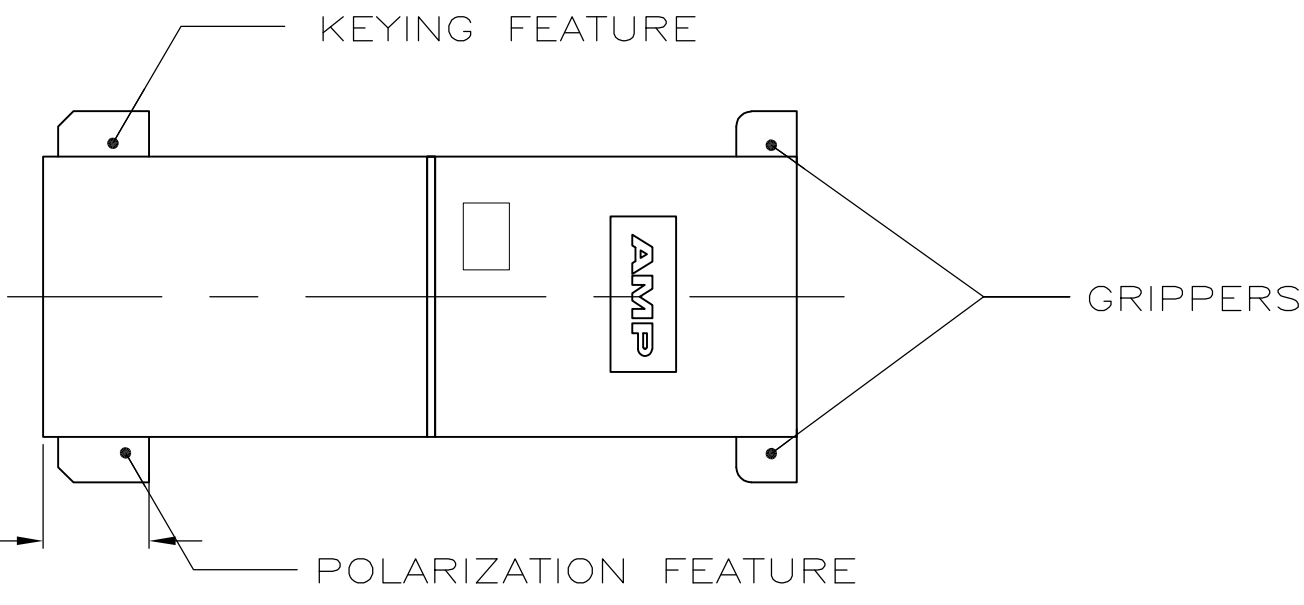


THIS DRAWING IS UNPUBLISHED. RELEASED FOR PUBLICATION
 © COPYRIGHT - By - ALL RIGHTS RESERVED.

LOC		DIST		REVISIONS					
AF		50		P	LTR	DESCRIPTION	DATE	DWN	APVD
				C		REVISED PER ECR-18-002219	28FEB2018	BDA	MD

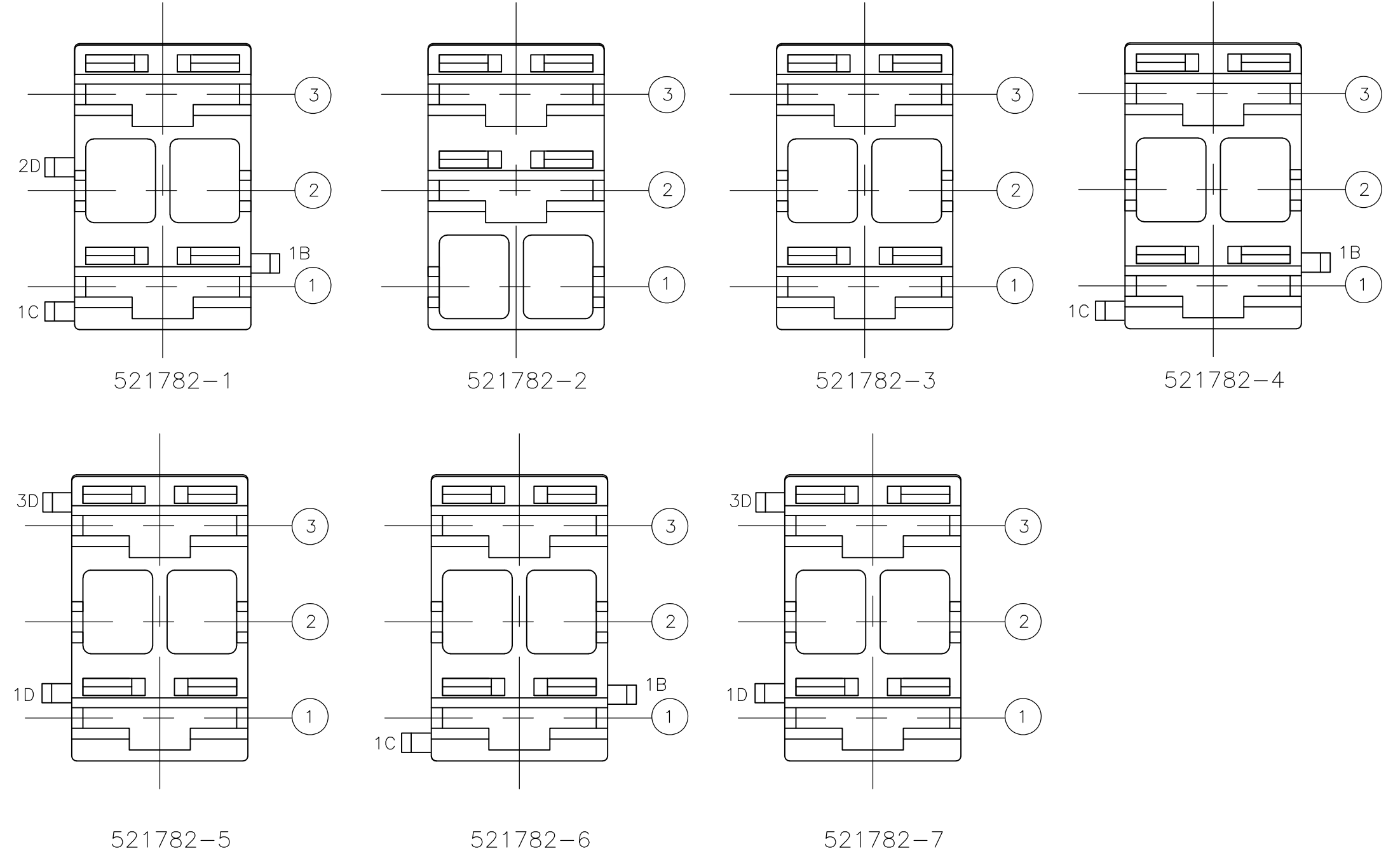
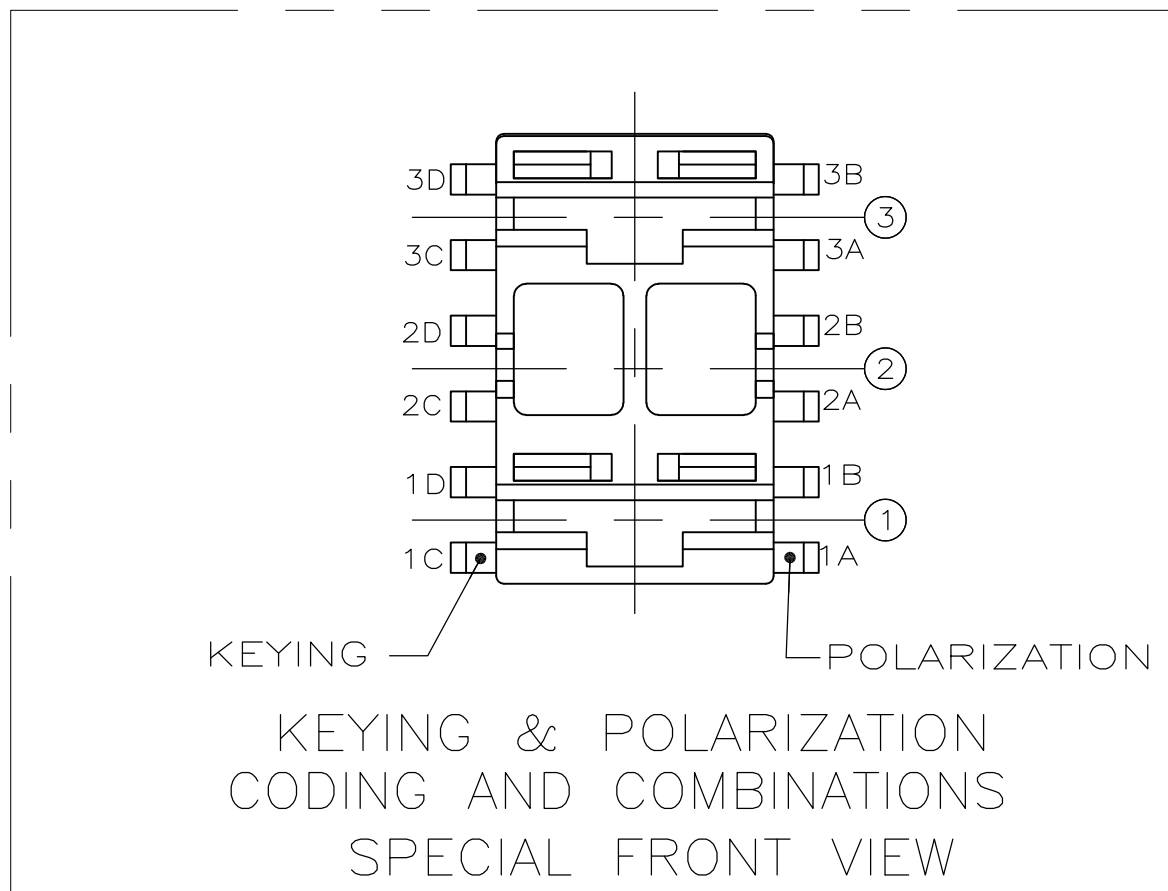
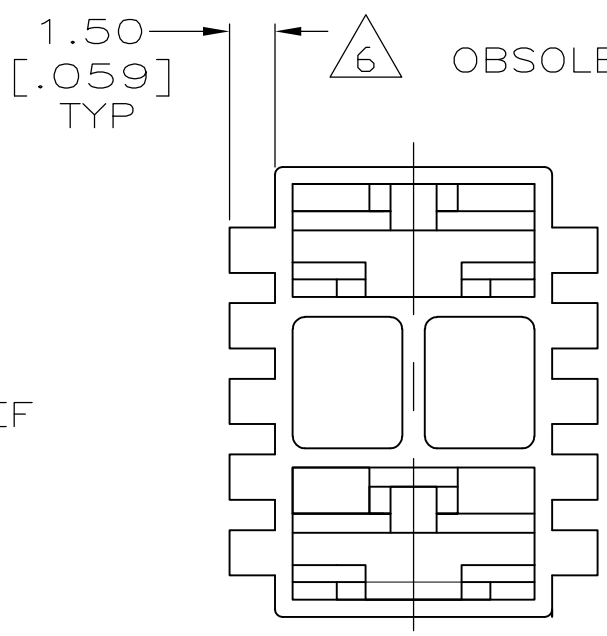
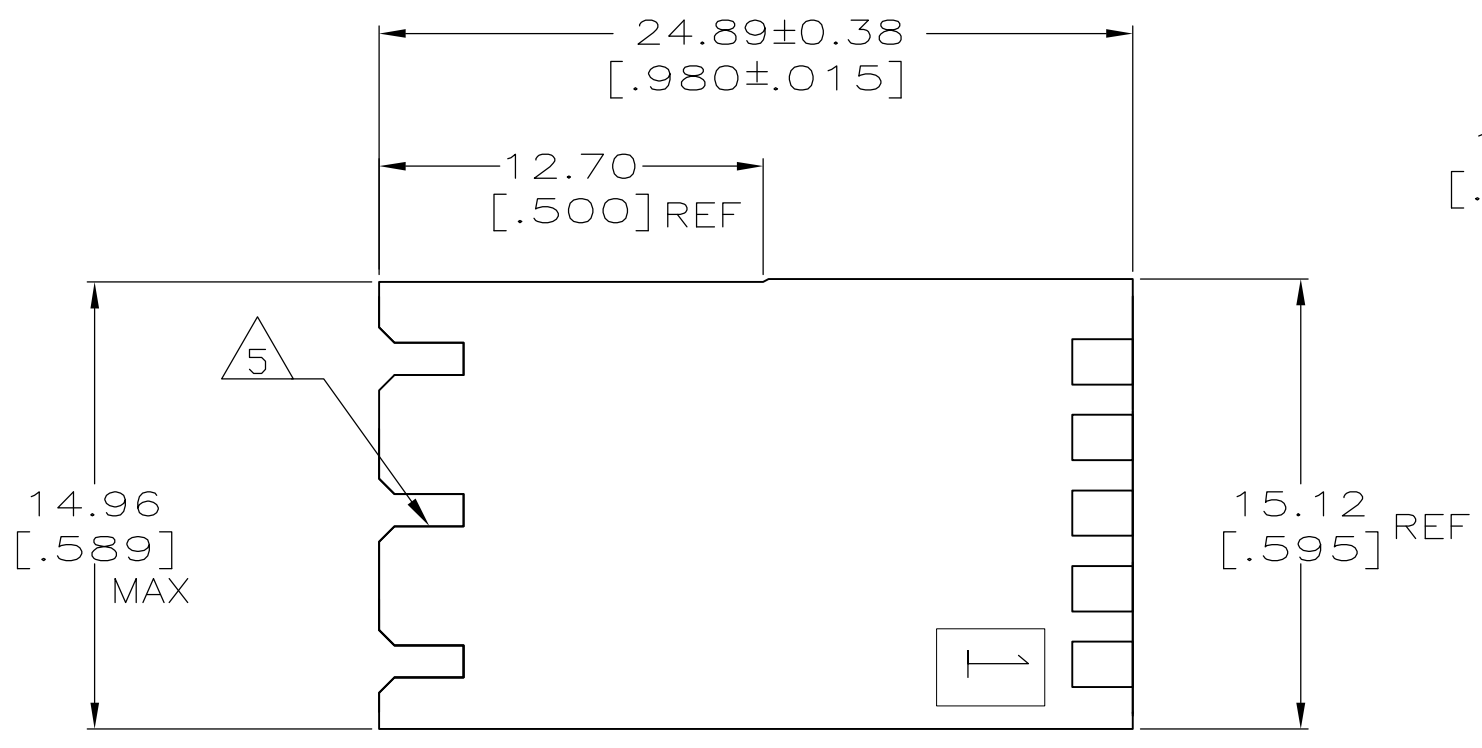
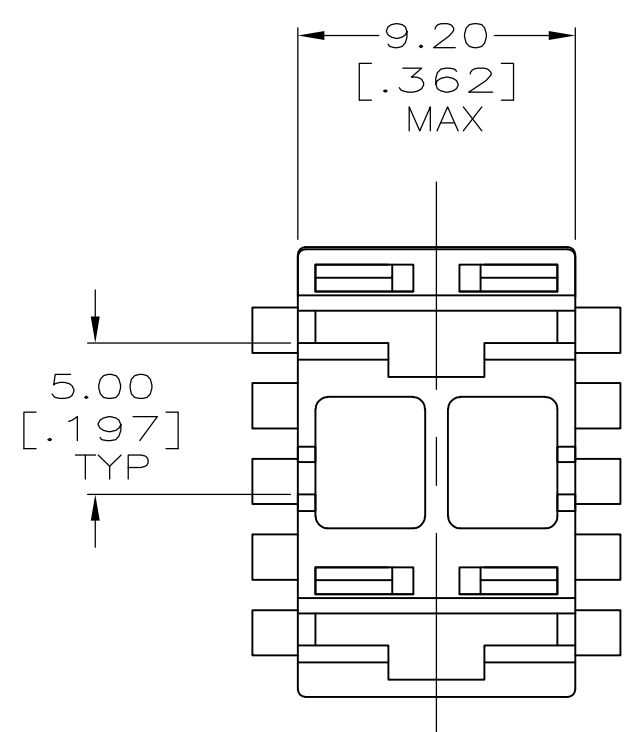


- ACCEPTS RECEPTACLE CONTACTS 1217378(#18-#22 AWG SINGLE WIRE), 1217094(#18-#14 AWG SINGLE WIRE) AND 1217095 (TWO #18'S OR TWO #16'S OR A #16 + #18 COMBINATION).
- FRONT AND BACK VIEWS SHOW ONLY THE GRIPPERS. FOR KEYING AND POLARIZATION FEATURES, SEE SPECIAL FRONT VIEW.
- PART NUMBER 521782-1 SHOWN

△ PRELIMINARY - NOT FOR PRODUCTION

△ TAB SHOULDER SLOT IS OPTIONAL, ON BOTH SIDES, FOR THE DUMMY CIRCUIT ONLY.

△ OBSOLETE



---	2	NATURAL	1D, 3D	NONE	△ 6	521782-7
---	2	BLUE	1C	1B	△ 6	521782-6
---	2	NATURAL	1D, 3D	NONE	△ 4	521782-5
---	2	BLUE	1C	1B	△ 4	521782-4
---	2	BLACK	NONE	NONE	△ 4	521782-3
---	1	BLUE	NONE	NONE	△ 4	521782-2
03-A	2	BLUE	1C, 2D	1B	△ 4	521782-1
RAST5 DESIGNATION	BLOCKED CIRCUIT	FINISH/COLOR	KEYING	POLARIZATION FEATURES	PART NO.	

THIS DRAWING IS A CONTROLLED DOCUMENT.

DWN: MICHAEL S. FEHER 18JAN2005
 CHK: RAYMOND LONDON 18JAN2005
 APVD: RAYMOND LONDON 18JAN2005

TE Connectivity

HOUSING, RECEPT, POSITIVE-LOCK, MKIII, 6.35 [.250] SERIES, 3 POSITION

MATERIAL: NYLON FINISH: SEE TABLE WEIGHT: A2 00779 C=521782

CUSTOMER DRAWING SCALE: 4:1 SHEET: 1 OF 1 REV: C