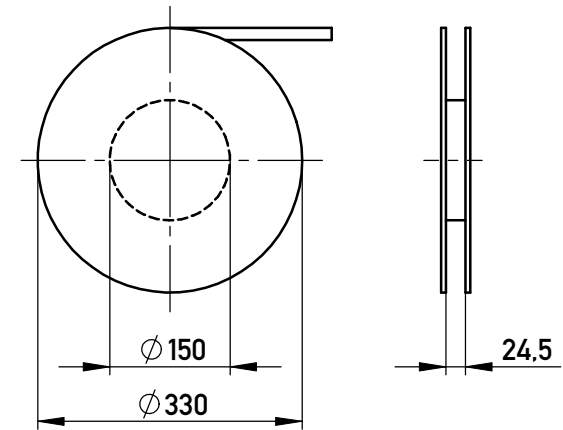
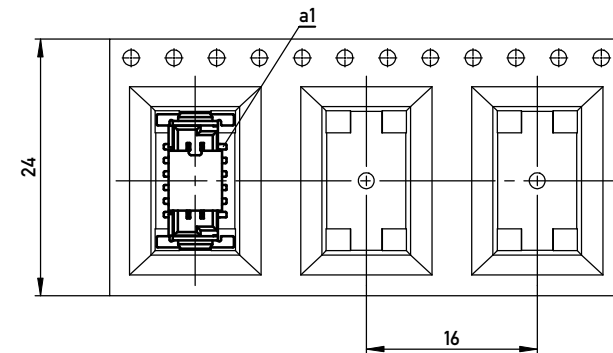


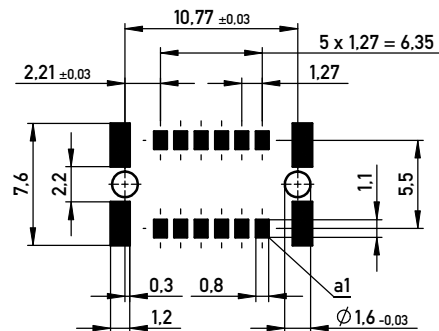
Verpackt in Gurtverpackung - *Tape on Reel Packaging*
 Verpackungseinheit: 280 Stück - *Packaging unit: 280 pcs*



Abspulrichtung - *Reel off Direction*



Leiterplatten-Layout Vorschlag für SMT
PCB-Layout Proposal for SMT



BA 8-03 - Standard Bauhöhe
type 8-03 - Standard Assembly Height

Information:	Tolerances	 All Dimensions in mm	Scale	3:1
	All rights reserved. Only for Information. To ensure that this is the latest version of this drawing, please contact one of the ERNI companies before using.		Designation Messertl. SMC-Q-12-SMD-BA8-03 <i>Male SMC-Q 12-SMD-type8-03</i>	
Subject to modification without prior notice. Drawing will not be updated.		www.ERNI.com		244854
b	27.10.2010	Class		SMCQ
Index	Date			I A3

Copyright by ERNI GmbH.
 Proprietary notice pursuant to ISO 16100 to be observed.