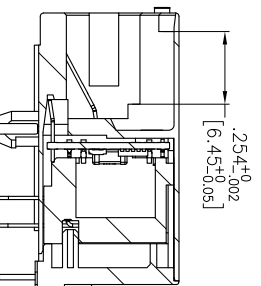
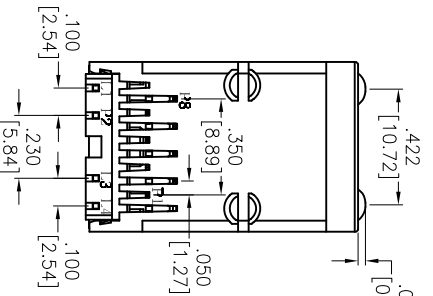
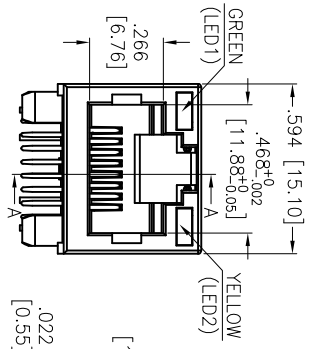
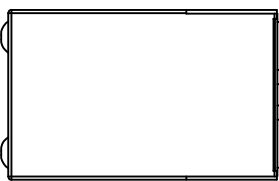
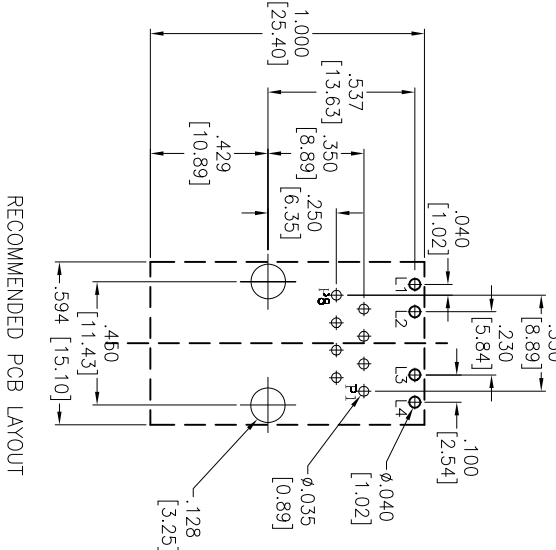
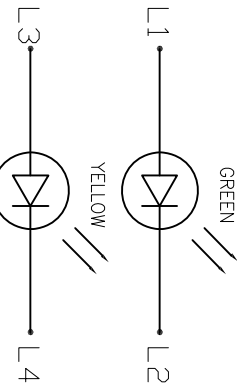


Rev	AWO #	Description	Date	Appr
-		RELEASED	8/15/12	
A		REDRAWN	8/7/13	
B		ADDED SHAPE & DIM.	10/28/14	AV/SL
C		REVISED DIM.	11/7/14	AV/SL

APPROVED: _____
 DATE: _____ TITLE: _____



X	PLATING
0	15 µin Gold
1	30 µin Gold
2	50 µin Gold

SPECIFICATIONS:
 Material: Hi-Temp Thermoplastic, rated UL 94V-0
 Insulator color: Black
 Contacts: Phosphor Bronze
 Contact Plating:
 Gold Flash over Nickel underplate on contact area,
 Tin over Copper underplate on tails
 (See chart for thickness).
 Electrical:
 Insulation resistance: 100 Mohms min @ 400 VDC
 Dielectric withstanding voltage: 1500 VAC for 1 min
 Environmental:
 Lead free, RoHS compliant.

UNLESS OTHERWISE SPECIFIED
 ALL DIMENSIONS ARE INCHES [MM]
 TOLERANCES: EXCEPT AS NOTED
 INCHES HOLES
 .X ± .10 Ø.X ± .10
 .XX ± .020 Ø.XXX ± .015
 .XXX ± .015 Ø.XXXX ± .010

ADAM TECH
 909 Railway Avenue, Union, NJ 07083
 Phone: 908-687-5000 Fax: 908-687-5710

APPROVALS	DATE	TITLE	SIZE	PART NO.	REV.
DRAWN AY	8/15/12	MODULAR JACK, 1 PORT, 8P8C	X	MTJ-88SX1-LH-M5D-HT	C
CHECKED AL	8/15/12	W/LED1 GREEN, LED2 YELLOW			
APPROVED					



6

5

4

3

2

1

Rev	AWO #	Description	Date	Appr
		SEE SHT 1 OF 2 FOR REVISION		

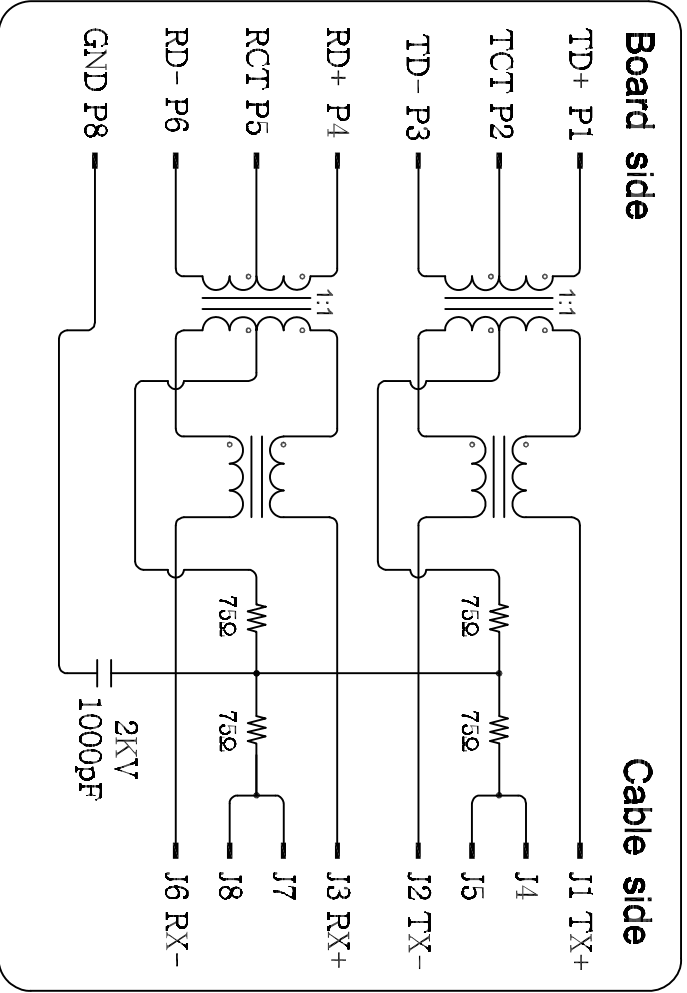
APPROVED: _____

DATE: _____ TITLE: _____

D

Board side

Cable side



C

ELECTRICAL SPECIFICATIONS

- 1 TR:(100KHz,0.1V):
Pins:(P1-P3):(J1-J2)=1:1±3%
Pins:(P4-P6):(J3-J6)=1:1±3%
- 2 LK:(100KHz,100πV,8mA, Dc Bias)
Pins:(P1-P3),(P4-P6)=350ΩH Minimum
- 3 DCR:
Pins:(J1-J2),(J3-J6)=1.2 Ohm Maximum
- 4 HIPOT:
Pins:(P1,P3)To(J1,J2)=1500VAC&2250VDC For 60s
Pins:(P4,P6)To(J3,J6)=1500VAC&2250VDC For 60s
- 5 INSERTION LOSS:
-1.0dB Maximum At 1MHz To 100MHz
- 6 RETURN LOSS:
-18dB Minimum At 1MHz To 30MHz;
-18dB Minimum At 30MHz To 60MHz;
-12dB Minimum At 60MHz To 80MHz;
- 7 CROSS TALK:
-30dB Minimum At 1MHz To 100MHz
- 8 COMMON TO COMMON MODE REJECTION:
-30dB Minimum At 1MHz To 100MHz

A

UNLESS OTHERWISE SPECIFIED ALL DIMENSIONS ARE IN INCHES [MM]	
TOLERANCES: EXCEPT AS NOTED	
INCHES	HOLES
.X ±.10	Ø.X ±.10
.XX ±.020	Ø.XXX ±.015
.XXX ±.015	Ø.XXX ±.010
APPROVALS	DATE
DRAWN AY	8/15/12
CHECKED AL	8/15/12
APPROVED	

ADAM TECH
 909 Ratway Avenue, Union, NJ 07083
 Phone: 908-687-5000 Fax: 908-687-5710

TITLE: MODULAR JACK, 1 PORT, 8P8C
 W/LED1 GREEN, LED2 YELLOW

- SIZE PART NO. REV.
- X MTJ-88SX1-LH-M5D-HT C

6

5

4

3

2

1

REF: S00101C	SCALE: NTS	SHEET 2 OF 2
--------------	------------	--------------