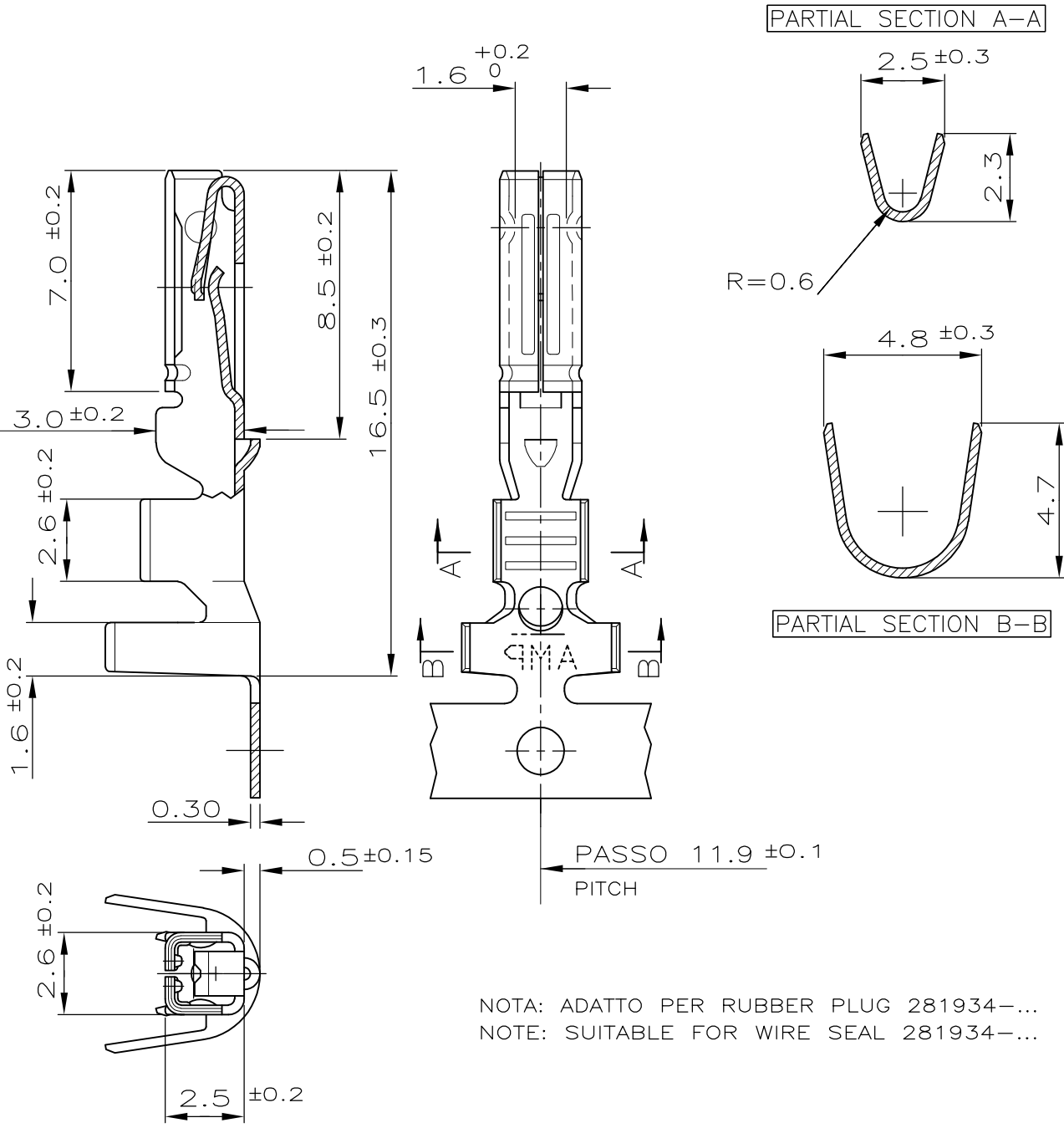

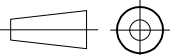


LOC	DIST	REVISIONS					
I	—	P	LTR	DESCRIPTION	DATE	DWN	APVD
			B1	REVISED PER ECO-11-005033	2APR11	RK	HMR



NOTA: ADATTO PER RUBBER PLUG 281934-...
 NOTE: SUITABLE FOR WIRE SEAL 281934-...

CUSTOMER DWG. FOR REFERENCE ONLY		DISEGNO PER CLIENTE SOLO PER RIFERIMENTO		
DIAM. ISOLANTE (INS. DIA. RANGE)	RANGO FILO (WIRE RANGE)	PRE-STAGNATO / PRE-TIN	BRONZO FOSF./PH.BRONZE	282403-1
SEE NOTE	0.35-0.5mm ²	FINITURA (FINISH / COLORE COLOUR)	MATERIALE (MATERIAL)	NUMERO (PART NUMBER)

DIMENSIONS: mm	DWN	6-92	MATERIAL	FINISH		
	C.BERTINI					
TOLERANCES UNLESS OTHERWISE SPECIFIED:	CHK	6-92	 TE Connectivity			
	A.BRUNI					
0 PLC ± - 1 PLC ± 0.3 2 PLC ± - 3 PLC ± - 4 PLC ± - ANGLES ± 2°	APVD	-	NAME MINI MIC SRS. REC. CONTACT			
	PRODUCT SPEC	-				
	APPLICATION SPEC	-	SIZE	CAGE CODE	DRAWING NO	RESTRICTED TO
	WEIGHT	-	A4	00779	C-282403	-
CUSTOMER DRAWING			SCALE	SHEET	REV	
			5:1	1 OF 1	B1	

THIS DRAWING IS UNPUBLISHED. ALL RIGHTS RESERVED. RELEASED FOR PUBLICATION BY -