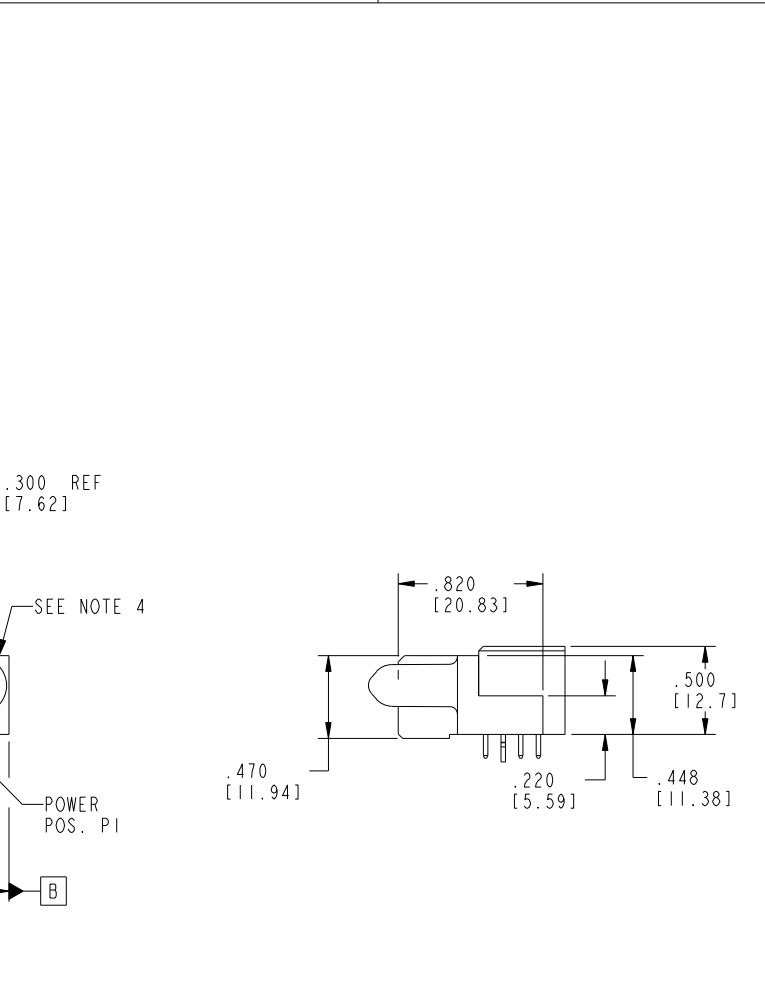
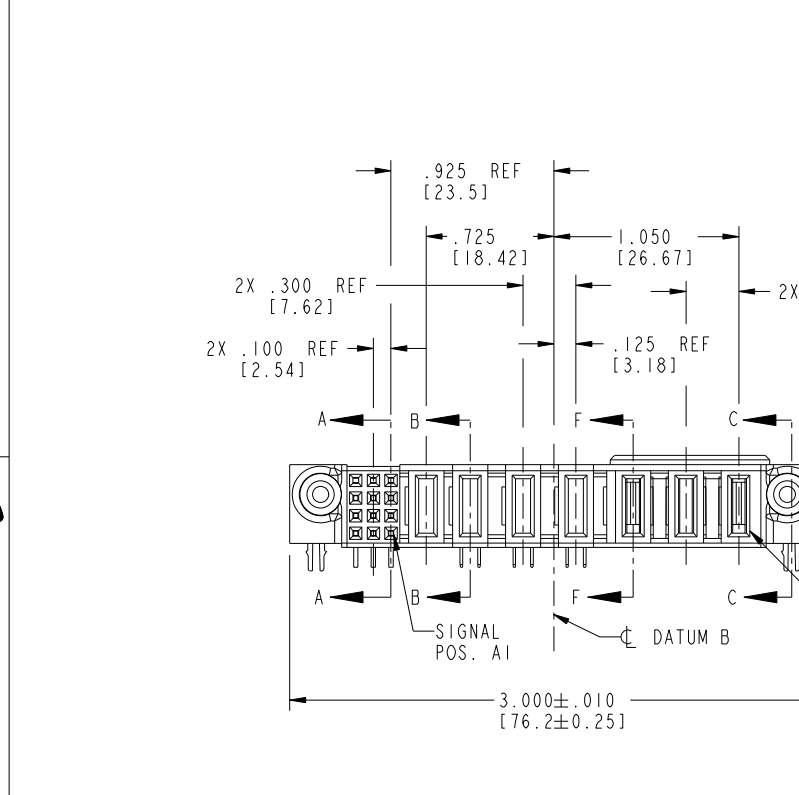
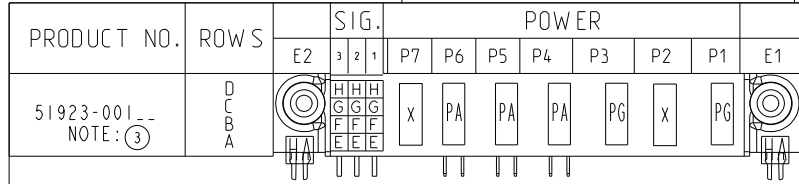


Tous droits strictement reserves. Reproduction ou communication a des tiers interdite sous quelque forme que ce soit sans autorisation écrite du propriétaire. Propriete de c FCI. Droits de reproduction FCI.

All rights strictly reserved. Reproduction or issue to third parties in any form whatever is not permitted without written authority from the proprietor. Property of FCI. Copyright FCI.



CODE	DIM "M" MATING LENGTH	CONTACT TYPE
E	N/A [N/A]	SIGNAL
F	N/A [N/A]	SIGNAL
G	N/A [N/A]	SIGNAL
H	N/A [N/A]	SIGNAL
PA	.042 [1.07]	POWER
PG	.042 [1.07]	POWER
HA	N/A [N/A]	HOLD-DOWN
X	OMITTED	OMITTED

mat'l code				SEE NOTE 2		tolerances unless otherwise specified		CUSTOMER	
ltr	ecn no.	dr	date	linear	.XX±.01/0.X±0.3	angles	0°±2°	COPY	
A	V03-0129	TAB	01/29/03	linear	.XXX±.005/0.XX±0.13	angles	0°±2°	projection	
B	DG05-0192	SJ	06/27/05	linear	.XXX±.002/0.XXX±0.051	angles	0°±2°	INCH/MM	
C	DG08-0273	WD	12/10/08	linear	.XXX±.002/0.XXX±0.051	angles	0°±2°	scale	
				dr	T. BRUNGARD 01/29/03			1:1	
				enrg	M. MOSTOLLER 01/29/03				
				chr	M. MOSTOLLER 01/29/03				
				appd	M. MOSTOLLER 01/29/03				
sheet index	revision sheet	C	C	C	C	C	C		
		1	2	3	4				

CUSTOMER		FCI		www.fciconnect.com	
COPY		projection		title	
				3ACP + 4P + 12S	
				R/A SOLDER RECEPTACLE	
		product family		PwrBlade	
		size		code	
		dwg no		213	
		scale		sheet	
		1:1		1 of 4	
		A		51923-001	
		cage code		22526	

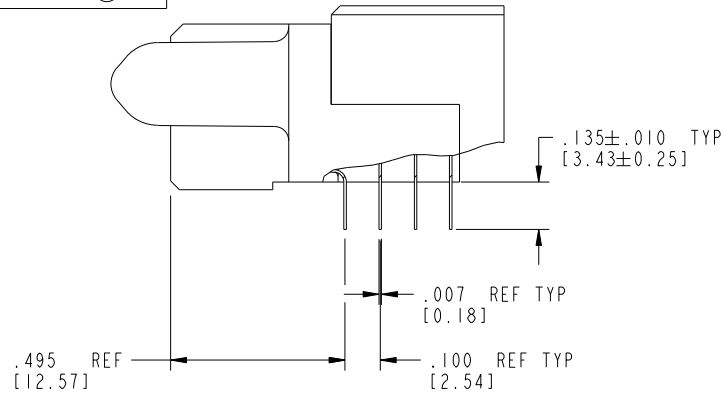
1 | 2 | Pro/E | 3 | 4 |

Tous droits strictement réservés. Reproduction ou communication à des tiers interdite sous quelque forme que ce soit sans autorisation écrite du propriétaire. Propriété de c.FCI. Droits de reproduction FCI.

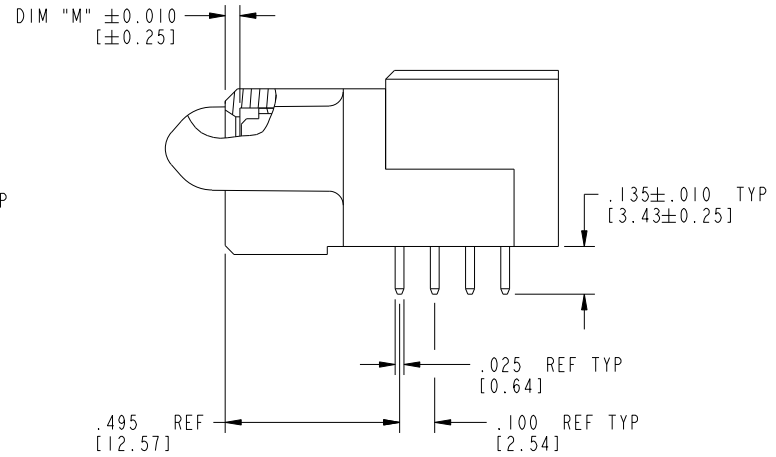


All rights strictly reserved. Reproduction or issue to third parties in any form whatsoever is not permitted without written authority from the proprietor. Property of FCI. Copyright FCI.

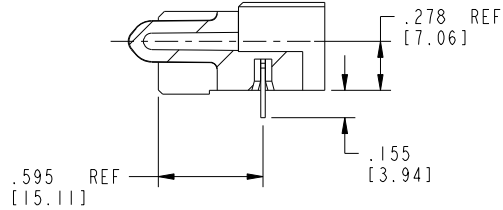
PRODUCT NUMBER
51923-001--
NOTE: ③



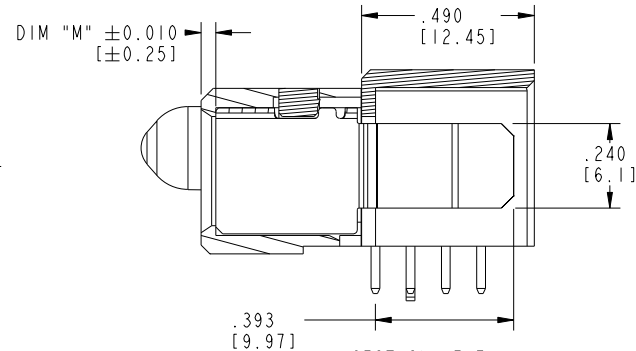
BROKEN-OUT SECTION A-A
SCALE 2:1



BROKEN-OUT SECTION B-B
SCALE 2:1



SECTION C-C



SECTION F-F
SCALE 2:1

mat'l code		SEE NOTE 2		tolerances unless otherwise specified		CUSTOMER		 www.fciconnect.com	
ltr	ecn no.	dr	date	linear	.XX±.01/0.X±0.3	COPY		title	
C					.XXX±.005/0.XX±0.13	projection		3ACP + 4P + 12S	
				angles	.XXX±.0020/0.XXX±0.051	 INCH/MM		R/A SOLDER RECEPTACLE	
				dr	0°±2°	scale		product family	
				enrg	T. BRUNGARD 01/29/03	1:1		PwrBlade	
				chr	M. MOSTOLLER 01/29/03	A		code	
				appd	M. MOSTOLLER 01/29/03			213	
sheet index		revision sheet						size	
								dwg no	
								51923-001	
								sheet	
								2 of 4	

cage code 22526

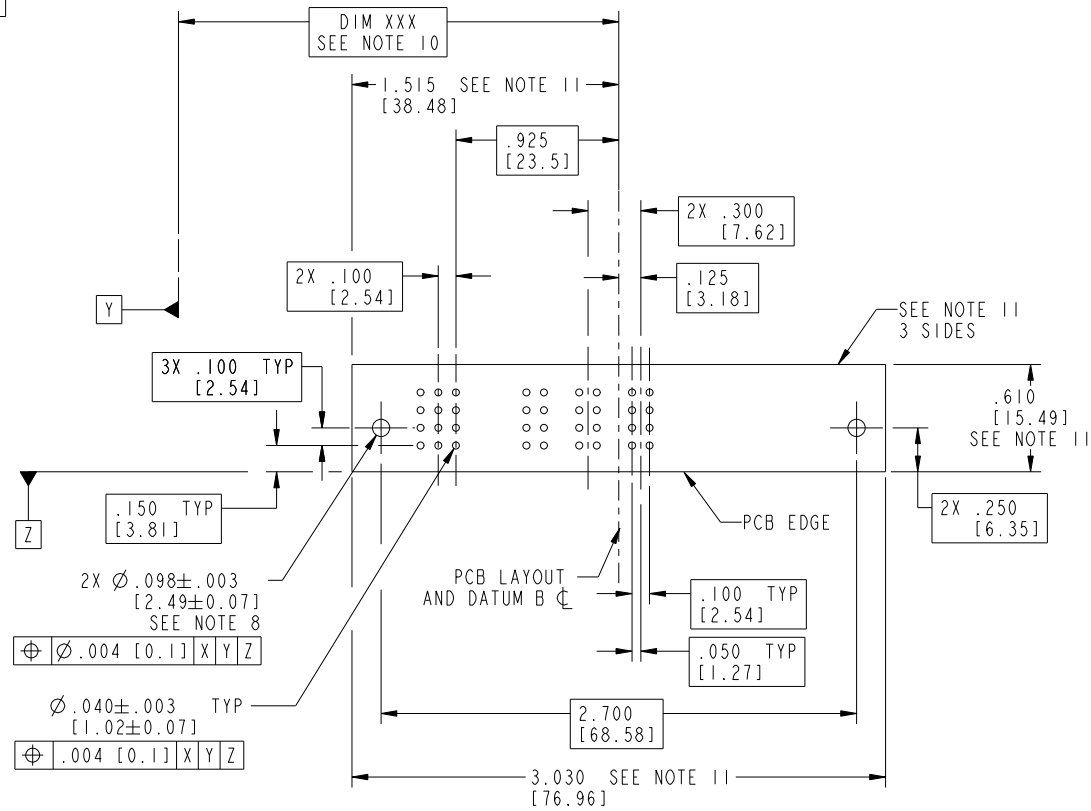
Pro/E

Tous droits strictement reserves. Reproduction ou communication a des tiers interdite sous quelque forme que ce soit sans autorisation écrite du propriétaire. Propriete de c FCI. Droits de reproduction FCI.



All rights strictly reserved. Reproduction or issue to third parties in any form whatsoever is not permitted without written authority from the proprietor. Property of FCI. Copyright FCI.

PRODUCT NUMBER
51923-001--
NOTE: ③



mat'l code				SEE NOTE 2		tolerances unless otherwise specified		CUSTOMER		FCI	
lfr	ecn no.	dr	date	linear	.XX±.01/0.X±0.3	projection		COPY		www.fciconnect.com	
C					.XXX±.005/0.XX±0.13	INCH/MM		title		3ACP + 4P + 12S	
				angles	.XXX±.0020/0.XXX±0.051	scale		product family		PwrBlade	
				dr	0°+2°	1:1		size		213	
				engr	T. BRUNGARD 01/29/03			dwg no		3 of 4	
				chr	M. MOSTOLLER 01/29/03			A		51923-001	
				appd	M. MOSTOLLER 01/29/03						
sheet index	revision sheet										

cage code 22526

Pro/E

Tous droits strictement reserves. Reproduction ou communication a des tiers interdite sous quelque forme que ce soit sans autorisation écrite du propriétaire. Propriete de c FCI. Droits de reproduction FCI.



All rights strictly reserved. Reproduction or issue to third parties in any form whatever is not permitted without written authority from the proprietor. Property of FCI. Copyright FCI.

PRODUCT NUMBER
51923-001--
NOTE: ③

NOTES:

1. DIMENSIONS AND TOLERANCES ARE IN ACCORDANCE WITH ASME Y14.5M, 1994 UNLESS OTHERWISE SPECIFIED.

CONNECTOR NOTES:

- ② HOUSING MATERIAL: UL 94 V-0 GLASS FILLED HIGH-TEMP THERMOPLASTIC
POWER CONTACT MATERIAL: COPPER ALLOY
SIGNAL PIN MATERIAL: COPPER ALLOY
- ③ SEE ITEM 5 & 6 IN PRINT 10064183 FOR PLATING SPEC OF 51923-001 AND 51923-001LF RESPECTIVELY.
- ④ MANUFACTURER'S NAME, P/N, AND DATE CODE TO APPEAR ON THIS SURFACE.
- 5. PRODUCT SPECIFICATION GS-12-149.
APPLICATION SPECIFICATION BUS-20-067.
- 6. PACKAGED IN TRAYS.

PCB NOTES:

- 7. ALL HOLE DIAMETERS ARE FINISHED HOLE SIZE.
- ⑧ MOUNTING HOLES, WHERE APPLICABLE, ARE UNPLATED.
- ⑨ $\varnothing .0453 \pm .0010$ [1.151 \pm 0.025] DRILLED HOLES PLATED WITH
.0003 [0.008] MIN SnPb OVER .001 [0.03]
TO .003 [0.08] Cu PLATING TO ACHIEVE
 $\varnothing .040 \pm .003$ [1.02 \pm .07] HOLE.
- ⑩ "DIM XXX" TO BE DETERMINED BY THE CUSTOMER.
- ⑪ CONNECTOR KEEP-OUT ZONE.
- 12. A \triangle SYMBOL WILL BE NEXT TO ANY DIMENSION, VIEW, OR NOTE WHICH HAS BEEN MODIFIED WITH THE CURRENT DRAWING REVISION.

mat'l code		SEE NOTE 2		tolerances unless otherwise specified		CUSTOMER		FCI	
ltr	ecn no.	dr	date	linear	.XX+ .01/0.X+0.3	COPY		www.fciconnect.com	
C				projection	.XXX+ .005/0.XX+0.13	title		3ACP + 4P + 12S	
				angles	.XXX+ .0020/0.XXX+0.051	R/A SOLDER RECEPTACLE			
				dr	0°+2°	product family		PwrBlade	code
				enrg	T. BRUNGARD 01/29/03	size		dwg no	213
				chr	M. MOSTOLLER 01/29/03	scale		sheet	4 of 4
				appd	M. MOSTOLLER 01/29/03	A		51923-001	
sheet index	revision sheet								

cage code 22526