



Connecting piece M25/M25 for connection of 2 enclosures, Metal, with hexagon nut

| | |
|---|-------------------------------------|
| product brand name | SIRIUS ACT |
| product designation | Connection piece |
| design of the product | M25/M25 for connecting 2 enclosures |
| product type designation | 3SU1 |
| General technical data | |
| protection class IP | IP66, IP67, IP69(IP69K) |
| Installation/ mounting/ dimensions | |
| mounting height | 3.6 mm |
| Accessories | |
| material of accessory | Metal |
| color of accessory | Silver |
| Certificates/ approvals | |
| General Product Approval | Declaration of Conformity |



[Miscellaneous](#)



| | | |
|---------------------------|-------------------|-------------------|
| Declaration of Conformity | Test Certificates | Marine / Shipping |
|---------------------------|-------------------|-------------------|

[Miscellaneous](#)

[Type Test Certificates/Test Report](#)



| | |
|-------------------|-------|
| Marine / Shipping | other |
|-------------------|-------|



[Confirmation](#)

Further information

Information- and Downloadcenter (Catalogs, Brochures,...)

<https://www.siemens.com/ic10>

Industry Mall (Online ordering system)

<https://mall.industry.siemens.com/mall/en/en/Catalog/product?mfb=3SU1950-0HL10-0AA0>

Cax online generator

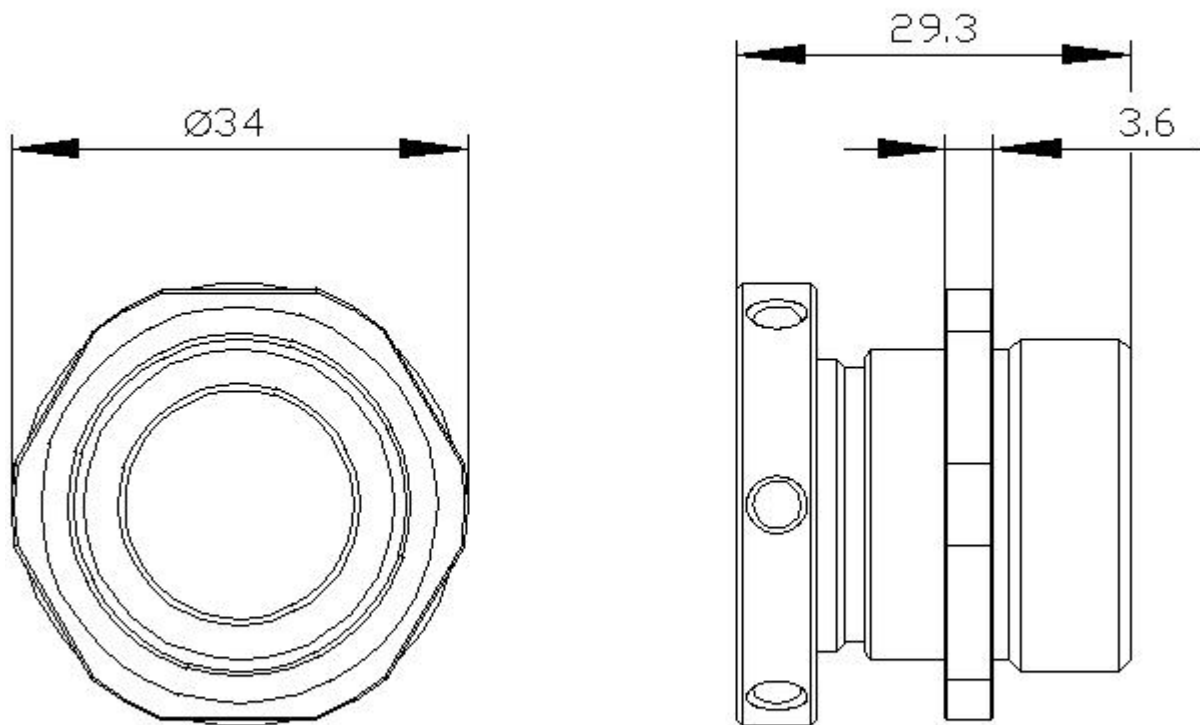
<http://support.automation.siemens.com/WW/CAXorder/default.aspx?lang=en&mfb=3SU1950-0HL10-0AA0>

Service&Support (Manuals, Certificates, Characteristics, FAQs,...)

<https://support.industry.siemens.com/cs/ww/en/ps/3SU1950-0HL10-0AA0>

Image database (product images, 2D dimension drawings, 3D models, device circuit diagrams, EPLAN macros, ...)

http://www.automation.siemens.com/bilddb/cax_de.aspx?mfb=3SU1950-0HL10-0AA0&lang=en



last modified:

5/15/2020 