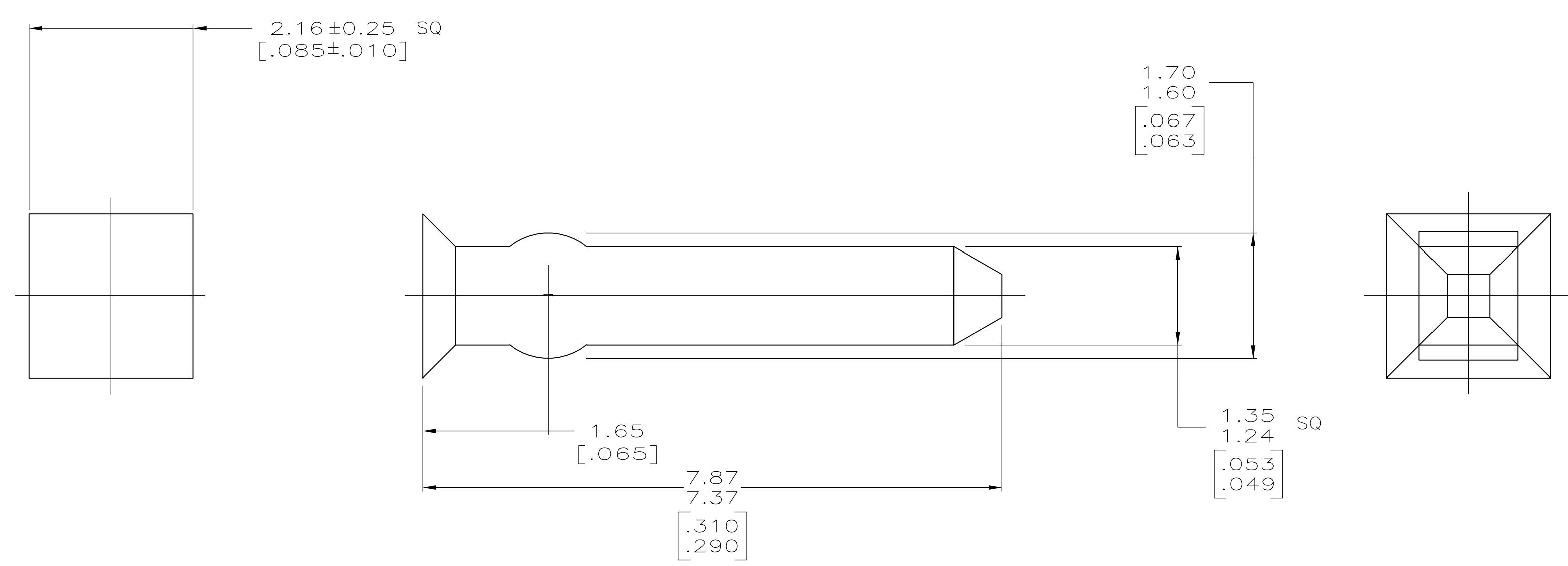
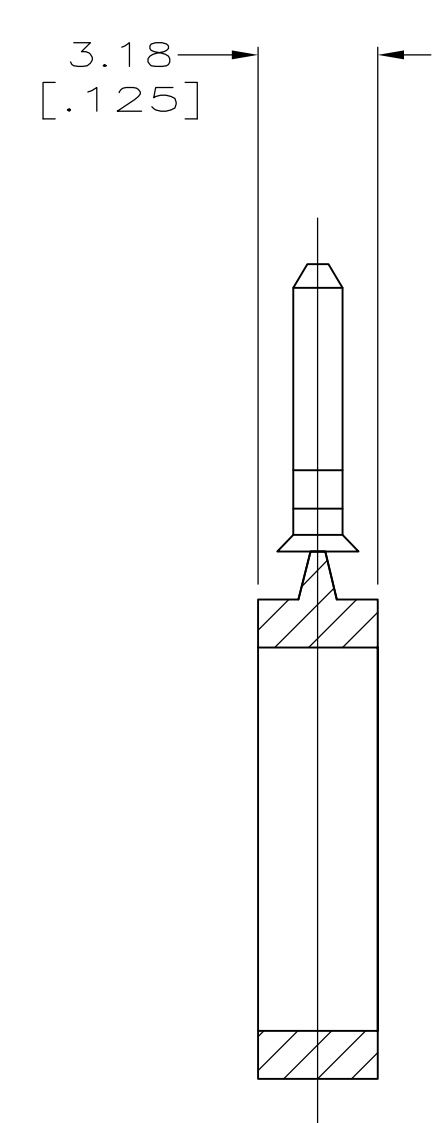


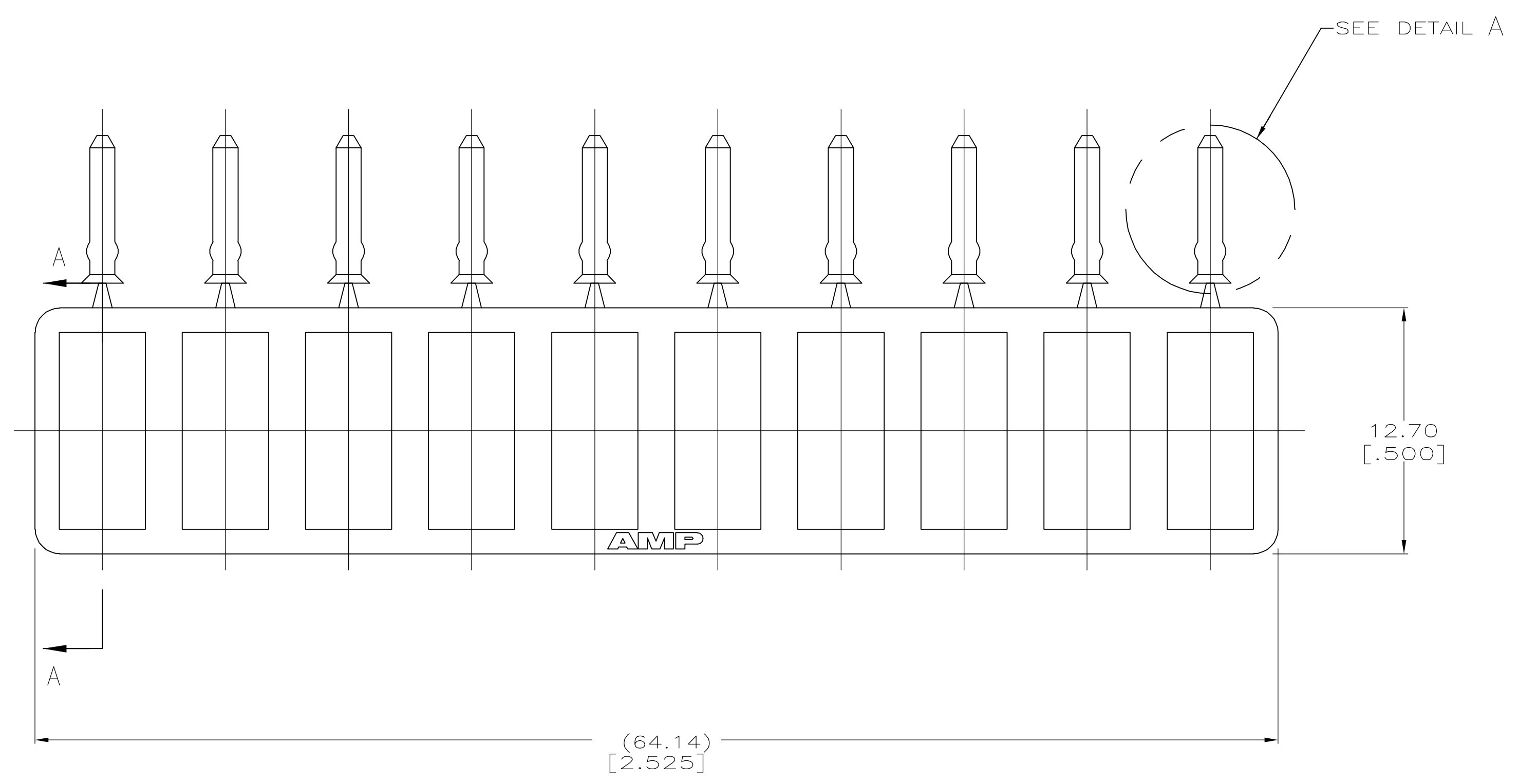
LOC		DIST		REVISIONS			
P	LTR	DESCRIPTION	DATE	DWN	APPD		
C1		REVISED PER ECO-05-012730	08NOV05	KW	DB		



DETAIL A  
 SCALE 20:1  
 ROTATED 90° CW



SECTION A-A



641623-1  
 PART NUMBER

METRIC

THIS DRAWING IS A CONTROLLED DOCUMENT.		DWN T. BECK 4-4-91	 Tyco Electronics Corporation Harrisburg, PA 17105-3608
DIMENSIONS: mm [INCHES]		CHK R. SWING 4-4-91	
TOLERANCES UNLESS OTHERWISE SPECIFIED:		APPD G. MILLER 4-4-91	NAME KEYING PLUG WITH CARRIER STRIP, MTA 156
0 PLC ± -	1 PLC ± -	PRODUCT SPEC	APPLICATION SPEC
2 PLC ± -	3 PLC ± 0.13 [.005]	WEIGHT	RESTRICTED TO
4 PLC ± -	ANGLES ± -	FINISH	SIZE CAGE CODE DRAWING NO
MATERIAL NYLON 6/6, NATURAL			A1 00779 C=641623
CUSTOMER DRAWING		SCALE 5:1	SHEET 1 OF 1 REV C1