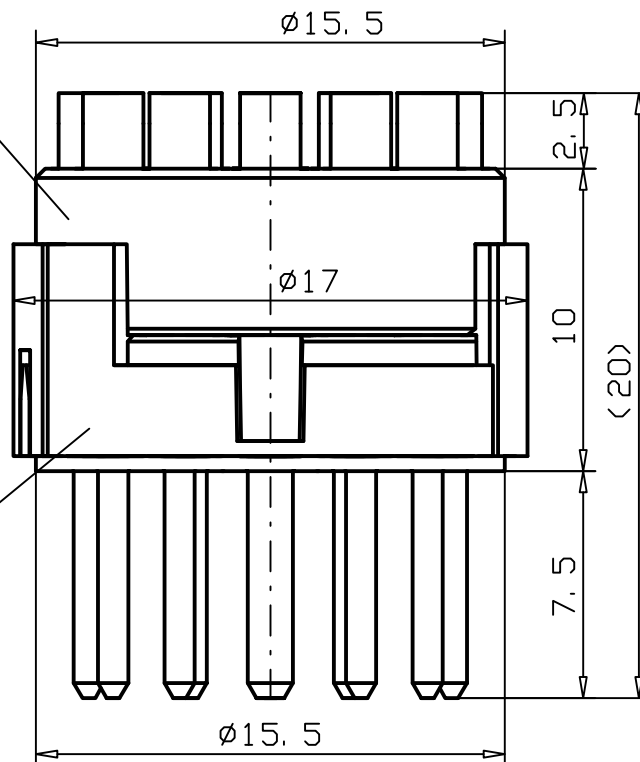


Lower part, Pins
Unterteil, Stifte



Upper part, Pins
Oberteil, Stifte

Notes:

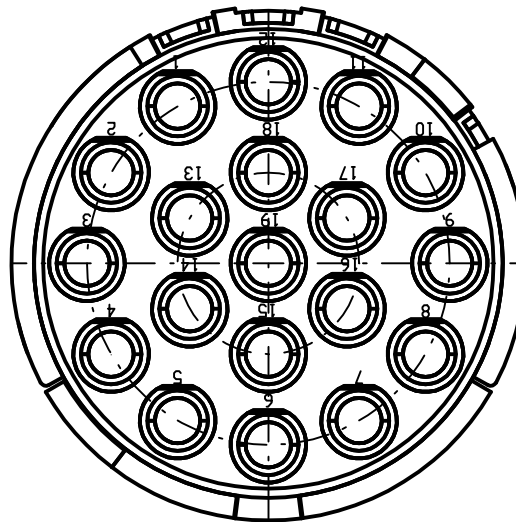
Packaging units: 5 pcs

Tolerances (unless specified): DIN ISO 2768 m

Bemerkungen:

Verpackungseinheit: 5 Stück

Toleranzen (sofern nichts anderes angegeben ist):
DIN ISO 2768 m



DESCRIPTION
EC NO: WEU2008-0019
DRWN: BBRAUCH 2008/05/13
CH'KD: LS 2008/05/23
APPR: REISSNER 2008/05/27

QUALITY SYMBOLS

$\nabla = 0$

$\nabla C = 0$

GENERAL TOLERANCES (UNLESS SPECIFIED)

	mm	INCH
4 PLACES	\pm ----	\pm ----
3 PLACES	\pm ----	\pm ----
2 PLACES	\pm ----	\pm ----
1 PLACE	\pm ----	\pm ----
ANGULAR \pm --- °		

DRAFT WHERE APPLICABLE
MUST REMAIN
WITHIN DIMENSIONS

DIMENSION STYLE

MM

DRAWN BY DATE
BB 2008/05/13

CHECKED BY DATE

APPROVED BY DATE
RE 2008/05/26

MATERIAL NO.
1202320053

SIZE
A4

SCALE

4:1

DESIGN UNITS

METRIC

FIRST ANGLE PROJECTION

M23 SIG INSERT MALE
19P SOLDER
P/N: KISL6-55



MOLEX INCORPORATED

DOCUMENT NO.
SD-120232-053

SHEET NO.
1 OF 1

THIS DRAWING CONTAINS INFORMATION THAT IS PROPRIETARY TO MOLEX INCORPORATED AND SHOULD NOT BE USED WITHOUT WRITTEN PERMISSION