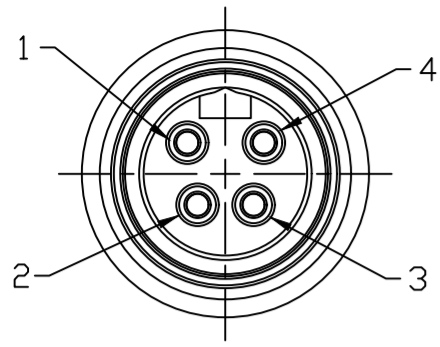
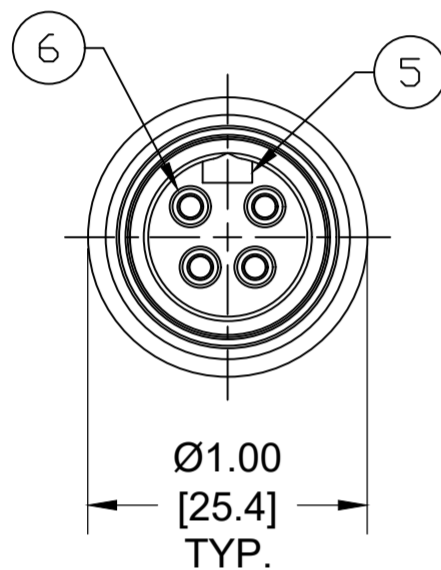


MALE INSERT FRONT VIEW

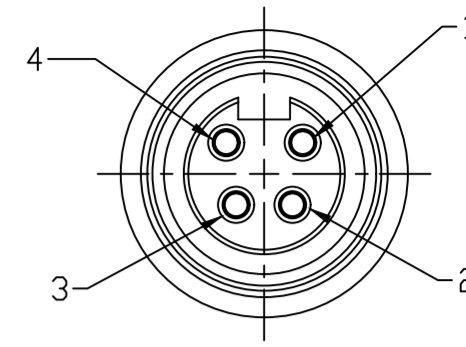


1-BLACK
2-WHITE
3-RED
4-GREEN/YELLOW

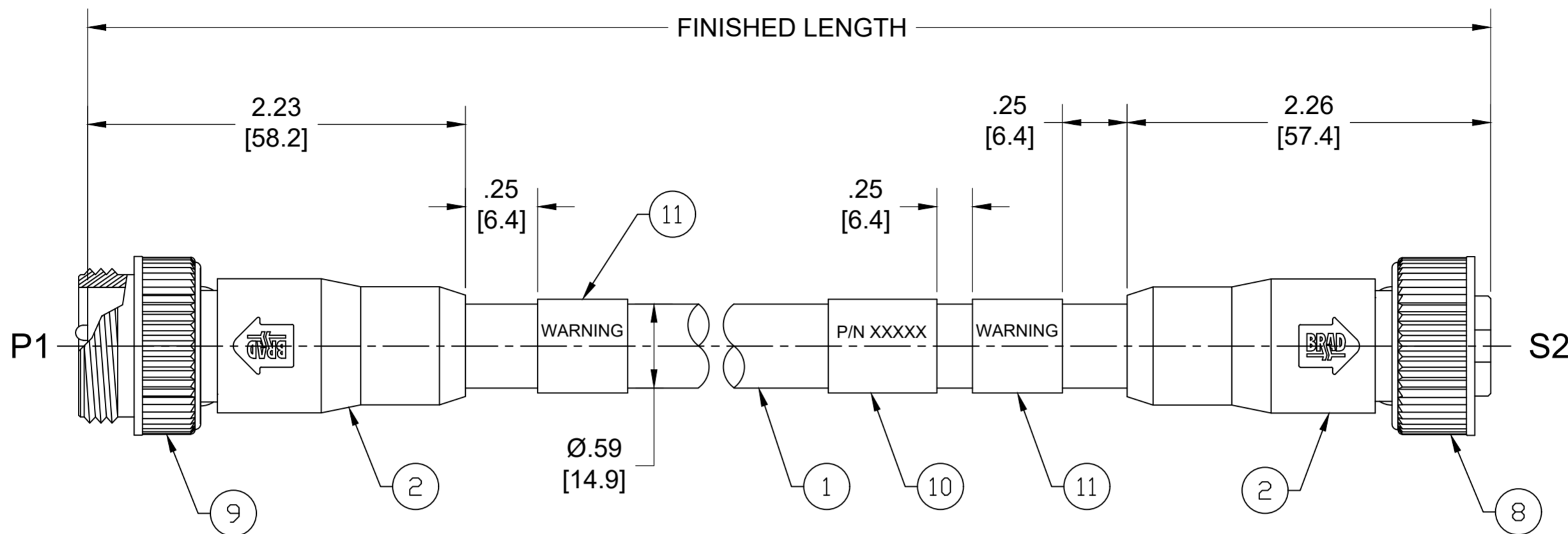


| PART NO | ENGINEERING NO. | FINISHED LENGTH |
|------------|-----------------|-------------------|
| 1300620120 | 114030A46M010 | 1M [3 FT 3 IN] |
| 1300620141 | 114030A46M300 | 30M [98 FT 5 IN] |
| 1300621062 | 114030A46M840 | 84M [275 FT 7 IN] |

FEMALE INSERT FRONT VIEW



1-BLACK
2-WHITE
3-RED
4-GREEN/YELLOW



NOTES:

- MATERIAL: AS NOTED
- FINISH: AS NOTED
- ELECTRICAL:
VOLTAGE: 483V PER IEC60664 (D)
600V PER UL2237
CURRENT: 15A
- TEMP RATING: -20°TO +105°C
- PROTECTION: IP67 (WHEN MATED)
- COUPLING THREAD: 7/8"-16UN
- UL LISTED FILE: E258922
- ALL DIMENSIONS ARE FOR REFERENCE UNLESS TOLERANCED OR NOTED OTHERWISE

| P1 | | S2 | |
|----|--------------|----|--|
| 1 | BLACK | 1 | |
| 2 | WHITE | 2 | |
| 3 | RED | 3 | |
| 4 | GREEN/YELLOW | 4 | |

WIRING DIAGRAM

PART NUMBER LEGEND

114030A46M003

FINISHED LENGTH:
M005= 0.5 METER
M010= 1 METER
M100= 10 METER

(D)

CABLE LENGTH TOLERANCES

| | |
|--------------------------|-------------------------|
| <.3M [1FT]: | +19mm-0 [+ .75in-0] |
| .3 - .9M [1 - 3FT]: | +44.5mm-0 [+1.75in-0] |
| .9 - 1.8M [3 - 6FT]: | +55.6mm-0 [+2.19in-0] |
| 1.8 - 3.7M [6 - 12FT]: | +88.9mm-0 [+3.50in-0] |
| 3.7 - 7.3M [12 - 24FT]: | +165.1mm-0 [+6.50in-0] |
| 7.3-14.6M [24 - 48FT]: | +317.5mm-0 [+12.50in-0] |
| 14.6 - 30.5M [48-100FT]: | +622.3mm-0 [+24.50in-0] |
| OVER 30M [100FT]: | +2% OF FINISHED LENGTH |

| | | | |
|------|---------------------|---------------|------------------|
| 11 | WARNING LABEL | VINYL | ORANGE/BLACK |
| 10 | WRAP LABEL | VINYL | BLACK/YELLOW |
| 9 | MALE COUPLING NUT | ZINC DIE CAST | BLACK-E-COAT |
| 8 | FEMALE COUPLING NUT | ZINC DIE CAST | BLACK-E-COAT |
| 7 | FRICTION RING | NYLON | WHITE |
| 6 | PIN CONTACT | COPPER ALLOY | GOLD OVER NICKEL |
| 5 | MALE INSERT | TPE | BLACK |
| 4 | SOCKET CONTACT | COPPER ALLOY | GOLD OVER NICKEL |
| 3 | FEMALE INSERT | TPE | BLACK |
| 2 | OVERMOLD | TPE | GRAY |
| 1 | CABLE #14 AWG | PVC | GRAY |
| ITEM | COMPONENT | MATERIAL | FINISH |

(D)
(D)
(D)

| | | | | |
|--|---|------------------------|--|----------------------------|
| FUNCTIONAL SYMBOLS | THIS DRAWING CONTAINS INFORMATION THAT IS PROPRIETARY TO MOLEX ELECTRONIC TECHNOLOGIES, LLC AND SHOULD NOT BE USED WITHOUT WRITTEN PERMISSION | | CURRENT REV DESC: INSERT & OVERMOLD WERE PVC. ADDED IEC VOLTAGE & TOL CHART. MODIFIED PN TABLE | |
| | DIMENSION UNITS | SCALE | | |
| (FA)=0 | INCH/MM | NTS | | |
| (FC)=0 | GENERAL TOLERANCES (UNLESS SPECIFIED) | | | |
| (FP)=0 | mm | | INCH | |
| | 4 PLACES | ±---- | ±---- | |
| DIVISIONAL SYMBOLS | 3 PLACES | ±---- | ±---- | |
| | 2 PLACES | ±---- | ±---- | |
| | 1 PLACE | ±---- | ±---- | |
| | 0 PLACES | ±---- | ±---- | |
| | ANGULAR TOL ± ---- ° | | | |
| DRAFT WHERE APPLICABLE MUST REMAIN WITHIN DIMENSIONS | | THIRD ANGLE PROJECTION | DRAWING | SERIES |
| | | | C-SIZE | 130062 |
| DOCUMENT STATUS | | P1 | RELEASE DATE | 2022/03/11 14:29:49 |
| DOCUMENT NUMBER | | SD-130062-017 | | DOC TYPE/DOC PART/REVISION |
| MATERIAL NUMBER | | SEE CHART | CUSTOMER | GENERAL MARKET |
| SHEET NUMBER | | 1 OF 1 | | |



BRAD POWER CORDSET, A-SIZE
4 POLE, MALE-FEMALE, STRAIGHT,
SINGLE KEY, #14 AWG

PRODUCT CUSTOMER DRAWING