

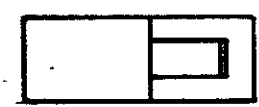
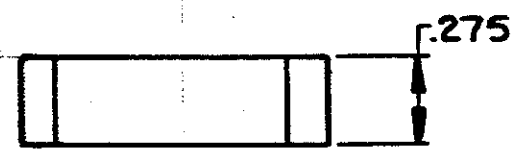
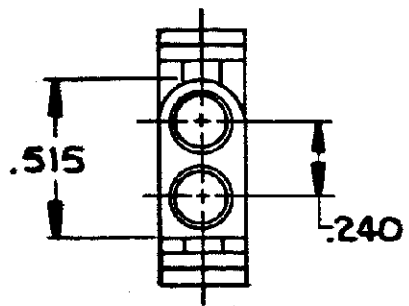
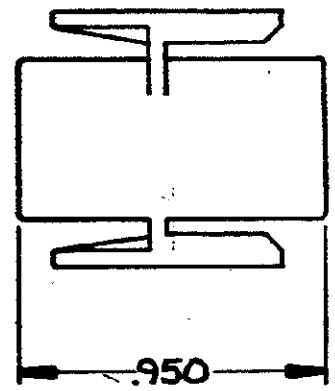
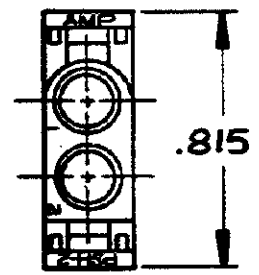
DRAWING MADE IN THIRD ANGLE PROJECTION

THIS DRAWING IS UNPUBLISHED. RELEASED FOR PUBLICATION  
 © COPYRIGHT

LOC CM DIST 53

REVISIONS						
P	F	ZONE	LTR	DESCRIPTION	DATE	APPROVED
	✓		D1	REVISED PER ECO-11-005294	07 APR 11	HMR

D  
C  
B  
A



OPTIONAL CONSTRUCTION

- 2. ACCEPTS .140 SERIES SOCKETS.
- 3. MATES WITH CAP 350345.

1-350344-0

PART NO

UNLESS OTHERWISE SPECIFIED DIMENSIONS ARE IN INCHES. TOLERANCES ON: DECIMALS ± .005 ANGLES ±	CONTRACT NO		TE Connectivity	
	DS <i>White box 7-29-86</i> CHH <i>9-2-86</i>			
	MATERIAL		NAME	
	NYLON UL94V-2 APPD <i>7/7/86</i>		PLUG, 2 CIRCUIT, .140 MATE-N-LOK	
COLOR	DSGN APPD	SIZE	FSCM NO	DRAWING NO
NATURAL		B	00779	350344
	OTHER APPD	SCALE	SHEET	
		2:1	1 OF 1	

CUSTOMER DRAWING