

NOTE: GOES WITH FIM'S 998127 AND 998137

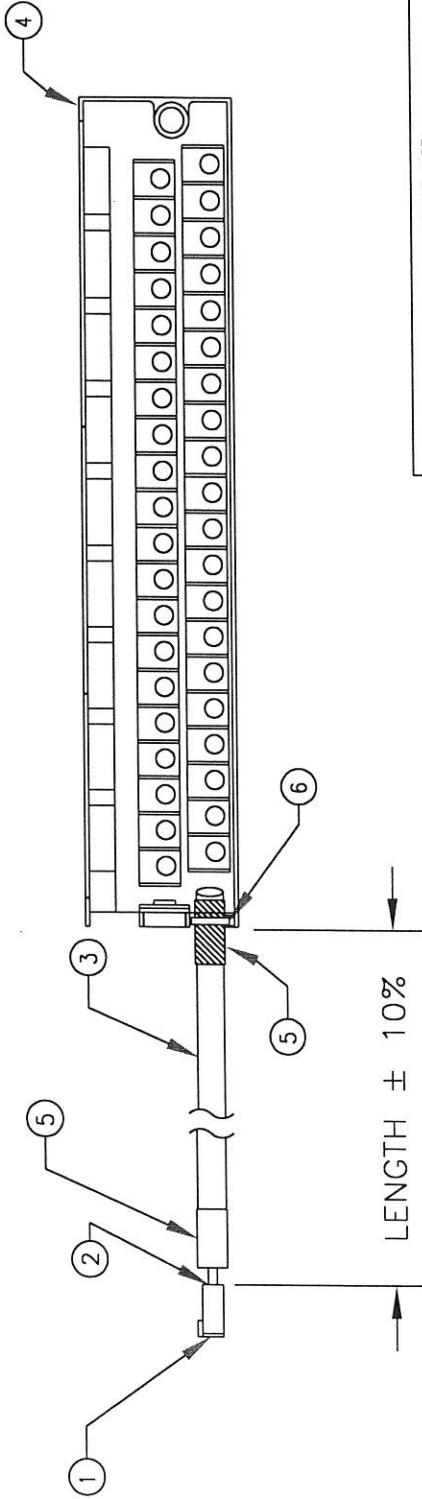
REV. DESCRIPTION		DATE	CMPLT. BY	APPRV.
REV.				

GE TERMINAL BLOCK
PIN NUMBERS



CRIMP AND POKE CONNECTOR
PIN NUMBERS
(WIRE INSERTION SIDE)

2	1
4	3
6	5
8	7
10	9
12	11
14	13
16	15
18	17
20	19
22	21
24	23
26	25
28	27
30	29
32	31
34	33
36	35
38	37
40	39



NOTES:

1. CUT CABLE AND STRIP CONDUCTORS AS REQUIRED TO ACHIEVE LENGTH SPECIFIED IN TABLE.
2. CUT UNUSED WIRE ENDS BACK TO THE JACKET BEFORE HEATING SHRINK TUBING.
3. INCLUDE THE PROPER CATALOG NO.(SEE BELOW) ON A CABLE WRAP LABEL:
WEIDMULLER CATALOG # "XXXXXX"

CATALOG NO.	LENGTH (m)
998128	0.5
998129	1.0
998130	1.5
998131	2.0

PARTS LIST		
BUB. #	DESCRIPTION	QTY.
1	CONNECTOR, 20-PIN, FEMALE	1
2	CRIMP AND POKE TERMINAL	20
3	CABLE, 20-COND, 22AWG	A/R
4	TERMINAL BLOCK, IC697ACC700	1
5	SHRINK TUBING	100mm
6	TIE WRAP, NYLON, 4"	6

Weidmüller
WEIDMULLER INC.
821 SOUTHLAKE BLVD.
RICHMOND, VIRGINIA 23236

CAT. NO. VARIOUS
DRWN BY PSH
APPROVED *MS*

REL. DATE 10/23/97

DISTRIBUTION: P/N DWG. PROD. INSP. OTHER

TOLERANCE ON :
 +/ - 0.508 mm
 X X +/ - 0.254 mm
 XXX +/ - 0.127 mm
 * +/ - .30
 UNLESS OTHERWISE SPECIFIED ALL DIMENSIONS ARE IN MILLIMETERS
 () INDICATES REFERENCE DIMENSIONS

CABLE ASSEMBLY
GE FPA/C 9070-251, 640, 671

PRODUCTION RELEASE PAGE 1 SCALE: DO NOT SCALE SIZE: A SHEET 1 OF 2

PROPRIETARY RIGHTS :
 THIS DRAWING, DESIGN AND ALL ENGINEERING CONCEPTS WHICH INVOLVE PROPRIETARY AND CONFIDENTIAL INFORMATION OF WEIDMULLER INC. AND THIS DOCUMENT OR ITS CONTENTS MAY NOT BE REPRODUCED OR USED IN ANY MANNER WITHOUT THE WRITTEN AUTHORITY FROM WEIDMULLER INC. IN RICHMOND, VIRGINIA.

DRAWING NUMBER 1100361
REV. 0