

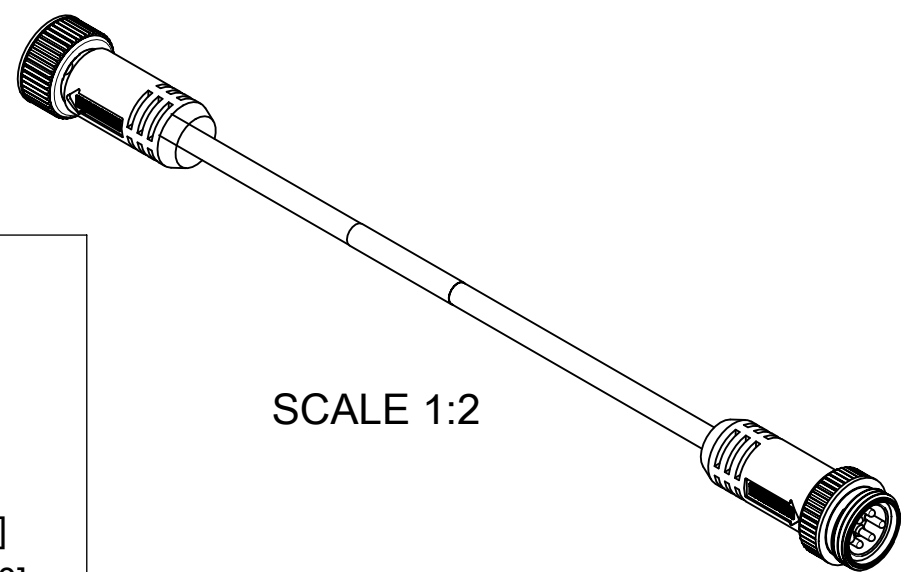
MATERIAL NO.	ENGINEERING NO.	FINISHED LENGTH
1300101242	115030A01F010	1FT (0.3M)
1300101717	115030A01M420	137FT 9.5IN (42M)
1300101699	115030A01M670	219FT 9.8IN (67M)

PART NO. MATRIX
115030A01-M005

FINISHED LENGTH
F020=2 FEET
F200=20 FEET
M005= 0.5 METER
M010= 1 METER
M100= 10 METER

CABLE LENGTH TOLERANCES

<.3M [1FT]	+19mm-0 [+0.75in-0]
.3 - .9M [1 - 3FT]	+44.5mm-0 [+1.75in-0]
.9 - 1.8M [3 - 6FT]	+55.6mm-0 [+2.19in-0]
1.8 - 3.7M [6 - 12FT]	+88.9mm-0 [+3.50in-0]
3.7 - 7.3M [12 - 24FT]	+165.1mm-0 [+6.50in-0]
7.3-14.6M [24 - 48FT]	+317.5mm-0 [+12.50in-0]
14.6 - 30.5M [48-100FT]	+622.3mm-0 [+24.50in-0]
OVER 30M [100FT]	+2% OF FINISHED LENGTH

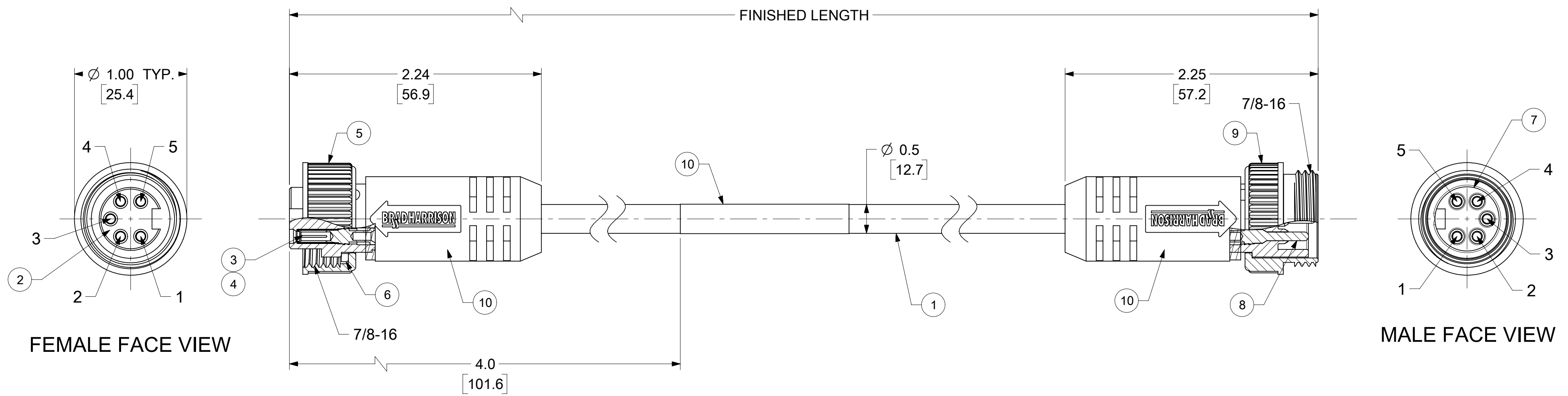


SCALE 1:2

- NOTES:**
- MATERIAL: AS NOTED
 - FINISH: AS NOTED
 - ELECTRICAL SPECIFICATIONS
VOLTAGE RATING: 400V PER IEC60664
600V PER UL2238
CURRENT RATING: 8A
 - TEMP RANGE: -20°C TO +105°C
 - PROTECTION: IP67 (WHEN MATED)
 - UL RECOGNIZED FILE: E152210
CSA CERTIFIED FILE: LR6837
 - ALL DIMS ARE FOR REFERENCE UNLESS TOLERANCED OR NOTED OTHERWISE

WIRING DIAGRAM

1	WHITE	1
2	RED	2
3	GREEN/YELLOW	3
4	ORANGE	4
5	BLACK	5

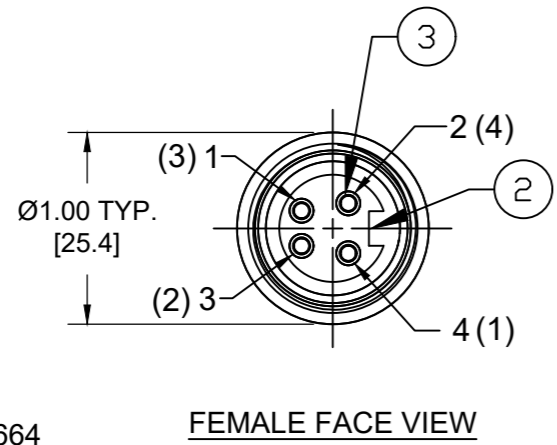


11	LABEL	VINYL	BLACK/YELLOW	
10	OVERMOLD	TPE	YELLOW	(A)
9	COUPLING NUT, MALE	ZINC DIE-CAST	BLACK E-COAT	
8	CONTACT PIN	COPPER ALLOY	SELECTIVE GOLD/NICKEL	
7	MALE INSERT	TPE	YELLOW	(A)
6	FRICITION RING	NYLON	NATURAL	
5	COUPLING NUT, FEMALE	ZINC DIE-CAST	BLACK E-COAT	
4	SLEEVE	STAINLESS STEEL	-	
3	CONTACT SOCKET	COPPER ALLOY	SELECTIVE GOLD/NICKEL	
2	FEMALE INSERT	TPE	YELLOW	(A)
1	CABLE, 16/5 AWG	PVC JACKET	YELLOW	
ITEM	DESCRIPTION	MATERIAL	FINISH	

THIS DRAWING CONTAINS INFORMATION THAT IS PROPRIETARY TO MOLEX ELECTRONIC TECHNOLOGIES, LLC AND SHOULD NOT BE USED WITHOUT WRITTEN PERMISSION

DIMENSION UNITS	SCALE	CURRENT REV DESC: INITIAL RELEASE, PVC CHANGED TO TPE	molex		
INCH/MM	1.5:1				
GENERAL TOLERANCES (UNLESS SPECIFIED)			MINI-CHANGE CORDSET, A SIZE 5 POLE, MALE-FEMALE, STRAIGHT, SINGLE KEY, 16 AWG		
4 PLACES	±	±	PRODUCT CUSTOMER DRAWING		
3 PLACES	±	±	DOCUMENT NUMBER		
2 PLACES	±	±	DOC TYPE DOC PART REVISION		
1 PLACE	±	±	1300101253 PSD 000 A		
0 PLACES	±	±	MATERIAL NUMBER CUSTOMER SHEET NUMBER		
ANGULAR TOL	±	°	SEE TABLE GENERAL MARKET 1 OF 1		
DRAFT WHERE APPLICABLE MUST REMAIN WITHIN DIMENSIONS		THIRD ANGLE PROJECTION	DRAWING	SERIES	
			C-SIZE	130010	

PART NO.	ENGINEERING NO.	FINISHED LENGTH
1300100863	114030K12M005	0.5M
1300100864	114030K12M010	1.0M
1300100865	114030K12M020	2.0M

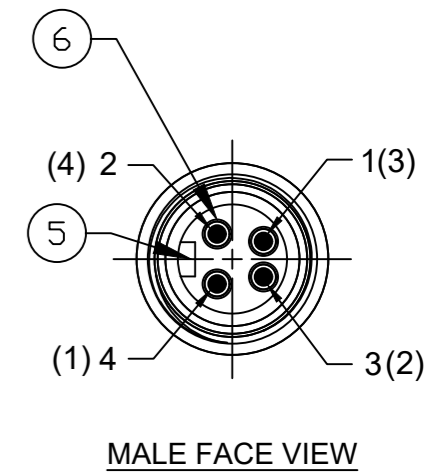
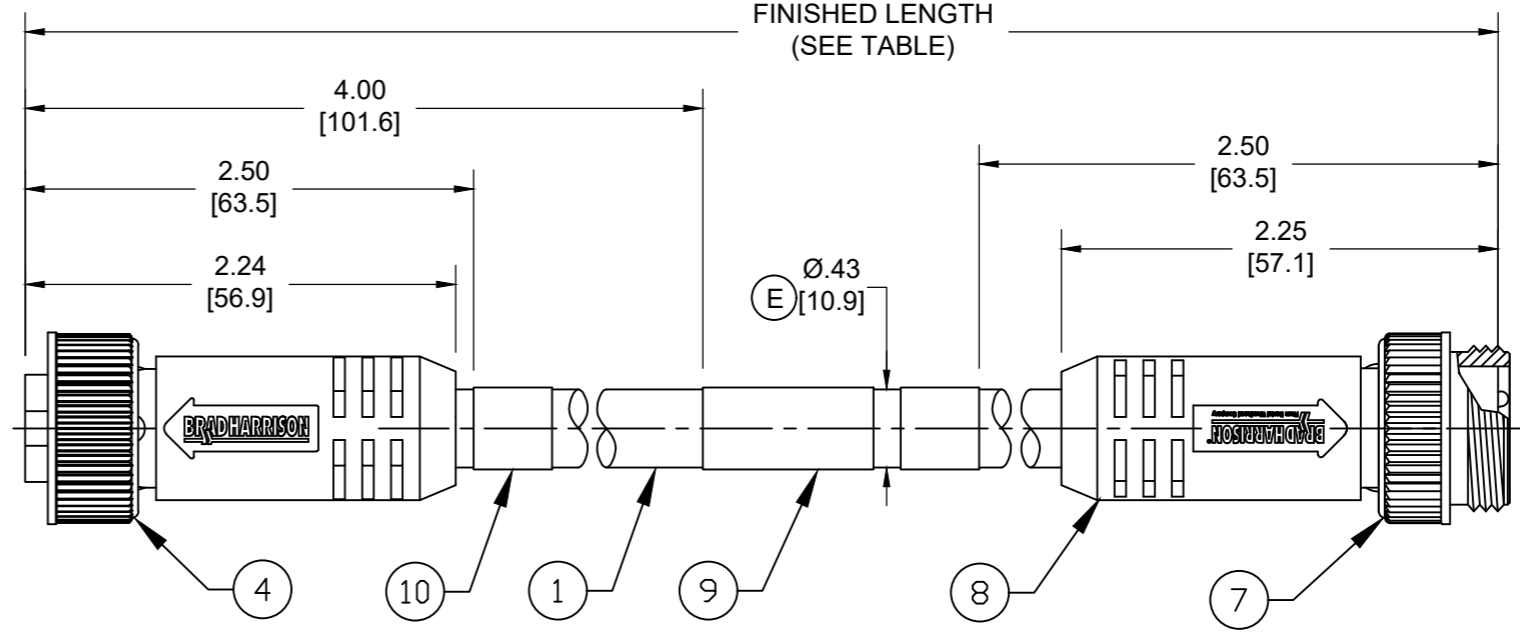


- NOTES:**
- MATERIAL: SEE TABLE
 - FINISH: SEE TABLE
 - ELECTRICAL:
VOLTAGE: 483V PER IEC 60664
600V PER UL 2238
CURRENT: 10A (E)
 - TEMP RATING: -20°C TO +90°C
 - PROTECTION: IP67 (WHEN MATED)
 - COUPLING THREAD: 7/8-16
 - UL LISTED FILE: E152210
 - ALL DIMENSIONS ARE FOR REFERENCE UNLESS TOLERANCED OR NOTED OTHERWISE
 - PARTS WITH "H" IN MATRIX HAVE TWO ID CARRIERS ONE ON EACH SIDE

MECHANICAL CHARACTERISTICS:

TORSIONAL FLEX TEST	20 MILLION CYCLES PER MIL-C-13777G
BEND FLEX TEST	20 MILLION CYCLES PER MIL-C-13777G
WELD SLAG RESISTANCE	WOODHEAD STANDARD S-300

ITEM	COMPONENT	MATERIAL	FINISH
10	ID CARRIER	PVC	CLEAR
9	WRAP LABEL	VINYL	BLACK/YELLOW
8	OVERMOLD	TPE	YELLOW
7	COUPLING, MALE	ZINC DIE-CAST	BLACK
6	CONTACT PIN	COPPER ALLOY	GOLD PLATED
5	MALE INSERT (A-SIZE)	TPE	YELLOW
4	COUPLING, FEMALE	ZINC DIE-CAST	BLACK
3	CONTACT SOCKET	COPPER ALLOY	GOLD PLATED
2	FEMALE INSERT (A-SIZE)	TPE	YELLOW
1	CABLE, 16/4 TC-ER (HI-FLEX)	TPE JACKET	YELLOW



CENELEC EN 50 044 PINOUT SHOWN (SAE-J-1738A SHOWN IN PARENTHESIS)

4 (1)	BLACK	4 (1)
3 (2)	BLUE	3 (2)
1 (3)	BROWN	1 (3)
2 (4)	WHITE	2 (4)

**PART NO. MATRIX
114030K12XXXXH**

LENGTH ID CARRIER
M010 = 1 METER H - SEE NOTE 8
M100 = 10 METER BLANK - NO ID CARRIERS
F050 = 5 FEET
F500 = 50 FEET
T=100 METER
T001 = 101 METER
T010 = 110 METER

CABLE LENGTH TOLERANCES

<.3M [1FT]:	+19mm-0 [+0.75in-0]
.3 - .9M [1 - 3FT]:	+44.5mm-0 [+1.75in-0]
.9 - 1.8M [3 - 6FT]:	+55.6mm-0 [+2.19in-0]
1.8 - 3.7M [6 - 12FT]:	+88.9mm-0 [+3.50in-0]
3.7 - 7.3M [12 - 24FT]:	+165.1mm-0 [+6.50in-0]
7.3-14.6M [24 - 48FT]:	+317.5mm-0 [+12.50in-0]
14.6 - 30.5M [48-100FT]:	+622.3mm-0 [+24.50in-0]
OVER 30M [100FT]	+2% OF FINISHED LENGTH

FUNCTIONAL SYMBOLS F=0 C=0 P=0	THIS DRAWING CONTAINS INFORMATION THAT IS PROPRIETARY TO MOLEX ELECTRONIC TECHNOLOGIES, LLC AND SHOULD NOT BE USED WITHOUT WRITTEN PERMISSION		CURRENT REV DESC: UPDATED AMPERAGE AND TEMPLATE	
	DIMENSION UNITS	SCALE	 MINI-CHANGE CORDSET 4P MALE/FEMALE ST/ST #16/4 TPE CABLE	
	INCH/MM	NTS		
	GENERAL TOLERANCES (UNLESS SPECIFIED)		EC NO: 646474 DRWN: ALEON01 2020/10/14 CHK'D: CCHRSTKA 2020/10/19 APPR: BWOODMAN 2020/10/21	
DIVISIONAL SYMBOLS	4 PLACES ±--- ±---	INITIAL REVISION:		
	3 PLACES ±--- ±---	DRWN: VOU 2012/01/19		
	2 PLACES ±--- ±---	APPR: JFMURPHY 2012/03/08		
	1 PLACE ±--- ±---	DOCUMENT NUMBER		
	0 PLACES ±--- ±---	SD-130010-016		
	ANGULAR TOL ± --- °	DOC TYPE/DOC PART/REVISION		
	DRAFT WHERE APPLICABLE MUST REMAIN WITHIN DIMENSIONS	PSD 001 E		
	THIRD ANGLE PROJECTION	MATERIAL NUMBER		
	DRAWING	SEE CHART		
	SERIES	CUSTOMER		
	B-SIZE	GENERAL MARKET		
	130010	SHEET NUMBER		
		1 OF 1		