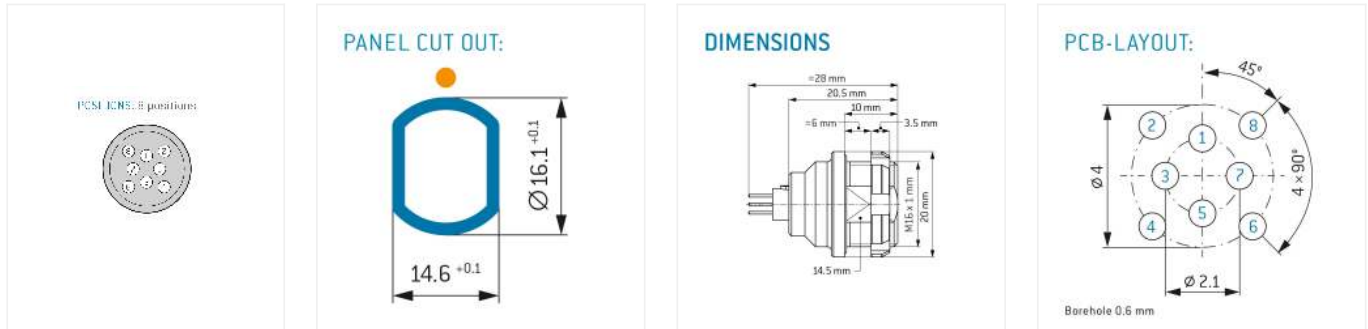


G31KCC-PD8QC00-0000
series_k, type_g3



General information

Part number	G31KCC-PD8QC00-0000
Termination	pcb
Size	1
Locking principle	break , push
Coding	c_key



Contact insert description

Number of contacts	8
Contact type	sockets
Contact diameter	05mm
Insulator material	peek
Termination	pcb
Termination diameter	05mm
Data transmission	ethernet_1

reverse_gender_on_request

Connection diagram

con_ethernet_10

Technical information

Max. creepage and air clearance distance	05_mm	07_mm
Nominal current single contact	04_a	iec_60512_5_2
Nominal current insert	2,6 A	vde_0298_4
Test voltage	1_kv_ac	sae_13441

safety_text

Mechanical and environmental data

Degree of protection*	ip68
Operating temperature	40_120_c
Mating cycles	5000

mated

Material and surface treatments

Housing	m_chrome
Contact	cu_alloy_gold

data_text

safety_text_2
data_text
ul_text
illustrative_text