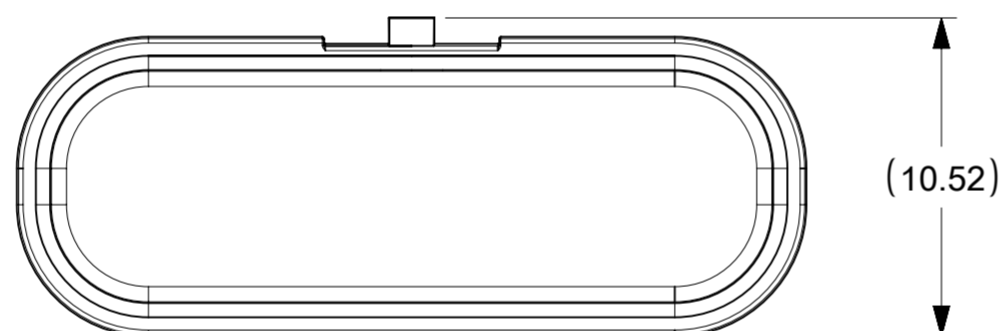
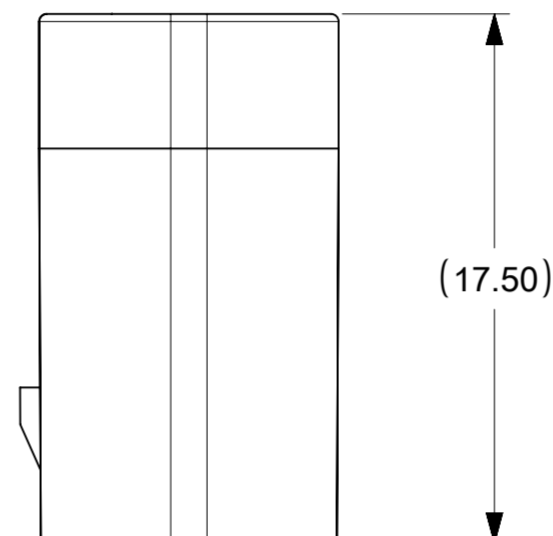
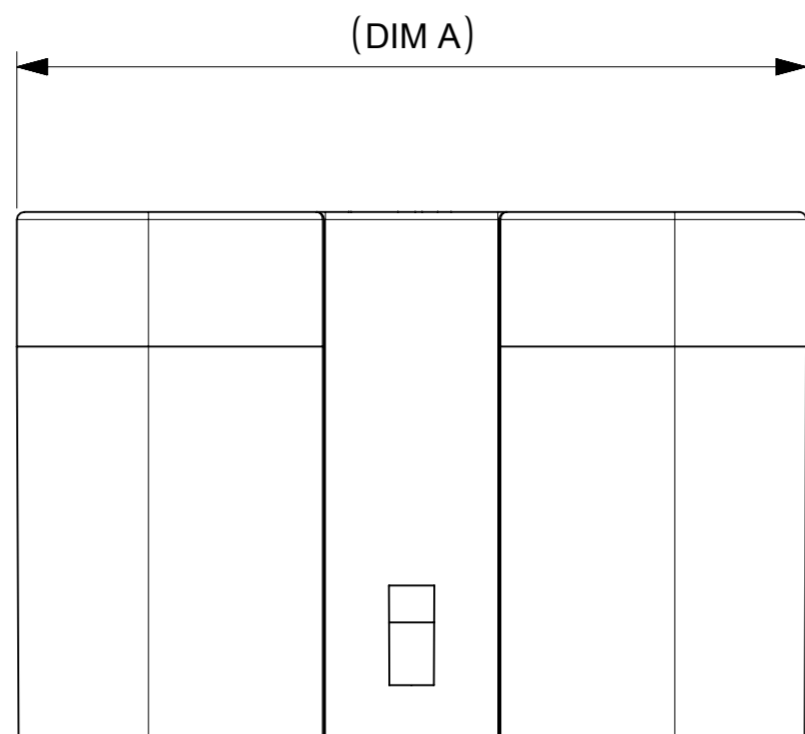
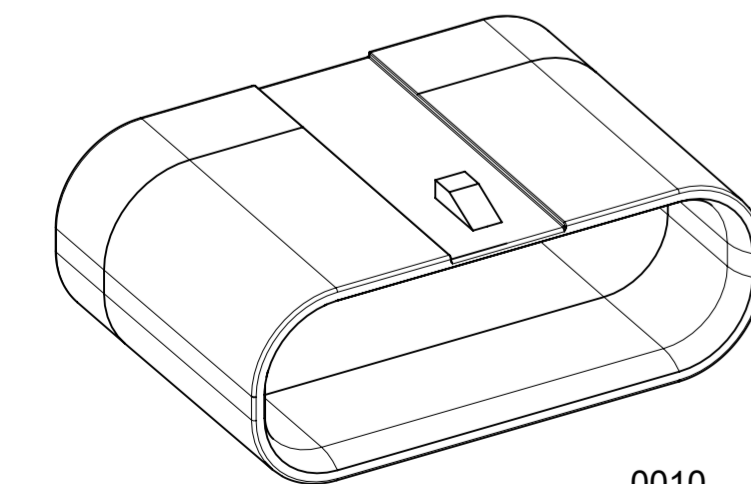
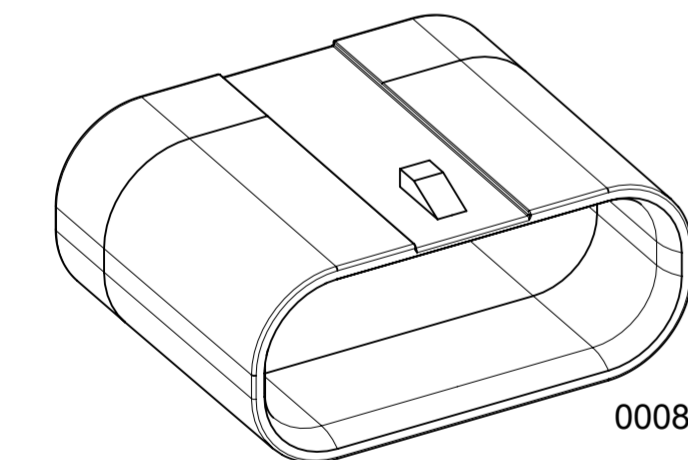
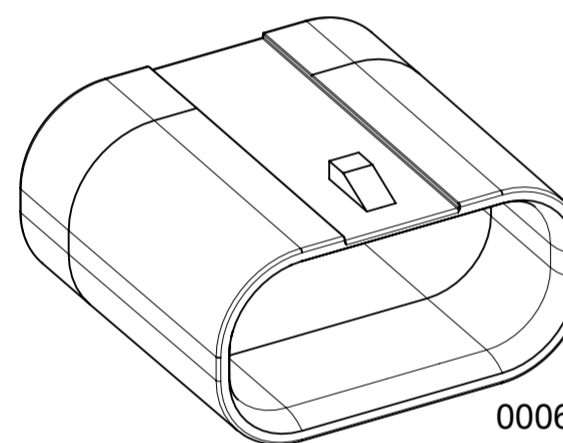
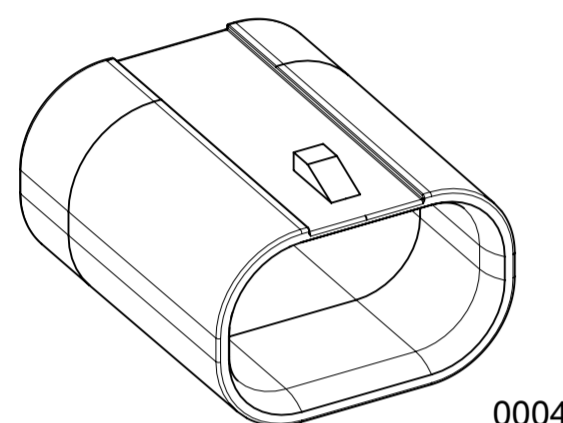
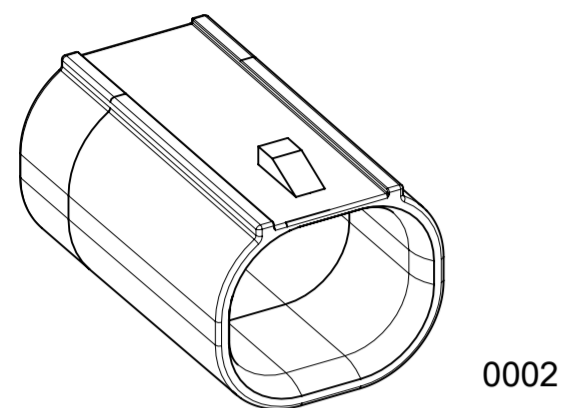


CONFIGURATIONS
220424-XXXX
SCALE 3:1



1. GENERAL:
 - 1.1 PRODUCT SPECIFICATION: 2042200000-PS/ 2077760000-PS
 - 1.2 APPLICATION SPECIFICATION: 2042200000-AS/ 2077760000-AS
 - 1.3 TEST SUMMARY: 2042200000-TS
 - 1.4 PACKAGING SPECIFICATION: 2204240000-PK
 - 1.5 COSMETIC SPECIFICATION: PS-45499-002 CLASS C
 - 1.6 MATES WITH: 204220, 207782 (SEE TABLE)
2. DESIGN - MATERIALS:
 - 2.1 MATERIAL: PA66 NATURAL, UL94-V0

PART NUMBER	DIM A	SQUBA 1.8	SQUBA 3.6
2204240002	11.60	2 CIRCUIT RECEPTACLE	-
2204240004	15.20	4 CIRCUIT RECEPTACLE	2 CIRCUIT RECEPTACLE
2204240006	18.80	6 CIRCUIT RECEPTACLE	3 CIRCUIT RECEPTACLE
2204240008	22.40	8 CIRCUIT RECEPTACLE	4 CIRCUIT RECEPTACLE
2204240010	25.80	10 CIRCUIT RECEPTACLE	-

FUNCTIONAL SYMBOLS $\nabla_A = 0$ $\nabla_C = 0$ $\nabla_P = 4$ DIVISIONAL SYMBOLS	THIS DRAWING CONTAINS INFORMATION THAT IS PROPRIETARY TO MOLEX ELECTRONIC TECHNOLOGIES, LLC AND SHOULD NOT BE USED WITHOUT WRITTEN PERMISSION		<div style="text-align: center; font-size: 24pt; font-weight: bold;">molex</div> <p>SQUBA RECEPTACLE WEATHER CAP</p> <p>PRODUCT CUSTOMER DRAWING</p>					
	DIMENSION UNITS	SCALE					CURRENT REV DESC:	
	mm	4:1	EC NO: 732935		2204240000-SD	PSD	000	A
	GENERAL TOLERANCES (UNLESS SPECIFIED)		DRWN: VENKAS5 2022/07/05					
ANGULAR TOL ± °		CHK'D: VENKAS5 2022/12/21						
4 PLACES ±		APPR: MRAMAKRISHNA 2022/12/22						
3 PLACES ±		INITIAL REVISION:						
2 PLACES ± 0.25		DRWN: VENKAS5 2022/07/05						
1 PLACE ±		APPR: MRAMAKRISHNA 2022/12/22						
0 PLACES ±								
DRAFT WHERE APPLICABLE MUST REMAIN WITHIN DIMENSIONS		THIRD ANGLE PROJECTION	DRAWING	SERIES	MATERIAL NUMBER	CUSTOMER	SHEET NUMBER	
			A2-SIZE	220424	SEE TABLE	GENERAL MARKET	1 OF 1	