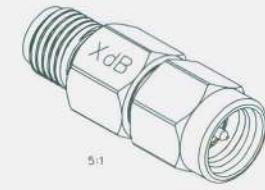
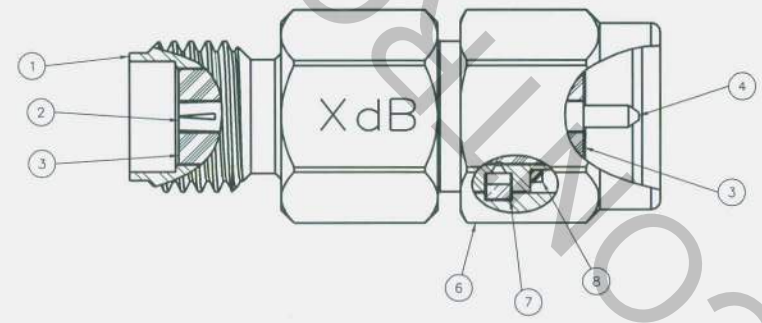
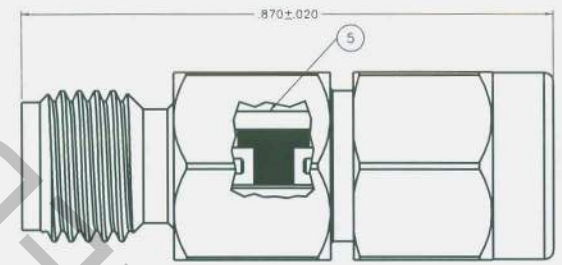
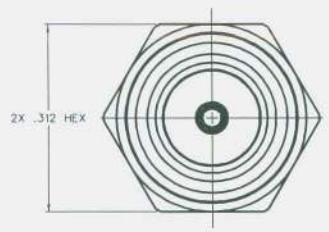


PART NUMBER	ATTENUATION "X" dB	ITEM (1) BODY	ITEM (2) CONTACT JACK	ITEM (3) INSULATOR/2X	ITEM (4) CONTACT PLUG	ITEM (5) ATTENUATOR	ITEM (6) COUPLING NUT	ITEM (7) RETENTION SPRING	ITEM (8) GASKET
141-3901-801	1	STAINLESS STEEL	BERYLLIUM COPPER	TEFLON	BRASS	THIN FILM LAMFACON METRODE	STAINLESS STEEL	BERYLLIUM COPPER	SILICONE RUBBER
141-3901-802	2	PASSIVATED	GOLD PL. 00003 MIN OVER		GOLD PL. 00003 MIN OVER	ALUMINA SUBSTRATE	PASSIVATED	UNPLATED	
141-3901-803	3		NICKEL PL. 00005 MIN OVER		NICKEL PL. 00005 MIN OVER				
141-3901-804	4		COPPER PL. 00005 MIN		COPPER PL. 00005 MIN				
141-3901-805	5								
141-3901-806	6								
141-3901-807	7								
141-3901-808	8								
141-3901-809	9								
141-3901-810	10								

*Thick film
oxide
(RuO2)*



5:1



NOTES:

1. SPECIFICATIONS

ELECTRICAL:
IMPEDANCE: 50 OHMS NOMINAL
FREQUENCY RANGE: 0-6 GHz
ATTENUATION ACCURACY:

dB	DC-4 GHz	4-6 GHz
1-3	±0.3	±0.5
4-6	±0.4	±0.5
7-10	±0.5	±0.5

VSWR MAX:

dB	DC-2.5 GHz	2.5-4 GHz	4-6 GHz
1-3	1.15:1	1.20:1	1.25:1
4-6	1.15:1	1.20:1	1.25:1
7-10	1.15:1	1.25:1	1.30:1

AVERAGE INPUT POWER: 2W MAX AT +25°C
DERATED LINEARLY TO 0.5W MAX AT -125°C

MECHANICAL:

MATING ENGAGEMENT: MIL-STD-348A, SERIES SMA
ENGAGE/DISENGAGE FORCE: 2 IN-LBS MAX
MATING TORQUE: 8 IN-LBS MAX
COUPLING PROOF TORQUE: 15 IN-LBS MIN
COUPLING NUT RETENTION: 80 LBS MIN
DURABILITY: 500 CYCLES MIN

ENVIRONMENTAL:

OPERATING TEMPERATURE: -55°C TO +125°C
THERMAL SHOCK: MIL-STD-202, METHOD 107, CONDITION B
(EXCEPT HIGH TEMP -100°C)
SHOCK: MIL-STD-202, METHOD 215, CONDITION 1
VIBRATION: MIL-STD-202, METHOD 204, CONDITION D

DRAWING NO.	
D-141-3901-801/810	
REVISIONS	
ENGINEERING RELEASE	
1	5-23-08 141-3901-801/810 5-27-08

CUSTOMER DRAWING

THIS DRAWING TO BE INTERPRETED
PER ASME Y 14.5M - 1994
"µSTATION"

COMPANY CONFIDENTIAL

TO: FRANCHISE UNLESS OTHERWISE SPECIFIED	DRAWN BY	DATE
DECIMALS	PAT	5-9-08
XX	CHECKED BY	DATE
	RB	5-27-08
XXX REF	APPROVED BY	DATE
	JRK	5-27-08
MATL	RELEASE DATE	5-27-08
FINISH	U/M	INCH
	SCALE	10:1

cinch Connectivity Solutions
P.O. Box 1132
Waseca, MN 56093
1-800-247-8256

TITLE: SMA 6 GHz ATTENUATOR, PLUG TO JACK, HEX BODY

SHEET: 2 of 2
DRAWING NO.: D-141-3901-801/810